

KATALOG

REZERVNIH DELOVA
PARTS LIST
PIECES DE RECHANGE
PIEZAS DE REPUESTO

IMT
542

019501

www.traktor.rs

KATALOZI 0641184342

Da bi katalog rezervnih delova za traktor IMT-542 bio kompletan ovu dopunu koristiti uz K.R.D. traktora IMT-540 br. 019033.

Dopuna isključuje sledeće sklopove u katalogu:

Umesto sl. 10 dolazi sl. 1

Umesto sl. 11 dolazi sl. 2

Umesto sl. 14 dolazi sl. 3

Umesto sl. 17 dolazi sl. 4

Parts list IMT-542 use with parts list IMT-540 No 019033.

Parts list IMT-542 excludes figure 10, 11, 14, and 17 (IMT-540)

Pieces de rechange IMT-542 utilise avec pieces de rechange IMT-540 No 019033

Pieces de rechange IMT-542 eliminer la figure 10, 11, 14 et 17 (IMT-540)

Piezas de repuesto IMT-542 usado con piezas de repuesto IMT-540 No 019033

Piezas de repuesto IMT-542 elimina figura 10, 11, 14 al 17 (IMT-540)

TRAKTOR IMT-542 SA MOTOROM M33/T
IMT-542 TRACTOR WITH M33/T ENGINE
TRACTEUR IMT-542 AVEC MOTEUR M33/T
TRACTOR IMT-542 CON MOTOR M33/T



SLIKA 1 — MENJAČKA KUTIJA
 FIGURE 1 — TRANSMISSION CASE
 FIGURE 1 — CARTER DE BOITE DE VITESSES
 FIGURA 1 — CAJA DE LA TRANSMISION

Poz. broj	Broj dela	Naziv	Description	Designation	Descripcion	Kom.
1	547.03.100	Menjačka kutija	Transmission case	Boite de vitesses	Caja	1
2	532.03.102	Čaura	Bush	Bague	Buje	2
3	532.03.103	Čaura	Bush	Bague	Buje	2
4	IS 2291—5×30	Rascepka	Pin	Goupille	Chaveta	1
5	532.03.605	Zaptivka	Gasket	Joint	Junta	1
6	560.03.641	Kućište	Retainer	Boitier	Alojamento	1
7	533.03.606	Zavrtka	Screw	Vis	Tornillo	4
8	560.04.001	Nosač	Carrier	Transporteur	Portador	1
9	560.04.010	Ležaj	Bearing	Roulement	Cojinete	1
10	560.04.002	Opruga	Spring	Ressort	Resorte	2
11	533.24.011	Viljuška	Fork	Fourchette	Horquillo	1
12	555.04.202	Zavrtka	Screw	Vis	Tornillo	2
13	IS 2104—M16×30	Zavrtka	Screw	Vis	Tornillo	4
14	532.03.804	Poklopac	Cover	Porte	Tapa	1
15	532.03.803	Zaptivka	Gasket	Joint	Junta	1
16	560.05.001	Poklopac	Cover	Porte	Tapa	1
17	532.05.001	Zaptivka	Gasket	Joint	Junta	1
18	IS 2104—M12×30	Zavrtka	Screw	Vis	Tornillo	6
	IS 2281—12	Podloška	Washer	Rondelle	Arandela	8
19	IS 2104—M12×60	Zavrtka	Screw	Vis	Tornillo	6
20	533.05.137	Zatvarač	Plug	Bouchon	Tapon	1
21	532.01.002	Zaptivka	Gasket	Joint	Junta	1
22	532.01.060	Čep	Plug	Bouchon	Tapon	1
23	560.03.643	Prsten	Ring	Circlip	Aro retén	1
24	560.03.660	Simering	Gasket	Joint	Junta	1
25	560.03.650	Ležaj	Bearing	Roulement	Cojinte	1
26	IS 2285—25	Čep limeni	Plug	Bouchon	Tapon	1

NAPOMENE:

NOTES:

NOTER:

NOTAS:

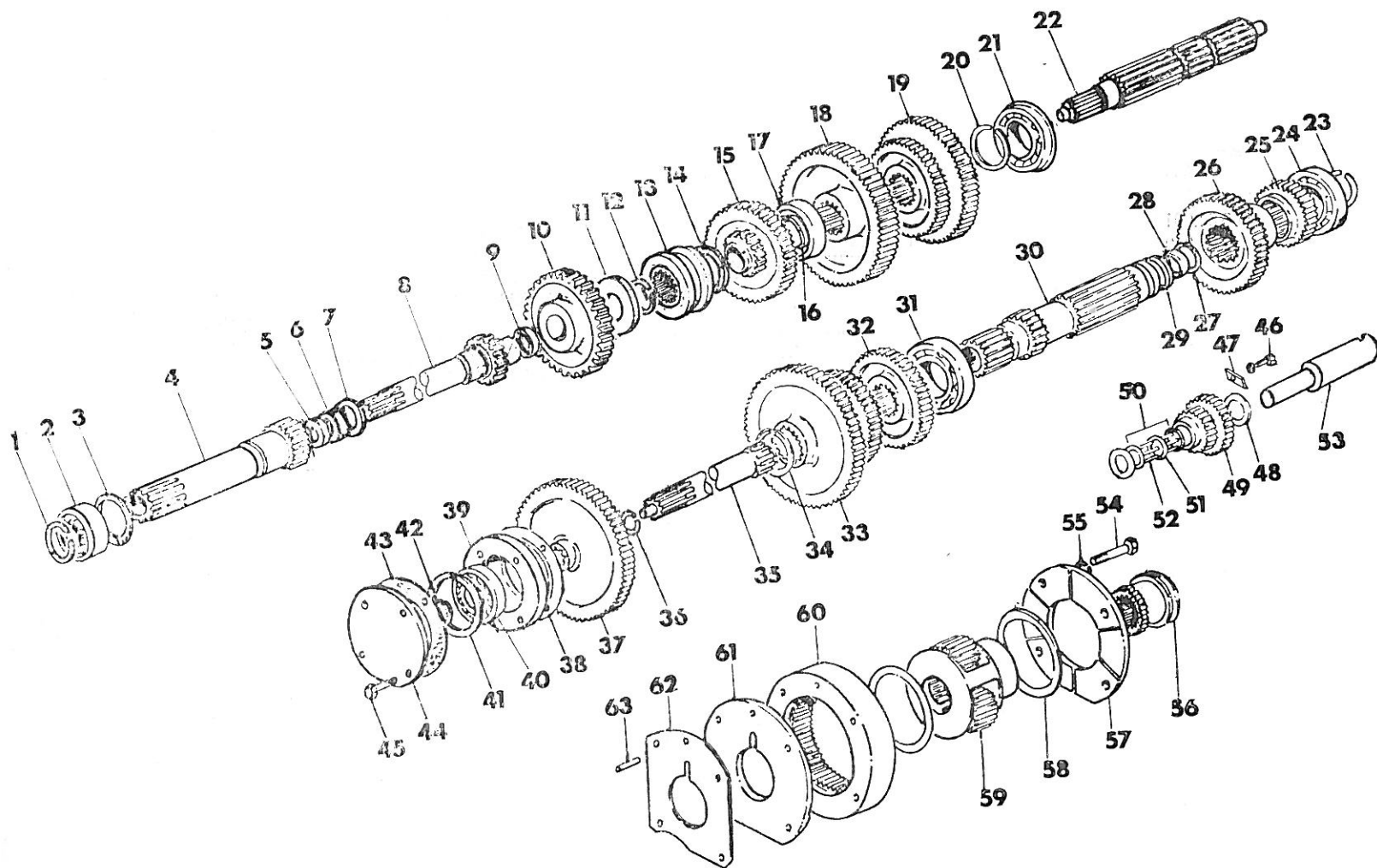
(A) Obuhvata pozicije br. 2, 3, 4 i 26

(A) Inclides items № 2, 3, 4 and 26

(A) Comprend les postes № 2, 3, 4 et 26

(A) Incluye las posiciones 2, 3, 4 y 26

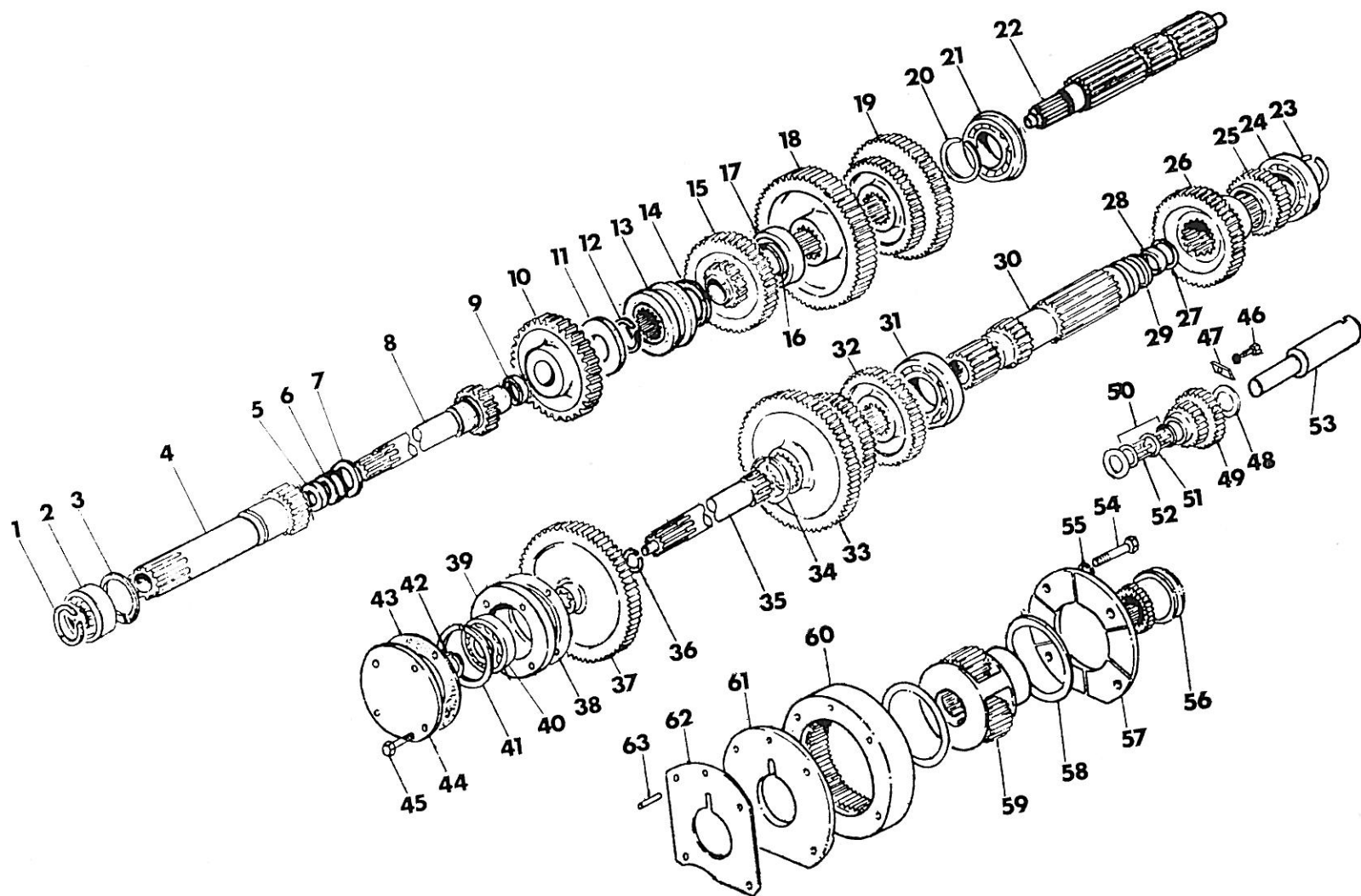
SLIKA 2 — MENJAČ
 FIGURE 2 — TRANSMISSION
 FIGURE 2 — BOITE DE VITESSES
 FIGURE 2 — TRANSMISSION



SLIKA 2 — MENJAČ
 FIGURE 2 — TRANSMISSION
 FIGURE 2 — BOITE DE VITESSES
 FIGURA 2 — TRANSMISION

Poz. broj	Broj dela	Naziv	Description	Designation	Description	Kom.
	547.03.000	Menjač	Transmission	Boite de vitesses ...	Transmision	1
1	560.03.643	Prsten unutrašnji ...	Ring	Circlip	Aro retén	1
2	560.03.630	Ležaj	Bearing	Roulement	Cojinete	1
3	532.03.305	Prsten spoljni	Ring	Circlip	Aro retén	1
4	567.03.621	Vratilo šuplje	Shaft	Arbre	Eje	1
5	532.23.610	Zaptivač	Seal	Joint	Sello	1
6	577.03.630	Ležaj igličasti	Bearing	Roulement	Cojinete	1
7	547.03.608	Podloška $\beta=1$ mm ...	Shim $\beta = 1$ mm ...	Cale $\beta = 1$ mm ...	Suplemento $\beta=1$ mm	pp
	547.03.609	Podloška $\beta=1,5$ mm	Shim $\beta = 1,5$ mm ...	Cale $\beta = 1,5$ mm ...	Suplemento $\beta=1,5$ mm	pp
8	547.03.706	Vratilo	Shaft	Arbre	Eje	1
9	560.01.860	Ležaj igličasti	Bearing	Roulement	Cojinete	1
10	547.03.450	Zupčanik	Gear	Pignon	Engranaje	1
11	547.03.449	Podloška	Washer	Rondelle	Arandela	1
12	560.01.922	Prsten spoljni	Ring	Circlip	Aro retén	1
13	(A) 577.03.558	Spojnica	Coupler	Manchon	Acoplader	1
	(A) 577.03.448	Nosač	Frame	Support	Suporte	1
	(A) 577.03.555	Podloška	Washer	Rondelle	Arandela	3
	(A) 577.03.556	Opruga	Spring	Ressort	Resorte	3
	(A) 577.03.557	Kuglica	Ball	Bille	Bola	3
	(A) 577.03.444	Konus	Olive	Olive	Oliva	2
14	547.03.434	Podloška	Washer	Rondelle	Arandela	1
15	547.03.420	Zupčanik	Gear	Pignon	Engranaje	1
16	547.03.407	Čaura	Bush	Bague	Buje	1
17	532.03.610	Ležaj	Bearing	Roulement	Cojinete	1
18	547.03.403	Zupčanik	Gear	Pignon	Engranaje	1
19	560.03.402	Zupčanik	Gear	Pignon	Engranaje	1
20	532.03.305	Prsten	Ring	Circlip	Aro retén	2
21	532.03.320	Ležaj kuglični	Bearing	Roulement	Cojinete	1
22	547.03.401	Vratilo	Shaft	Arbre	Eje	1
23	532.03.305	Prsten	Ring	Circlip	Aro retén	1
24	532.03.320	Ležaj kuglični	Bearing	Roulement	Cojinete	1
25	532.03.304	Zupčanik	Gear	Pignon	Engranaje	1
26	560.03.303	Zupčanik	Gear	Pignon	Engranaje	1
27	560.03.307	Prsten unutrašnji ...	Ring	Circlip	Aro retén	1
28	532.01.610	Ležaj igličasti	Bearing	Roulement	Cojinete	1
29	532.03.302	Prsten spoljni	Ring	Circlip	Aro retén	1
30	542.03.301	Vratilo posredno ...	Shaft	Arbre	Eje	1
	(B) 547.03.300	Vratilo posredno ...	Shaft	Arbre	Eje	1
31	547.03.301	Ležaj kuglični	Bearing	Roulement	Cojinete	1
32	547.03.308	Zupčanik	Gear	Pignon	Engranaje	1
33	547.03.306	Zupčanik	Gear	Pignon	Engranaje	1

SLIKA 2 — MENJAČ
 FIGURA 2 — TRANSMISION
 FIGURE 2 — BOITE DE VITESSES
 FIGURA 2 — TRANSMISION



SLIKA 2 — MENJAČ
FIGURE 2 — TRANSMISSION
FIGURE 2 — BOITE DE VITESSES
FIGURA 2 — TRANSMISION

Poz. broj	Broj dela	Naziv	Description	Designation	Descripcion	Kom.
34	532.03.307	Prsten spoljni	Ring	Circlip	Aro retén	1
35	547.03.901	Vratilo	Shaft	Arbre	Eje	1
36	577.03.903	Prsten spoljni	Ring	Circlip	Aro retén	1
37	547.03.904	Zupčanik	Gear	Pignon	Engranaje	1
38	532.23.906	Zaptivka	Gasket	Joint	Junta	1
39	560.03.905	Kučište	Retainer	Boiter	Caja	1
40	560.03.910	Ležaj kuglični	Bearing	Roulement	Cojinete	1
41	532.03.604	Prsten	Ring	Circlip	Aro retén	1
42	560.23.907	Prsten spoljni	Ring	Circlip	Aro retén	1
43	532.03.801	Zaptivka	Gasket	Joint	Junta	1
44	532.03.802	Poklopac	Plate	Plaque	Placa	1
45	IS 2703—M10×35	Zavrtka	Screw	Vis	Tornillo	4
46	IS 2103—M10×25	Zavrtka	Screw	Vis	Tornillo	1
	IS 2281—10	Podloška	Washer	Rondelle	Arandela	1
47	532.03.207	Držać	Stop	Arreteur	Seguro	1
48	532.03.205	Prsten	Ring	Circlip	Aro retén	2
49	560.03.201	Zupčanik	Gear	Pignon	Engranaje	1
50	532.03.204	Prsten	Ring	Circlip	Aro retén	1
51	532.03.202	Odstojnik	Spacer	Entretoise	Espaciador	1
52	532.03.203	Iglica	Roller	Rouleau	Aguja	56
53	532.03.208	Osovinica	Shaft	Axe	Eje	1
54	IS 2101—M10×65	Zavrtka	Screw	Vis	Tornillo	4
55	IS 2281—10	Podloška	Washer	Rondelle	Arandela	4
56	532.03.505	Glavčina	Coupler	Manchon	Acoplador	1
57	532.03.504	Poklopac	Plate	Plaque	Placa	1
58	532.03.501	Prsten	Washer	Rondelle	Arandela	2
59	532.03.510	Nosač satelita	Carrier	Porte Satellite	Porta-satelites	1
(C)	532.03.516	Podloška	Washer	Rondelle	Arandela	6
(C)	532.03.517	Osovinica	Shaft	Axe	Eje	3
(C)	532.03.515	Prsten	Washer	Rondelle	Arandela	9
(C)	532.03.514	Iglica	Roller	Rouleau	Aguja	132
(C)	532.03.513	Satelit	Pinion	Couronne	Engranaje	3
60	532.03.521	Zupčanik	Gear	Pignon	Engranaje	1
61	532.03.502	Poklopac	Plate	Plaque	Placa	1
62	532.03.503	Podloška	Washer	Rondelle	Arandela	1
63	532.03.522	Čivija	Pin	Pion	Pasador	2

NAPOMENE:
NOTES:
NOTER:
NOTAS:

(A) Delovi sklopa sinhrospojnice

(B) Obuhvata pozicije 28, 29 i 30

(B) Includes item № 28, 29 and 30

(B) Incluye las posiciones 28, 29 y 30

(B) Comprend les postes № 28, 29 et 30

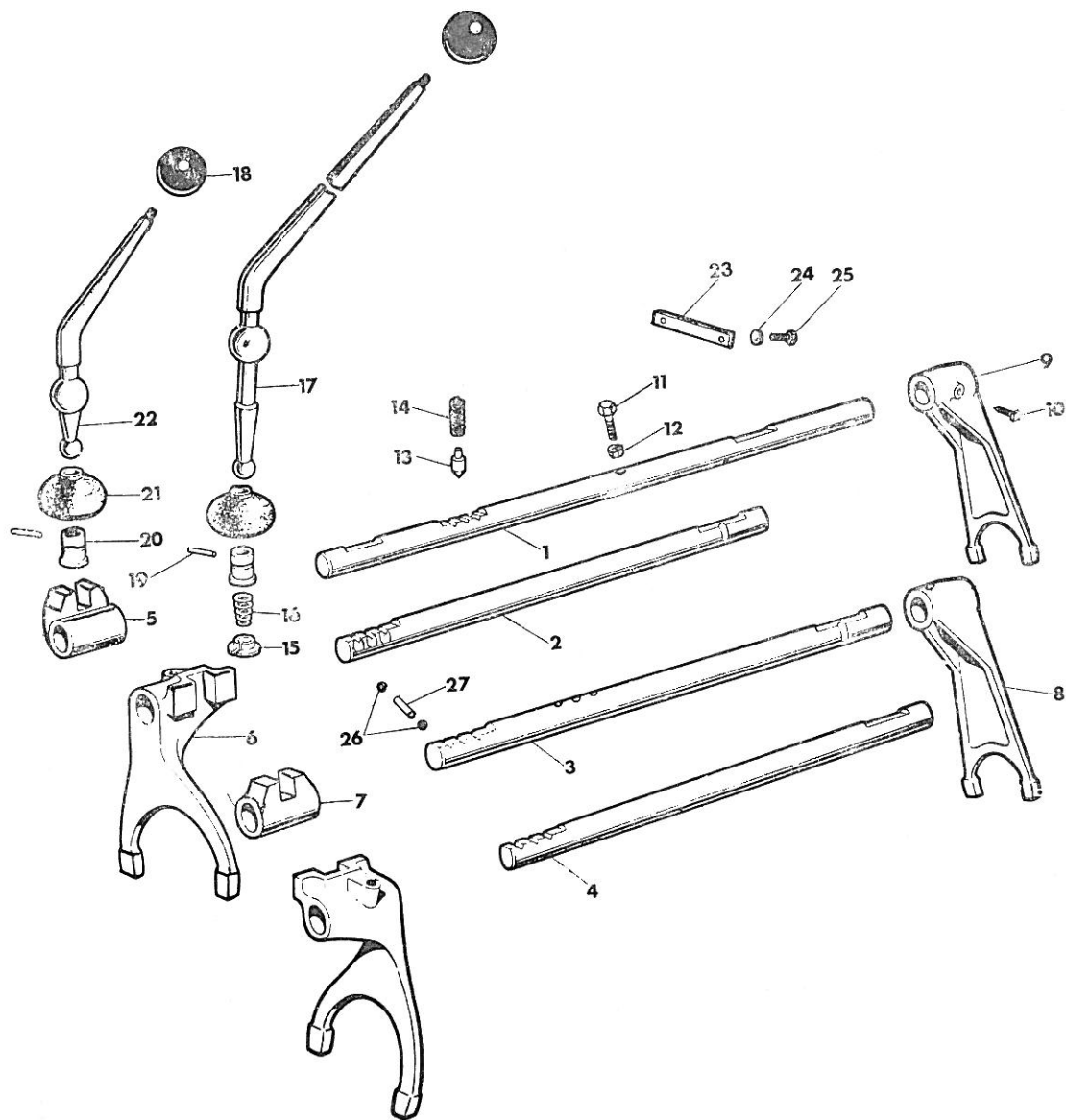
(C) Neisporučuje se posebno
Poručiti pod brojem 532.03.510

(C) Order 532.03.510

(C) Commander 532.03.510

(C) Pedir 532.03.510

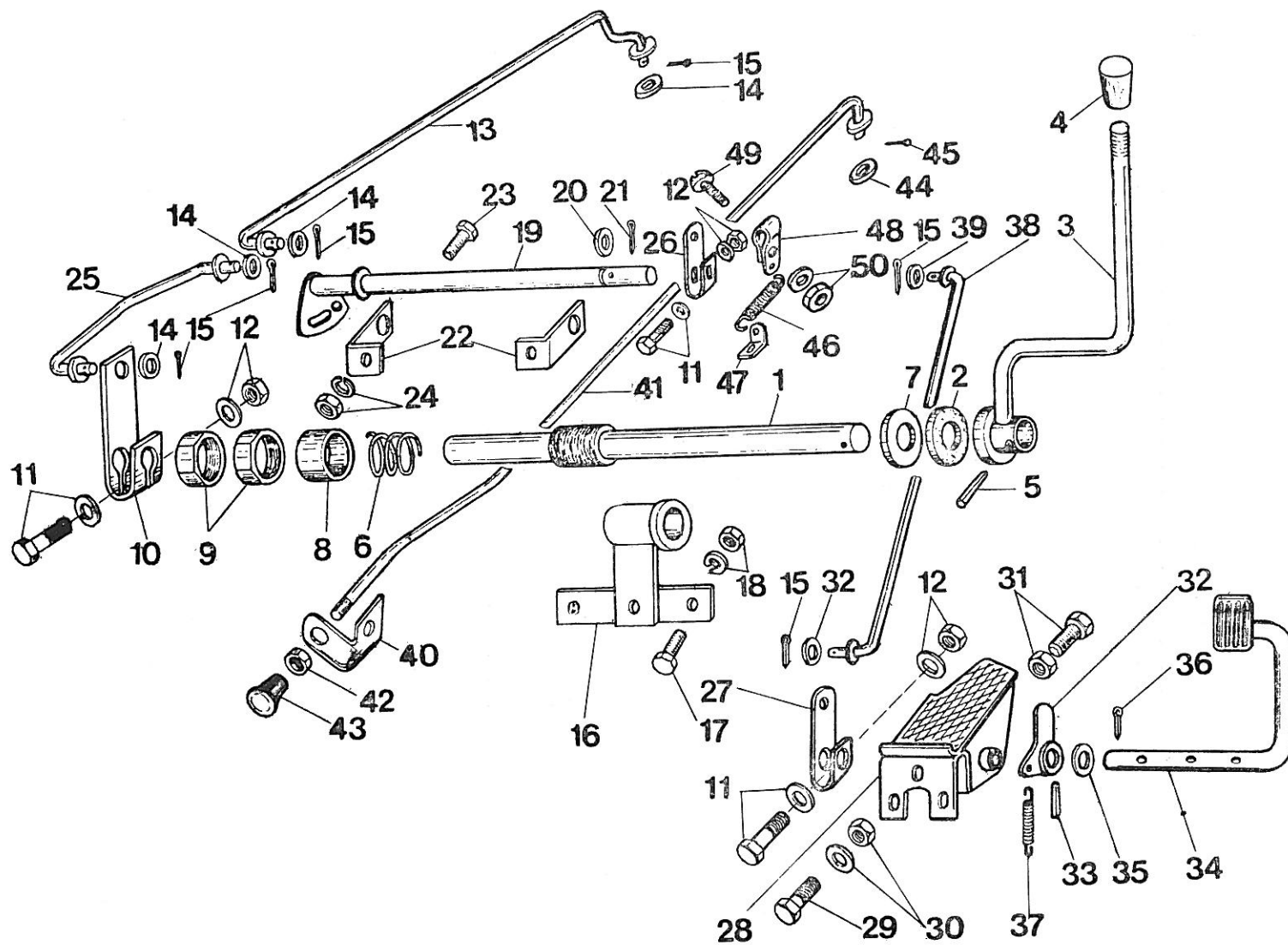
SLIKA 3 — KOMANDE MENJACA I REDUKTORA
 FIGURE 3 — TRANSMISSION AND PLANETARY UNIT CONTROL
 FIGURE 3 — LEVIERS DE BOITE DE VITESSES
 FIGURA 3 — PALANCA DEL CAMBIO



SLIKA 3 — KOMANDE MENJAČA I REDUKTORA
 FIGURE 3 — TRANSMISSION AND PLANETARY UNIT CONTROL
 FIGURE 3 — LEVIERS DE BOITE DE VITESSES
 FIGURA 3 — PALANCAS DEL CAMBIO

Poz. broj	Broj dela	Naziv	Description	Designation	Description	Kom.
1	555.03.701	Šipka	Rail	Tige	Carril	1
2	577.03.703	Šipka	Rail	Tige	Carril	1
3	577.03.713	Šipka	Rail	Tige	Carril	1
4	577.03.702	Šipka	Rail	Tige	Carril	1
5	533.03.705	Gurač	Selector	Selecteur	Selector	1
6	577.03.701	Viljuška	Fork	Fourchette	Horquilla	2
7	577.03.711	Gurač	Selector	Selecteur	Selector	1
8	577.03.712	Viljuška	Fork	Fourchette	Horquilla	1
9	533.03.713	Viljuška	Fork	Fourchette	Horquilla	1
10	533.03.704	Zavrtka	Screw	Vis	Tornillo	5
11	555.03.702	Zavrtka	Screw	Vis	Tornillo	1
12	IS 2172—M8×1	Navrtka	Nut	Ecrou	Tuerca	1
13	532.01.133	Šijak	Plunger	Plongeur	Embolo	4
14	532.01.132	Opruga	Sring	Ressort	Resorte	4
15	532.05.316	Oslonac	Seat	Cuvette	Asiento	1
16	532.05.315	Opruga	Sring	Ressort	Resorte	1
17	533.05.313	Ručica	Lever	Levier	Palanca	1
18	533.05.320	Kugla	Ball	Bille	Pomo	2
19	532.05.314	Čivija	Pin	Axe	Pasador	2
20	533.05.311	Čašica	Cup	Coupelle	Taza	2
21	532.05.317	Ogrlica	Cover	Couvercle	Capuchon	2
22	533.05.331	Ručica	Lever	Levier	Palanca	1
23	577.03.708	Držač	Plate	Plaque	Soporte	1
24	IS 2281—10	Podloška	Washer	Rondelle	Arandela	2
25	533.03.606	Zavrtka	Screw	Vis	Tornillo	2
26	577.03.707	Kuglica	Ball	Bille	Bola	2
27	577.03.709	Brava	Pin	Goupille	Pasador	11

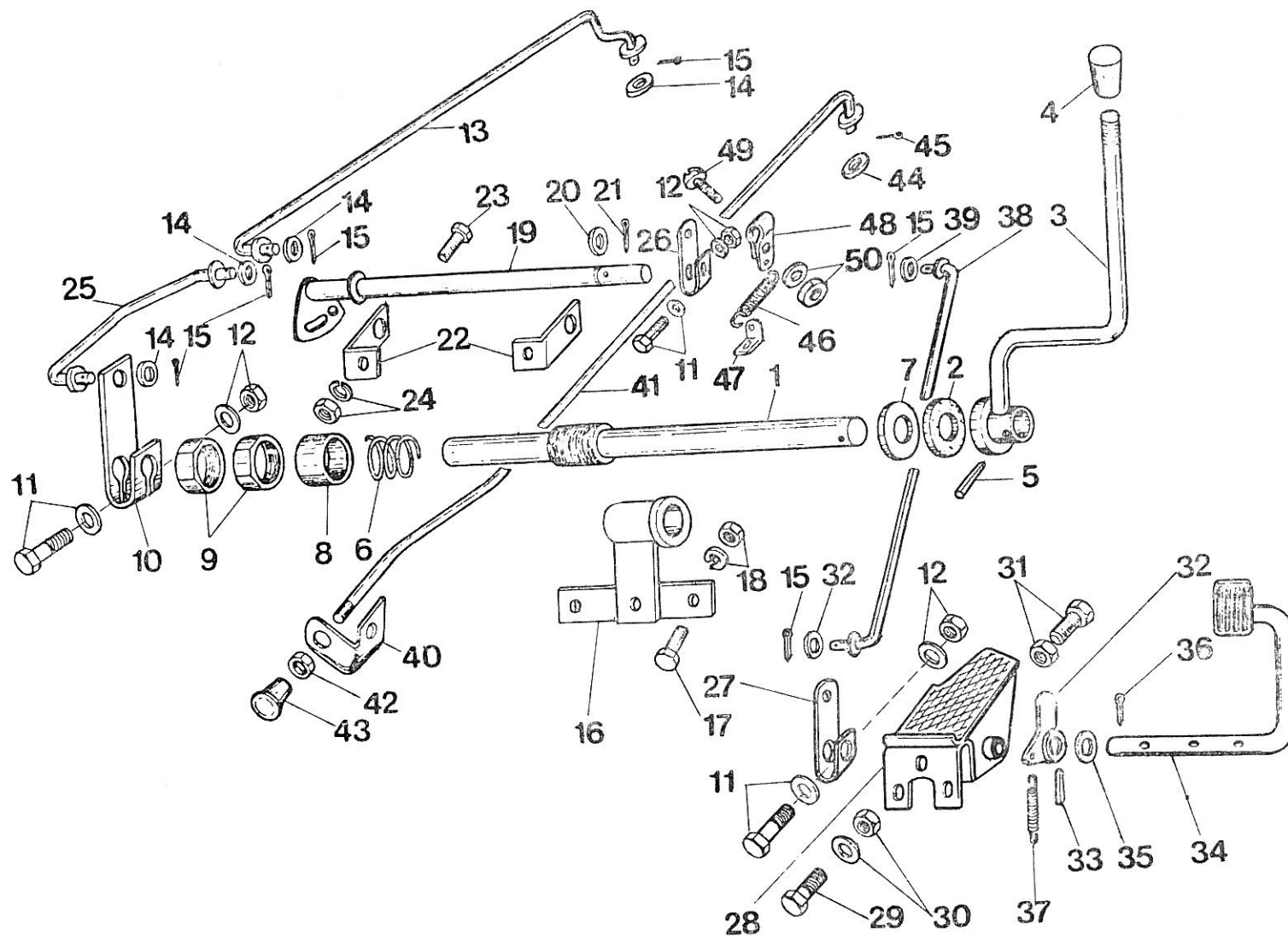
SLIKA 4 — KOMANDA ZA GAS I GASENJE MOTORA
 FIGURE 4 — THROTTLE AND FUEL CUT-OFF CONTROLS
 FIGURE 4 — CAMMANDES DES GAS
 FIGURA 4 — PALANCA DEL ACELERADOR



SLIKA 4 — KOMANDA ZA GAS I GAŠENJE MOTORA
 FIGURE 4 — THROTTLE AND FUEL CUT-OFF CONTROLS
 FIGURE 4 — COMMANDES DES GAS
 FIGURA 4 — PALANCA DEL ACELERADOR

Poz. broj	Broj dela	Naziv	Description	Designation	Descripcion	Kom.
1	540.05.810	Osovina kom. za gas	Shaft	Arbre	Eje	1
2	560.05.801	Frikciona podloška	Disk	Disque	Arandela	1
3	540.05.820	Ručica kom. za gas	Lever	Levier	Palanca	1
4	50.18.053	Drš. ruč. kom. za gas	Knob	Bouton	Pomo	1
5	JUS MC2.230—30×20	Elastična čivija	Pin — Clevis	Coupille	Pasador	1
6	50.18.024	Opruga	Spring	Ressort	Resorte	1
7	IS 2272—13	Podloška	Washer	Rondelle	Arandela	1
8	560.05.803	Čaura	Bush	Bague	Buje	1
9	JUS M81.602—M18×15	Navrtka	Nut	Ecrou	Tuerca	2
10	560.05.804	Uzengija	Lever	Levier	Brazo	1
11	IS 2103—M6×30	Vijak	Bolt	Boulon	Perno	1
	IS 2272—6.4	Podloška	Washer	Rondelle	Arandela	2
12	IS 2281—6	El. podloška	Washer	Rondelle	Arandela	1
	IS 2171—M6	Navrtka	Nut	Ecrou	Tuerca	1
13	547.05.130	Šipka za gas	Rod	Tringle	Varilla	1
14	IS 2272—6.4	Podloška	Washer	Rondelle	Arandela	2
15	IS 2291—2×20	Rascepka	Pin — Cotter	Goupille	Chaveta	2
16	540.05.850	Nosač osov. za gas	Bracket	Support	Soporte	1
17	IS 2103—M6×20	Zavrtanj	Bolt	Boulon	Perno	3
18	IS 2281—6	El. podloška	Washer	Rondelle	Arandela	3
18	IS 2171—M6	Navrtka	Nut	Ecrou	Tuerca	3
19	547.05.110	Osovina sa kulisom	Shaft	Arbre	Eje	1
20	IS 2272—13	Podloška	Washer	Rondelle	Arandela	1
21	IS 2291—2×20	Rascepka	Pin — Cotter	Goupille	Chaveta	1
22	547.05.101	Nosač osovine	Bracket	Support	Soporte	2
23	IS 2101—M10×25	Zavrtanj	Bolt	Boulon	Perno	2
24	IS 2281—10	El. podloška	Washer	Rondelle	Arandela	2
	IS 2171—M10	Navrtka	Nut	Ecrou	Tuerca	2
25	547.05.120	Šipka za gas	Rod	Tringle	Varilla	1
26	547.02.102	Uzengija	Lever	Levier	Brazo	1
27	547.05.116	Uzengija	Lever	Levier	Brazo	1
28	547.05.140	Nosač pedale	Carrier	Porte pédale	Porta-pedal	1
29	IS 2103—M10×20	Zavrtan	Bolt	Boulon	Perno	3
30	IS 2281—10	El. podloška	Washer	Rondelle	Arandela	3
	IS 2171—M10	Navrtka	Nut	Ecrou	Tuerca	3
31	IS 2103—M10×45	Zavrtanj	Bolt	Boulon	Perno	1
	IS 2171—M10	Navrtka	Nut	Ecrou	Tuerca	1
32	547.05.170	Graničnik	Stop	Arret	Guia	1

SLIKA 4 — KOMANDA ZA GAS I GAŠENJE MOTORA
 FIGURE 4 — THROTTLE AND FUEL CUT-OFF CONTROLS
 FIGURE 4 — CAMMANDES DES GAS
 FIGURA 4 — PALANCA DEL ACELERADOR



SLIKA 4 — KOMANDA ZA GAS I GAŠENJE MOTORA
 FIGURE 4 — THROTTLE AND FUEL CUT-OFF CONTROLS
 FIGURE 4 — COMMANDES DES GAS
 FIGURA 4 — PALANCA DEL ACELERADOR

Poz. broj	Broj dela	Naziv	Description	Designation	Descripcion	Kom.
33	JUS MC2.230—4×24	El. čivija	Pin — Cleris	Coupille	Pasador	1
34	547.05.180	Pedala	Pedal	Pédale	Pedal	1
35	IS 2272—13	Podloška	Washer	Rondelle	Arandela	2
36	IS 2291—3,2×20	Rascepka	Pin — Cotter	Goupille	Chaveta	2
37	515.00.109	Opruga	Spring	Ressort	Resorte	1
38	547.05.160	Šipka za gas	Rod	Tringle	Varilla	1
39	IS 2272—8,4	Podloška	Washer	Rondelle	Arandela	2
40	540.05.806	Graničnik šipke za g.	Stop	Arret	Guia	1
41	540.05.840	Šipka za gaš. motora	Rod	Tringle	Varilla	1
42	IS 2171—M5	Navrtka	Nut	Ecrou	Tuerca	1
43	533.05.720	Dugme kom. za gaš.	Knob	Bouton	Pomo	1
44	IS 2272—5,3	Podloška	Washer	Rondelle	Arandela	1
45	IS 2291—2×15	Rascepka	Pin — Cotter	Goupille	Chaveta	1
46	532.05.702	Povratna opruga	Spring	Ressort	Resorte	1
47	532.05.703	Kotva opruge	Bracket	Support	Soporte	1
48	532.05.701	Obujmica	Clip	Collier	Brazo	1
49	IS 2103—M5×12	Zavrtnanj	Bolt	Boulon	Perno	1
50	IS 2281—5	Elastična podloška	Washer	Rondelle	Arandela	1
	IS 2171—M5	Navrtka	Nut	Ecrou	Tuerca	1

