

II DEO

TRAKTOR

SECTION II

TRACTOR

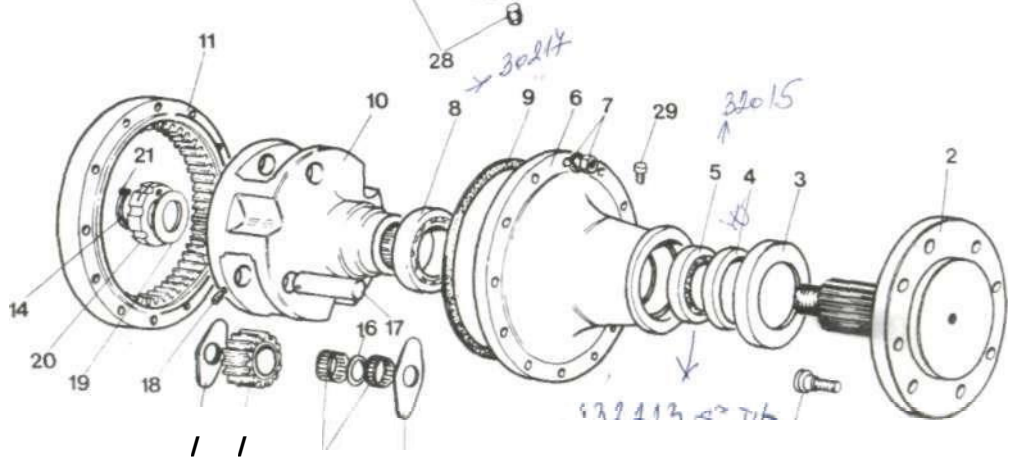
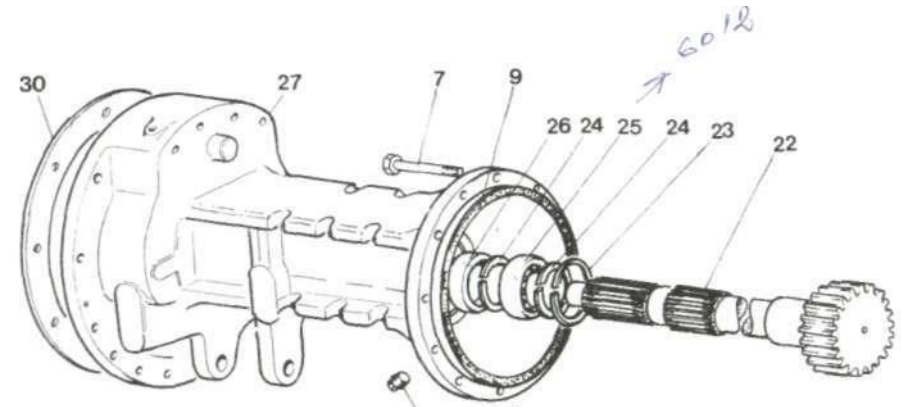
PARTIE II

TRACTEUR

PARTE II

TRACTOR

our i - B A D N J A HULUOSOVINA
FIGURE 1 - REAR AXLE FIGURE 1
- SEMI-ARBRE ARRIERE
FIGURA 1 - SEMI-EJE TRASERO



12 13 15

12 Mine".*.*?

OLIA I - ZAJINJ RULUO OUVI W FIGURE 1 -
 REAR AXLE
 FIGURE 1 - SEMI-ARBRE ARRIERE
 HGURA 1 - SEMI-EJE TRASERO

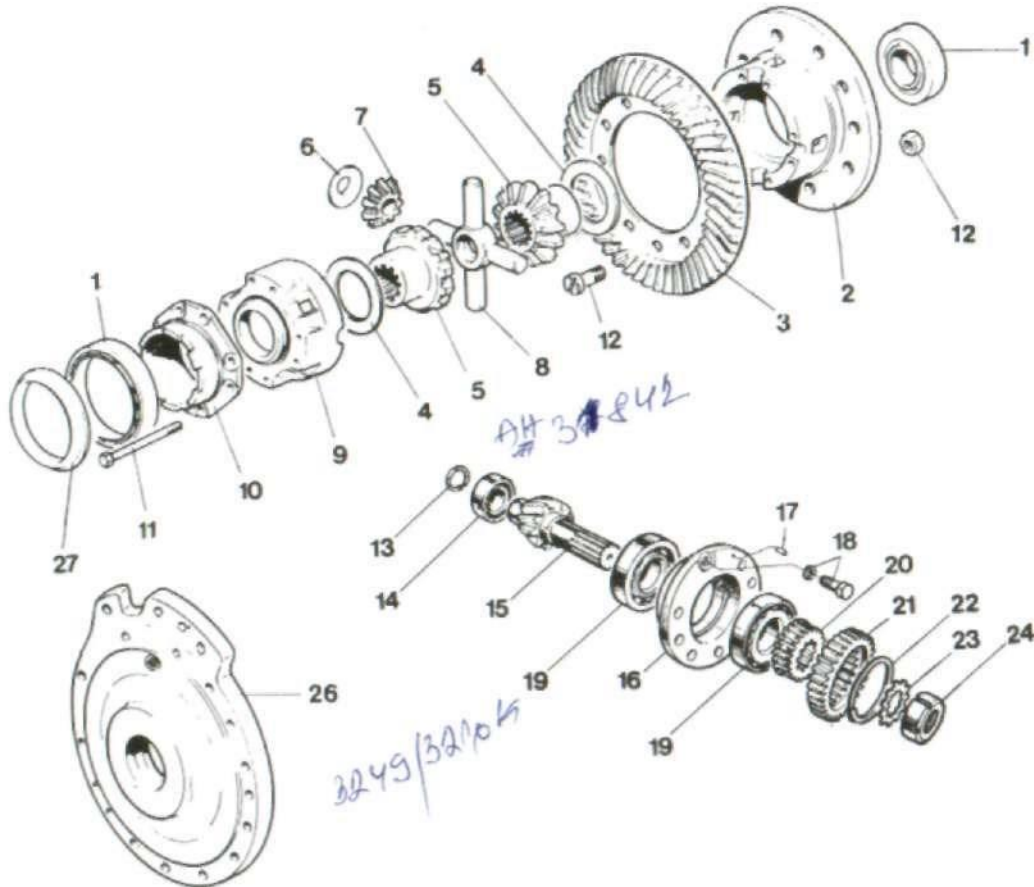
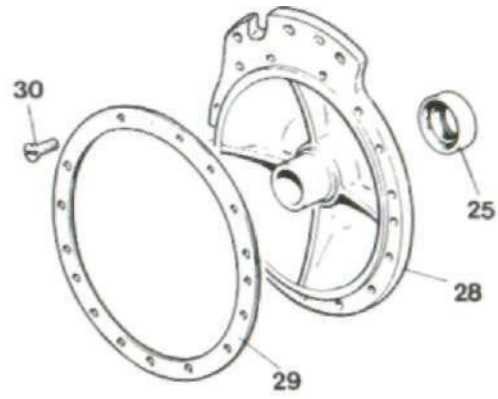
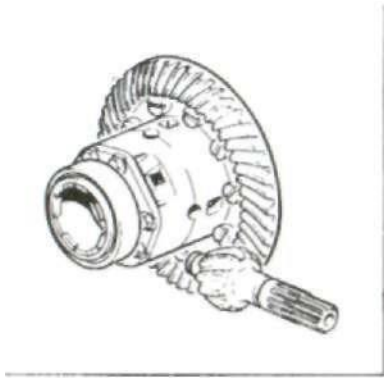
| Poz: | broj | Broj dela | Naziv | Description | Designation | Descripcion | Kom . |
|-------------|------|---------------------|------------------------------|-----------------|------------------|-------------|--------------|
| 1 | | 56001223 | Vijak Bolt Boulon | | | | |
| | (A) | 57701270 | Kraća poluosovina | Axle - short | Semi-arbre court | | |
| 2 | | 57701271 | Kraća poluosovina | Axle - Short | Semi-arbre court | | |
| | | 56001193 | Zaštitna kapa | Cap | Couvercle | | |
| 3 | | 56001360 | Zaptivač simering Seal | Joint | | | |
| | | 57701280 | Konusni ležaj | Bearing | Roulement | | |
| 4 | | 57701191 | Kućište reduktora Housing | Boitier | | | |
| 5 | | JUSM.B2.110-14 | Opružna podloška | Spring washer | Rondelle ressort | | |
| 6 | | JUSM.B2.602-M14x1,5 | Navrtka Nut | Ecrou | | | |
| 7 | | 56001112 | vijak Bolt | Boulon | | | |
| 8 | | 56001260 | Ležaj konusni | Cone bearing | Roulement cone | | |
| 9 | | 56001196 | Zaptivka Gasket | Joint | | | |
| 10 | | 58701231 | Nosač satelita | Carrier | Boitier | | |
| 11 | | 56001109 | Spoljni sunčani zupčanik . . | Ring gear-outer | Engrenage-ext | | |

| | | | | | | | | |
|----|----------|----------------------------|----------------|-----------------|----------|-----------------|-----------|----|
| 12 | 58701237 | Bočna podloška | Washer-side | RondelleHateraJ | Arandela | 12 | Perno | 16 |
| 13 | 56001232 | Satelit | Pinion | Pignon | | | Semi-eje | 2 |
| 14 | 56001198 | Prsten | Ring | Bague | | | Semi-eje | 2 |
| 15 | 56001860 | Igličasti ležaj | Needle bearing | Roulement | Cojinete | | Capa | 2 |
| 16 | 56001233 | Odstojni prsten | Ring | Bague | Anillo | 6 | Selio | 2 |
| 17 | 58701236 | Osovinica | Pin | Axe | | | Cojinete | 2 |
| 18 | 53201135 | Čivija Pivot | Goupille | Pivote | 6 19 | 57701194 | Caja | 2 |
| | | Navrtka Nut | Ecrou | Tuerca | 2 21 | 56001197 | Arandela | 20 |
| | | | | Klin Key | Clavette | Lengueta | Tuerca | 20 |
| 22 | 51100894 | Poluosovina - leva | Shaft - LH | Semi-arbre | gauche | 1 | Perno | 20 |
| | 51100886 | Poluosovina - desna | Shaft - R.H | Semi-arbre | droit | 1 | Cojinete | 2 |
| 23 | 56001107 | Segerov prsten unutr | Ring | Bague | 2 | | Junta | 4 |
| 24 | 56001162 | Segerov prsten spoljni.... | Ring | Bague | Anillo | 4 | Portador | 2 |
| 25 | 56001340 | Kuglični ležaj | Ball bearing | Roulement | Cojinete | 2 | Engranaje | 2 |
| 26 | 56001350 | Zaptivač simering | Seal Joint | Sello | 4 | | Pinon | 6 |
| 27 | 51100876 | Kućište - levo | Housing - LH | Trompette-G | 1 | | Anillo | 2 |
| | 51101055 | Kućište - desno | Housing - RH | Trompette-D | 1 | | Cojinete | 12 |
| 28 | 53305136 | Čep Plug | Bouchon | 6 29 | 53302360 | Oduška Breather | Pasador | 6 |
| | | Junta | 2 | | | 51100883 | | |
| | | | | Zaptivka | Gasket | Joint | | |

NAPOMENE: (A) Obuhvata pozicije 1, 2, 5. **NOTES:** Includes items 1, 2, 5.
NOTES: Comprend pos 1, 2, 5.
NOTAS: Incluye los renglones 1. 2. 5.

| | |
|--------------------|---|
| Semi-eje izquierdo | 1 |
| Semi-eje derecho | 1 |
| Anillo | 2 |
| Caja izquierda | 1 |
| Caja derecha | 1 |
| Tapon | 6 |
| Respiradero | 2 |

SLIKA 2 - UihbHENUIJAL
FIGURE 2 - DIFFERENTIAL FIGURE 2
- DIFFERENTIEL
FIGURA 2 - DIFERENCIAL



SLIKA 2 - DIFERENCIJAL
FIGURE 2 - DIFFERENTIAL
FIGURE 2 - DIFFERENTIEL
FIGURA 2 - DIFERENCIAL

| Poz. broj | Broj dela | Naziv | Description | Designation | Descripcion | Kom. |
|----------------------|------------------|--------------|--------------------|--------------------|--------------------|-------------|
|----------------------|------------------|--------------|--------------------|--------------------|--------------------|-------------|

(A) 57701400

| | |
|------------------------|---|
| Diferencial | 1 |
| Cone bearing | 1 |
| Differential case-LH | 1 |
| Crownwheel, Z = 37 | 1 |
| Washer | 1 |
| Sun gear | 1 |
| Washer | 1 |
| Cone pinion | 1 |
| Differential case with | 1 |
| Differential case-R.H | 1 |
| Snapring | 1 |
| Bearing | 1 |
| Gear Z - 6 | 1 |
| Sleeve | 1 |
| Washer | 1 |
| Cone bearing | 1 |
| Gear Z - 33 | 1 |
| Gear, Z - 25 | 1 |
| Driving gear-assy. | 1 |
| Snapring | 1 |
| Washer | 1 |
| Support - R.H | 1 |
| 6 -0,1 mm | 1 |
| 5 -0,4 mm | 1 |
| 5 - 0,55 mm | 1 |
| Support-LH | 1 |
| Gasket | 1 |
| Bolt | 1 |

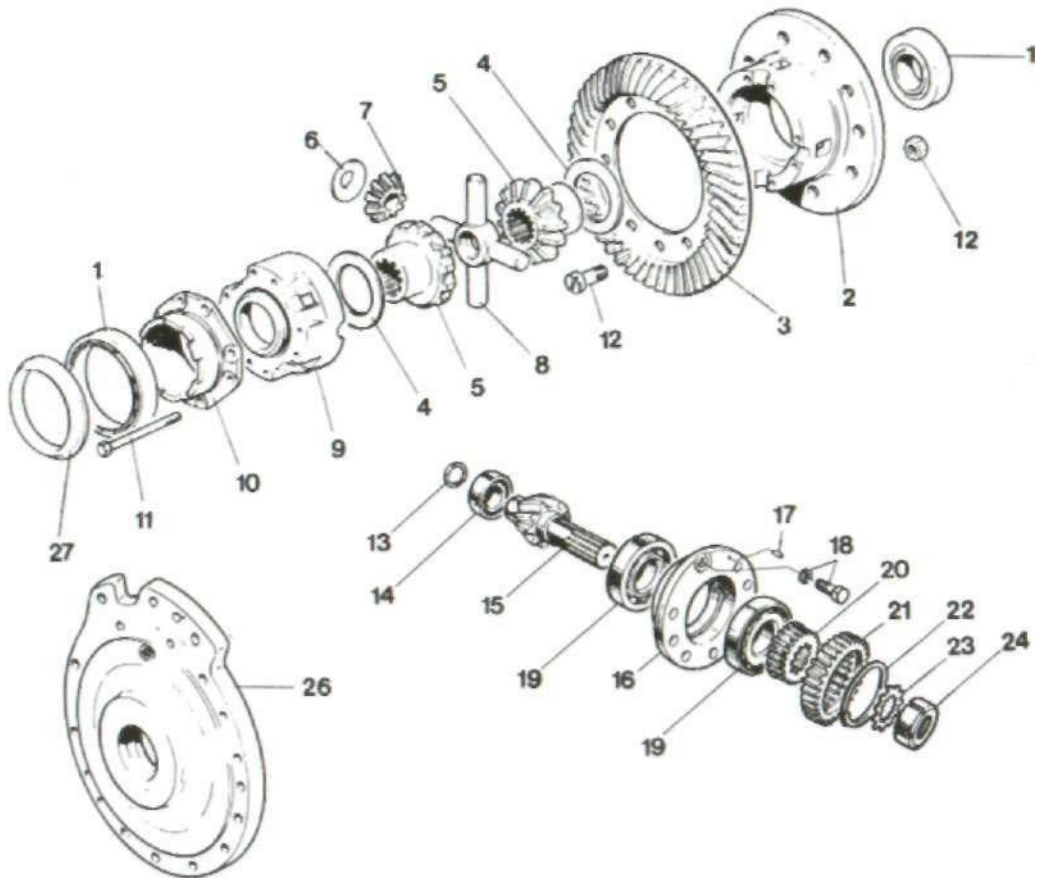
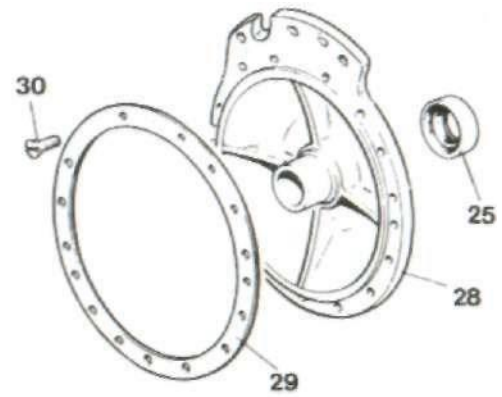
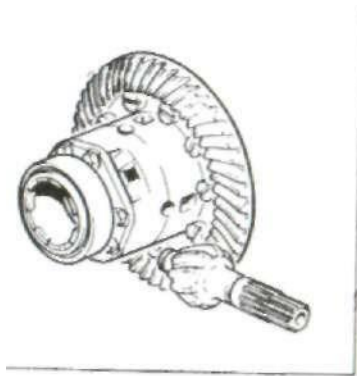
Direrencial 1

| | |
|--------------------------------|----|
| Arandela | 2 |
| Engranaje | 2 |
| Arandela | 4 |
| Engranaje conico | 4 |
| Junta | 1 |
| Caja de diferencial con tapa | 1 |
| Caja de diferencial derecha | 1 |
| Tapa | 1 |
| Tornillo | 8 |
| Aro de reten | 1 |
| Cojinete | 1 |
| Engranaje Z - 6 | 1 |
| Manguito | 1 |
| Clavija | 1 |
| Tornillo | 6 |
| Arandela | 6 |
| Cojinete | 2 |
| Acople dentado | 1 |
| Engranaje Z—33 | 1 |
| Engranaje, Z—25 | 1 |
| Engranaje de accionamiento-ens | 1 |
| Aro de reten | 1 |
| Arandela | 1 |
| Tuerca | 1 |
| Sello | 2 |
| Portacojinete-derecho | 1 |
| Defensa | 1 |
| 5 -0,1 mm | pp |
| 5 = 0,4 mm | pp |
| 5 —0,55 mm | pp |
| Portacojinete-izquierdo | 1 |
| Junta | 2 |
| Tornillo | 4 |

| | | | | | | |
|----|-----------------|---|---|----------------------------------|-------------------------------|--------------------------|
| 1 | 56001420 | Konusni ležaj | Roulement cone | Cojinete conico | 2 | |
| 2 | (B) 57701412 | Kućište diferencijala-levo | Boitier-G Caja de diferencial 2 3 | (C) 53201405 | Tanjirasti zupčanik, 2 — 37 . | Engrenage piate, Z — 37. |
| | | Engranaje de hoja Z = 37 1 | | | | |
| 4 | 53001304 | Uporni prsten sunčanog zupčanika | Bague appui | | | |
| 5 | 56001404 | Sunčani zupčanik | Engrenage - soleil | | | |
| 6 | 53201403 | Uporni prsten trkača | Bague/appui | | | |
| 7 | 53201402 | Konusni trkač | Pignon conique | | | |
| 8 | 53201401 | Krst diferencijala | Joint | Croix de different | | |
| | (D) 57701410 | Kućište diferencijala | Boitier-diff. au sa poklopcem | cover | couvercle | |
| 9 | (B) 56001411 | Kućište diferencijala-desno | Boitier-dr | | | |
| 10 | (B) 55601413 | Poklopac kućišta desnog | Cover | Couvercle de boitier dr. | | |
| 11 | 56001414 | Vijak | Bolt Vis | | | |
| 12 | 53101308 | Vijak | Bolt Vis Perno 12 | | | |
| | 53301407 | Navrtka | Nut | Ecrou | Tuerca | 12 |
| 13 | 53201502 | Osigurač | Circlip | | | |
| 14 | 53201510 | Ležaj | Roulement | | | |
| 15 | (E) 57701501 | Pogonski zupčanik, Z — 6 | Pignon Z = 6 1 | | | |
| 16 | 56001530 | Nosač sklopa pogonskog | Support d'ens. de zupčanika pignon motr | | | |
| 17 | 53001432 | Ovija za centriranje | Pin | Goupille centrage | | |
| 18 | JUS M.B1.053-M1 | Vijak | Bolt Boulon | | | |
| | JUS M.B2.110-14 | Podloška | Rondeile | | | |
| 19 | 53201520 | Konusni ležaj | Roulement conique | | | |
| 20 | 53201503 | Zupčasta spojnica | Hub | Attache dente | | |
| 21 | 56001005 | Zupčanik za pogon priključnog vratila, Z — 33 | Pignon | Z - 3 3 | | |
| | (F) 51100529 | Zupčanik za pogon priključnog vratila, Z — 25 | Pignon, Z - 2 5 | | | |
| | (G) 57701500 | Pogonski zupčanik-sklop | Pignon | | | |
| | | | | motnce-ens | | |
| 22 | 53210006 | Osigurač | Circlip | | | |
| 23 | 53201504 | Limeni osigurač | Circlip/ole | | | |
| 24 | 53301505 | Navrtka sa žljebovima | Nut | Ecrou au mortaises | | |
| 25 | 55001260 | Zaptivač | Seal | Joint | | |
| 26 | 51100889 | Nosač ležaja-desni | Boitier de roul.-dr | | | |
| 27 | | Podloška za podešavanje zazora | Shim | Rondeile de reglage | | |
| | 56001254 | 5 — 0,1 mm | 5 — 0,1 mm | | | |
| | 56001255 | 5 — 0,4 mm | 5 — 0,4 mm | | | |

| | | | |
|----|----------|----------------------|-------------------------------------|
| | 56001256 | 5 —0,55 mm 5—0,55 mm | |
| 28 | | 51100892 | Nosač ležaja-levi Boitier de roul g |
| 29 | | 53201017 | Zaptivka Joint |
| 30 | | 55101113 | Vijak Vis |

SLIKA 2 - DIFERENCIJAL
FIGURE 2 - DIFFERENTIAL
FIGURE 2 - DIFFERENTIEL
FIGURA 2 - DIFERENCIAL



SLIKA 2 - DIFERENCIJAL
FIGURE 2 -
DIFFERENTIAL
FIGURE 2 -
DIFFERENTIEL
FIGURA 2 -
DIFERENCIAL

7

(D) Obuhvata pozicije 2, 3, 10, 11
Includes items from No. 1 to 12
Obuhvata pozicije od 1 do 12 11
Includes items No. 2, 9, 10,
12 11

NAPOMENE:
NOTES: (A)
NOTES:

NOTAS: Incluye las posiciones 1-12

(B) Ne isporučuje se posebno Poručiti pod brojem
57701410
Not delivered separately order No. 57701410
On ne fournit pas a part, commander sous No
57701410
Pedir 57701410

(C) Poručiti zajedno sa poz 15 Order with
item No. 15
Commander avec pos. 15 Pedir con
pos 15
Comprend pos 2, 9, 10, 11
Incluye las posicibnes No 2, 9, 10 y 11

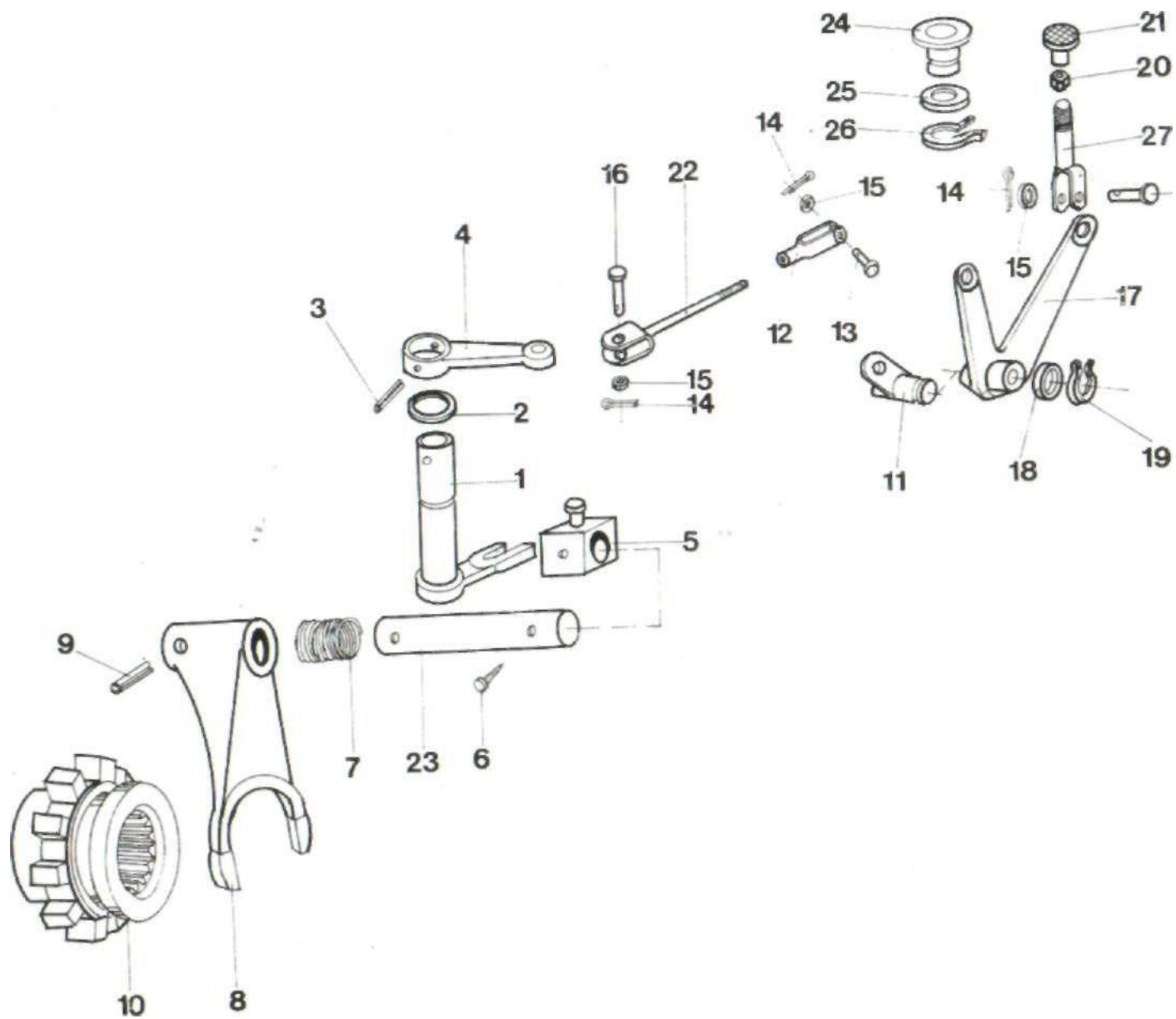
(E) Poručiti zajedno sa poz. 3
Order with item No. 3
Commander avec oos. 3 Pedir con pos. 3

(F) Koristi se samo za 577 DV E. Isključuje deo 56001005 Used only for 577 DV E
Excludes part No.
56001005
On fait usage seulement e traccion avant. Elimine part 56001005
Utilizado solamente para traccion delantera

Excluye la
parte No.
56001005

(G) Obuhvata poz 13 do 18 i 19, 23, 24
Includes items from No. 13 to 15 and 19, 23, 24
Comprend pos. 13 a 16 et 19, 23, 24
Incluye las posiciones 13-18 y 19, 23, 24

SLIKA d - BLU*^UA UII-tKtINWJALtt RGURE 3 -
DIFFERENTIAL LOCK
FIGURE 3 - BLOCAGE DE DIFFERENTIEL
FIGURA 3 - BLOQUEO DIFERENCIAL



SLIKA 3 - BLOKADA DIFERENCIJALA FIGURE 3 -
DIFFERENTIAL LOCK
FIGURE 3 - BLOCAGE DE DIFFERENTIEL
FIGURA 3 - BLOQUEO DIFERENCIAL

| Poz. broj | Broj dela | Naziv | Description | Designation | Descripcion | Kom. |
|-----------|-------------------|---------------------|----------------|--------------------|--------------------|------|
| 1 | 51101025 | Poluga | Lever | Levier | Palanca | 1 |
| 2 | 56055303 | | Gasket | | Junta | 1 |
| 3(A) | JUSM.C2.230-6x36 | Čivija elastična | Pivot-flexible | Goupille elastique | Pasador elastico | 1 |
| (A) | 58503865 | Čivija nareckana | Pivot | Goupille | Pasador | 1 |
| | 51100158 | Poluga blokade | Lever | Levier de blocage | Palanca de bloqueo | 1 |
| | 51100166 | Gurač | Pusher | Poussoir | Empujador | 1 |
| | 53303704 | | Bolt | Vis | Tornillo | 1 |
| | 51100164 | | Spring | Ressort | Resorte | 1 |
| | 51100884 | | Fork | Fourchette | Horquilla | 1 |
| 9(B) | JUS M.C2.230-6X28 | Čivija elastična | Pivot-flexible | Goupille elastique | Pasador elastico | 1 |
| (B) | 53201135 | Čivija nareckana | Pivot | Goupille | Pasador | 1 |
| 10 | 55601114 | Spojnica kandžasta | Claw coupling | Crabot | Acoplador | 1 |
| 11 | 51101053 | | Support | Support | Soporte | 1 |
| 12 | 53305481 | Viljuška sa navojem | Fork | Fourchette | Horquilla | 1 |
| 13 | 53205406 | Osovinica | Pin | Axe | Perno | 1 |
| 14 | IS 2291-3,2x20 | Rascepka | Cotter pin | Goupille fendue | Pasador doble | 3 |
| 15 | IS 2272-10,5 | Podloška | Washer | Rondelle | Arandela | 3 |
| 16 | IS 2351-10x28x24 | Osovinica | Pin | Axe | Perno | 2 |
| 17 | 51501519 | Poluga | Lever | Levier | Palanca | 1 |
| 18 | IS 2272-19 | Podloška | Washer | Rondelle | Arandela | 1 |
| 19 | JUSM.C2.401-18 | Uskočnik | Cirdip | Cirdip | Aro reten | 1 |
| 20 | IS2173-M10x1 | Navrtka | Nut | Ecrou | Tuerca | 1 |
| 21 | 51500262 | Papuča | Shoe | Pedale | Pedal | 1 |
| 22 | 51509650 | Zatega | Turnbuckle | Raccord | Tensor roscado | 1 |
| 23 | 51100882 | Osovinica blokade | Pin | Arbre de blocage | Eje del bloqueo | 1 |
| 24 | 51508530 | | Bushing | Bague | Buje | 1 |
| 25 | IS 2272-21 | | Washer | Rondelle | Arandela | 1 |
| 26 | JUSM.C2.401-20 | | Cirdip | Cirdip | Aro reten | 1 |
| 27 | 51509660 | Gurač | Pusher | Poussoir | Empujador | 1 |
| | | Zaptivka | | Joint | | |

Vijak Opruga

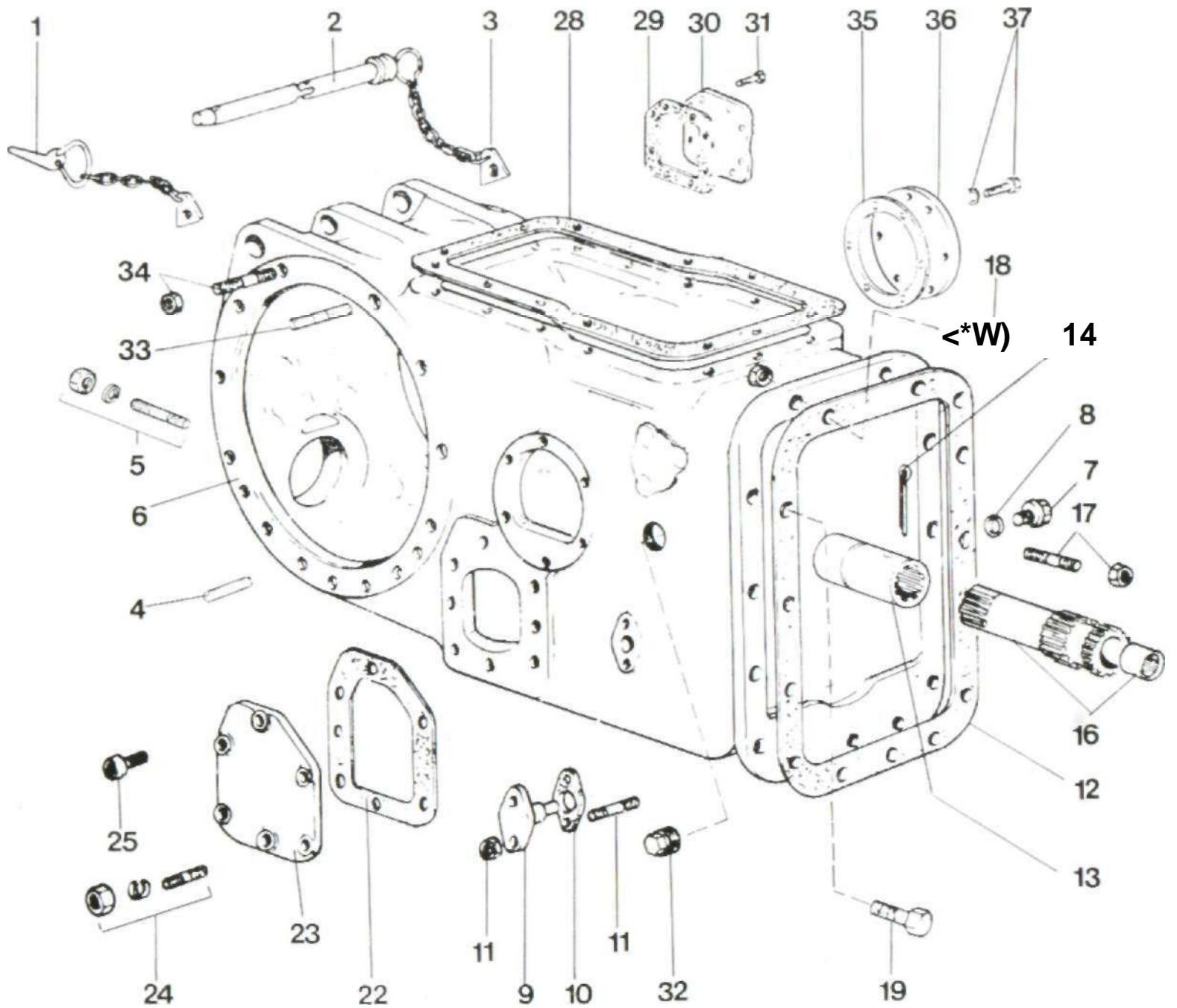
Vijjuška

Nosač

Čaura
Podloška
Uskočnik

NAPOMENE: (A) Alternativno
NOTES: Alternative
NOTES: Alternatif
NOTAS: Alternativamente
(B) Alternativno
NOTES: Alternative
NOTES: Alternatif
NOTAS: Alternativamente

SLIKA 4 - CENTRALNO KUĆIŠTE
CENTRE HOUSING
FIGURE 4 - CARTER DE PONT ARRIERE
FIGURA 4 - ČAJA CENTRAL



Poz. **Broj dela broj**

IS 2281-12

1 53201220
 2 53201190 3 53201210 4 56001609

IS2172-M12x1,5
 25 IS2102-M12x30
 28 53200003 29 51100534 30 58901602
 31 IS2103-M6x18 32 53305136 33 51100898 Naziv

5 IS2172-M12X1.5
 55506101

Lanac sa elastičnim osiguračem Zglobna osovinica Lanac za osovinicu U
 vrta nj (za kućište poluosovine)
 Navrtka Uvrtanj (za kućište reduktora priklj. vratila)
 Opružna podloška

6 IS 2281-12 IS2172-M12x1,5
 51100896 7 53201060

Navrtka
 Centralno kućište Čep za ispuštanje ulja sa magnetom
 Zaptivka Držač pumpe hidraulika...

8 53201002 9 56000002
 10 56000001 11 53301605

Zaptivka Uvrtanj (za nosač pumpe hidraulika)
 Navrtka

IS2172-M8X1

12 53200004
 13 53201013
 14 IS 2291-5x75
 16 (A)53201110

Zaptivka
 Spojnica ožljebljena Rascepka
 Spojno vratilo-sklop
 Iglíčasti ležaj

53201120

17 53301607
 IS2172-M12x1,5

Uvrtanj (za menjačku kutiju)
 Navrtka Vijak vijak Navrtka
 Zaptivka Poklopac bočnog otvora Uvrtanj (za kućište bočnog priključ.
 vrat.) Opružna podloška

18 IS 2 1 0 6 - M 1 2 X 1 , 5 X 4 0 1 9 IS 2 1 0 6 - M 1 2 X 1 , 5 X 4 5 IS2172-
 M12X1.5

Navrtka
 Vijak

22 56001014
 23 (B) 56001013
 24 53301607

Zaptivka
 Zaptivka Poklopac Vijak

Description

Čep konusni (kontrola
 Designation nivoa ulja) Description
 Uvrtanj (za kućište
 poluosovine)

Kom.

| | | | |
|----------------|--------------------------|--------------|-----|
| Chain | Chaîne/assurant | Cadena | .1 |
| Pin | Axe au pivot | Pasador | .1 |
| Chain | Chaîne | Cadena | .1 |
| Stud | Goujon | Vastago | .18 |
| Nut | Ecrou | Tuerca | .18 |
| Stud | Goujon | Vastago | .6 |
| Spring washer | Rondelle ressort | Arandela | .6 |
| Nut | Ecrou | Tuerca | .6 |
| Centre housing | Bortier central | Caja central | .1 |
| Plug | Bouchon | Tapon | .1 |
| Gasket | Joint | Junta | .1 |
| Carrier | Support/axe | Pasador | .2 |
| Gasket | Joint | Junta | .2 |
| Stud | Goujon | Vastago | .4 |
| Nut | Ecrou | Tuerca | .4 |
| Gasket | Joint | Junta | .1 |
| Coupling | Attache dente | Acoplador | .1 |
| Cotter pin | Goupille | Pasador | .1 |
| Shaft-assy | Arbre de jonction-ens | Eje | .1 |
| Needle bearing | Roulement. aux aiguilles | Cojinete | .1 |
| Stud | Goujon | Vastago | .5 |
| Nut | Ecrou | Tuerca | .5 |
| Bolt | Boulon | Tornillo | .6 |
| Bolt | Boulon | Tornillo | .2 |
| Nut | Ecrou | Tuerca | .8 |
| Gasket | Joint | Junta | .1 |
| Cover | Couvercle | Tapa | .1 |
| Stud | Goujon | Vastago | .1 |
| Spring washer | Rondelle ressort | Arandela | .6 |
| Nut | Ecrou | Tuerca | .1 |
| Bolt | Boulon | Tornillo | .5 |
| Gasket | Joint | Junta | .1 |
| Gasket | Joint | Junta | .1 |
| Cover | Couvercle | Tapa | .1 |
| Bolt | Vis | Tornillo | .8 |
| Plug | Bouchon conigue | Tapon | .1 |
| Stud | Goujon | Vastago | .2 |

SLIKA 4 - CENTRALNO KUČIŠTE
FIGURE 4 - CENTRE HOUSING

FIGURE 4 - CARTER DE PONT ARRIERE

FIGURA 4 - ČAJA CENTRAL

SLIKA 4 - CENTRALNO KUĆIŠTE
FIGURE 4 - CENTRE HOUSING
FIGURE 4 - CARTER DE PONT ARRIERE
FIGURA 4 - ČAJA CENTRAL

NAPOMENE: (A) Obuhvata deo 532 01 120 Includes par (B) Ne ide uz traktor sa pred mom vučom Not used with
NOTES: No. 532 01 120 tractor with for whe«jl drive
NOTES: Comprend pos. 532 01 120 On ne fait pas usage au tracteur a traccion avant
Incluye pieza No. 532 01 120

NOTAS:

No se utiliza con tractor para tracon delantera

Poz. Broj dela
Naziv
Description

Designation broj

Dese rip cio n

Kom.

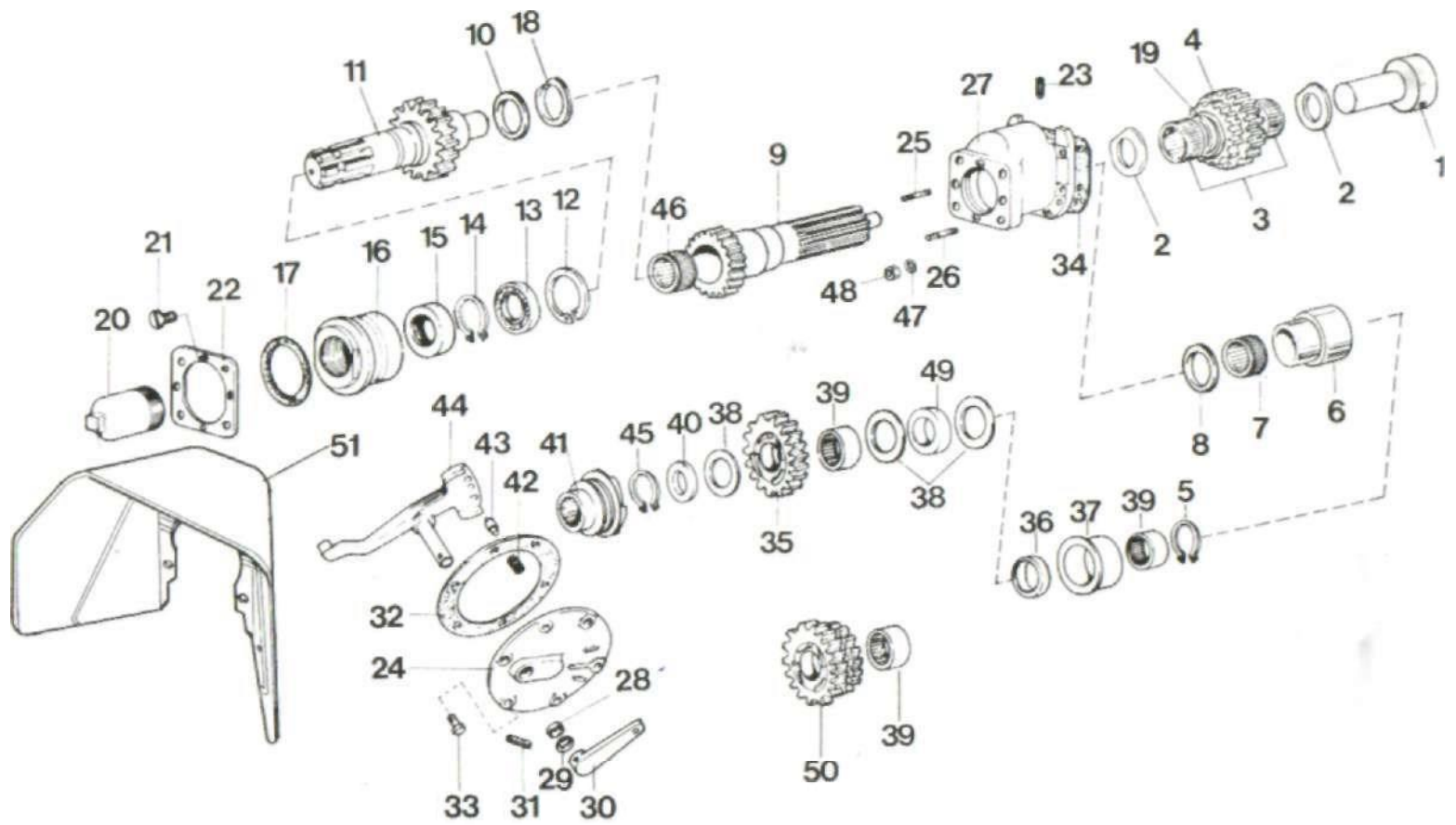
| | | | | | | |
|-----------|----------------|--|-----------------|--------------------|----------|---------|
| 34 | 51100897 | Uvrtanj (za kućište poluosovine - duži) | . Stud | . Goujon | | |
| 35 | 54001002 | Zaptivka | . Gasket | . Joint | | |
| 36 | 54001003 | Poklopac | . Cover | . Couvercle | | |
| 37 | IS 2103-M10x18 | Vijak | . Bolt | . Vis | | |
| | IS 2281-10 | Podložka opružna | . Spring washer | . Rondelle ressort | | |
| | | | | | Vastago | 8 |
| | | | | | | Junta 1 |
| | | | | | | Tapa 1 |
| | | | | | Tornillo | 6 |
| | IS 2281-10 | | | | Arandela | 6 |

SLIKA 5 - PRIKUUČNO VRATILO ZA 540 i 1000 min⁻¹ RGURE 5

- P.T.O. SHAFT FOR 540 AND 1000 r.p.m.

RGURE 5 - ARBRE DE PRISE DE FORCE A 540 ET 1000 tr/min FIGURA

5 - TOMA DE FUERZA PARA 540 Y 1000 rpm



Poz.

Naziv

Description

Designation

Descripcion

Kom.

broj Broj del a

1

57551101

Osovinica

2

57551102

Bočna podložka

3

57551130

Igličasti ležaj

4 (A) 51100602 Zupčanik za pogon

priključnog vratila

Gear

(B) 57554123

Zupčaik za pogon

priključnog vratila

Gear

5

55501018

Segerov prsten prsten

spoljni

7

57551180

Igličasti ležaj

8

57551003

Podložka

9

57551071

Pogonsko vratilo sa

zupčanikom

10

56053002

Bočna podložka

11

(A) 57551151 Prikjučno vratilo

(B) 57554153

Priključno vratilo

12

53203604

Segerov prsten unutrajni

13

53203610

Kuglični ležaj

14

53203404

Segerov prsten spoljni 15 56001950.Zaptivač simering

17

56001924

Prstenasta zaptivka

18

57551102

Bočna podložka

| | | | |
|---------------------|-------------------------|-----------------------|----|
| Pin | Axe | Pasador | 1 |
| Washer-side | Rondelle-lateral | Arandela lateral | 2 |
| Needle bearing | Roulement aux aiguilles | Cojinete de aguja | 3 |
| | Pignon | Engranaje | |
| | Pignon | Engranaje | |
| Snap ring | Bague seger-ext | Anillo exterior | |
| Bush | Bague | Buje | |
| Needle bearing | Roulement aux aiguilles | Cojinete de aguja | 2 |
| Washer | Rondelle | Arandela | |
| Driving shaft | Arbre motrice | Eje de accionamiento | |
| Washer-side | Rondelle-lateral | Arandela lateral | |
| P.T.O. shaft | Arbre de prise de force | Toma de fuerza | |
| P.T.O. shaft | Arbre de prise de force | Toma de fuerza | |
| Snap ring-inner | Bague seger-int | Anillo interior | |
| Ball bearing | Roulement | Cojinete de bola | |
| Snap ring-outer | Bague seger-ext | Anillo exterior | |
| Seal | Joint-simering | Junta | |
| Bush | Bugue au mortaise | Buje | |
| Seal | Bague/joint | Sello | |
| Washer-side | Rondelle-lateral | Arandela lateral | »P |
| Bush | Bague | Buje | |
| Cap | Cape | Capa | |
| Screw | Boulon | Tornillo | 2 |
| Retainer-tab washer | Plaque | Reborde-asegurador... | |
| Bolt | Vis | Tornillo | |
| Cover | Couvercle | Tapa | |
| | Goujon | Vastago | 2 |
| Stud-long | Goujon-long | Všstago | 4 |
| | | Caja reductor de | |
| Housing | Boitier | toma de fuerza | 1 |
| Seal | Joint-simering | Sello | 1 |
| Washer | Rondelle | Arandela | 1 |
| Lever | Manivelle | Palanca | 1 |
| Pin-flexible | Goupille - elast | Clavija elastica | 1 |
| Pin | Goupille | Clavija | 1 |
| Gasket | Joint | Sello | 1 |
| Bolt | Boulon | Perno | 6 |
| Gasket | Joint | Junta | 1 |
| Gear | Pignon | Engranaje | 1 |

20

56001203

Zaštitna kapa

21

55101006

Vijak

23

56001238

Vijak

24

56001171

Poklopac

25

53301607

Svorni vijak

(za kotvu lanca)

Stud

(za kotvu lanca)

27

56001211

Kućište reduktora

priključnog vratila

^ 8

53201150

Zaptivač - simering

30

51501016

Ručica

(C) 53201135

čivja

34

56001004

Zaptivka

35

56001011

Gonjeni zupčanik

(za pogon PV.)

SLIKA 5 - PRIKUJUČNO VRATILO ZA 540 i 1000 min¹ FIGURE 5 -

P.T.P. SHAFT FOR 540 AND 1000 r.p.m.

FIGURE 5 - ARBRE DE PRISE DE FORCE A 540 ET 1000 tr/min

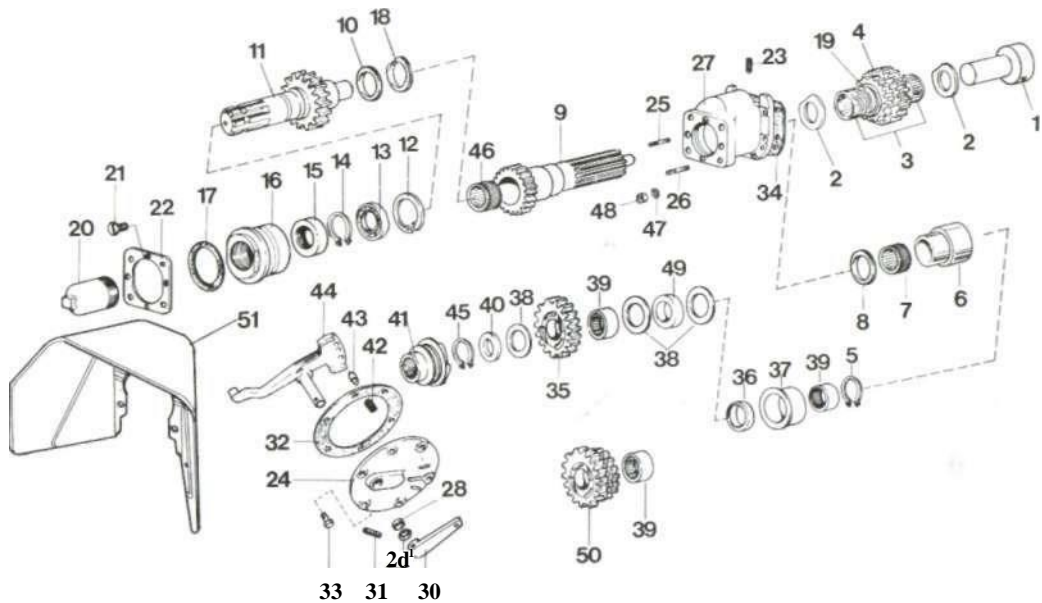
FIGURA 5 - TOMA DE FUERZA PARA 540 Y 1000 rpm

SUKA 5 - PRIKLJUČNO VRATILO ZA 540 i 1000 min⁻¹ RGURE 5

- P.T.O. SHAFT FOR 540 AND 1000 r.p.m.

RGURE 5 - ARBRE DE PRISE DE FORCE A 540 ET 1000 tr/min

RGURA 5 - TOMA DE FUERZA PARA 540 Y 1000 rpm



SLIKA 5 - PRIKLJUČNO VRATILO ZA 540 i 1000 min⁻¹ FIGURE 5 -
P.T.O. SHAFT FOR 540 AND 1000 r.p.m.

FIGURE 5 - ARBRE DE PRISE DE FORCE A 540 ET 1000 tr/min

FIGURA 5 - TOMA DE FUERZA PARA 540 Y 1000 rpm

| Poz. | Broj dela | Naziv Description | Designation Description | Kom . broj | | | |
|------|----------------|----------------------------------|----------------------------|------------|--|--|--|
| 36 | 56001006 | | Spacer | | | | |
| 37 | 56001604 | Nosač igličastog ležaja | Retainer | | | | |
| 38 | 56001007 | prsten zupčanika | Side ring | | | | |
| 39 | 56001610 | Igličasti ležaj | Needle bearing | | | | |
| 40 | 56001012 | Odstojnik | Spacer | | | | |
| 41 | 55501019 | Pomerljiva kandžasta spojnica | Coupler | | | | |
| 42 | 53201132 | Opruga šiljka | Spring | | | | |
| 43 | 53201133 | | Plunger | | | | |
| 44 | 51104820 | Zahvatni prst -sklop | Fork -assy | | | | |
| 45 | 56001922 | Segerov prsten, spoljni | Snap ring | | | | |
| 46 | 57551130 | Igličasti ležaj | Needle bearing | | | | |
| 47 | IS 2281-12 | Opružna podloška | Spring washer | | | | |
| 48 | IS2172-M12x1,5 | Navrtka | Nut | | | | |
| 49 | 56001008 | Odstojnik | Spacer | | | | |
| 50 | (D) 51100532 | Zupčanik dvogubi z | Gear z - 34/20 | | | | |
| 51 | 52704164 | Zaštitnik priklj. vrat Odstojnik | Shield P.T.O. | | | | |
| | | Bočni | | | | | |
| | | | Pignon double, z - 34/20 1 | | | | |
| | | | Protecteur PDF 1 | | | | |
| | | Šiljak | | | | | |

NAPOMENE: (A) Koristi se za 540 min⁻¹ NOTES: used for 540 r.p.m.
 NOTES: on fait usage a 540 min⁻¹
 NOTAS: Utilizado para 540 rpm

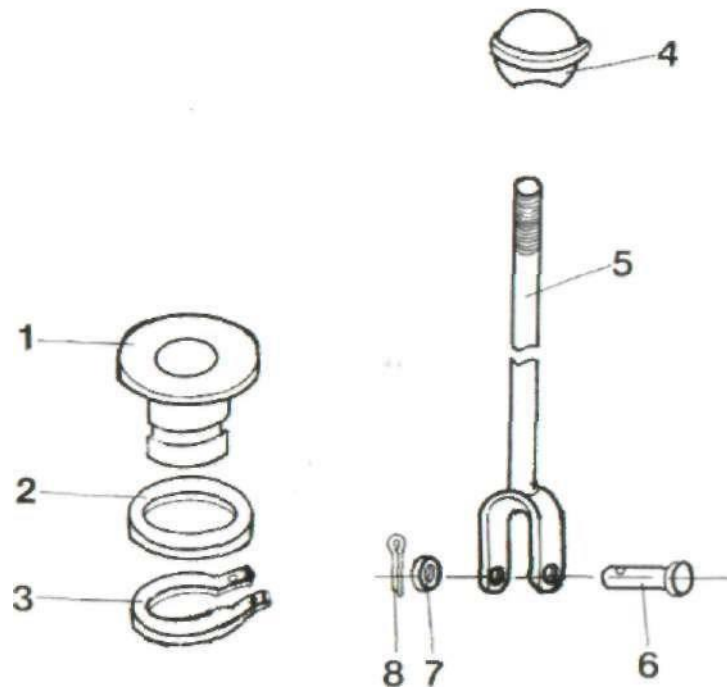
(B) Koristi se za 1000 min⁻¹ Used for 1000 r p m . On fait usage a 1000 min⁻¹ Utilizado para 1000 rpm.

(C) Alternativno Alternative
 Alternatif
 Alternativamente

| | | |
|-------------------------|----------------------|---------|
| Entretoise | Espaciador | 1 |
| | Portacojinete | |
| Bague support de aiguja | Bague Anillo lateral | lateral |
| | | 3 |
| Cojinete de | | |
| Biguilles aux | de aiguja | 2 |
| | Espaciador | 1 |
| Entretoise | | |
| | Acople | 1 |
| Attache aux griffes | Resorte | 1 |
| Ressort | Embolo | 1 |
| Pointe | Horquilla | |
| Fourchette | | |
| -joint | -ensamble | 1 |
| Bague | Anillo exterior | 1 |
| -seger-ext | | |
| Cojinete de | | |
| roulement aux | de aiguja | 1 |
| aiguilles | Arandela de | |
| Rondelle | ressorte | 6 |
| -ressort | Tuerca | 6 |
| Ecrou | Expaciador | 1 |
| Entretoise | Engranaje z - 34/20 | 1 |
| | Protector TDF | 1 |

(D) Koristi se samo za prednju vuču uz još jedan igličasti ležaj 560 01 610 (Poz. 39), a isključuje pozicije 35. 49, i kom Poz 38
 Used only for front wheel drive with one more needle bearing 56001610 (item No. 39), and excludes items No. 35, 49, and 1 piece of item No 38
 On fait usage seulement pour traction avant en ajoutant encore un roulement aux aiguilles 56001610 (Pos. 39), et elimine pos. 35. 49 et une part de pos. 38
 Utilizado solamente para traccion delantera con un otro cojinete de aiguja 56001610 (Pis No. 39), y excluye los renglones nos 35, 49 y una pieza del renglon No 38

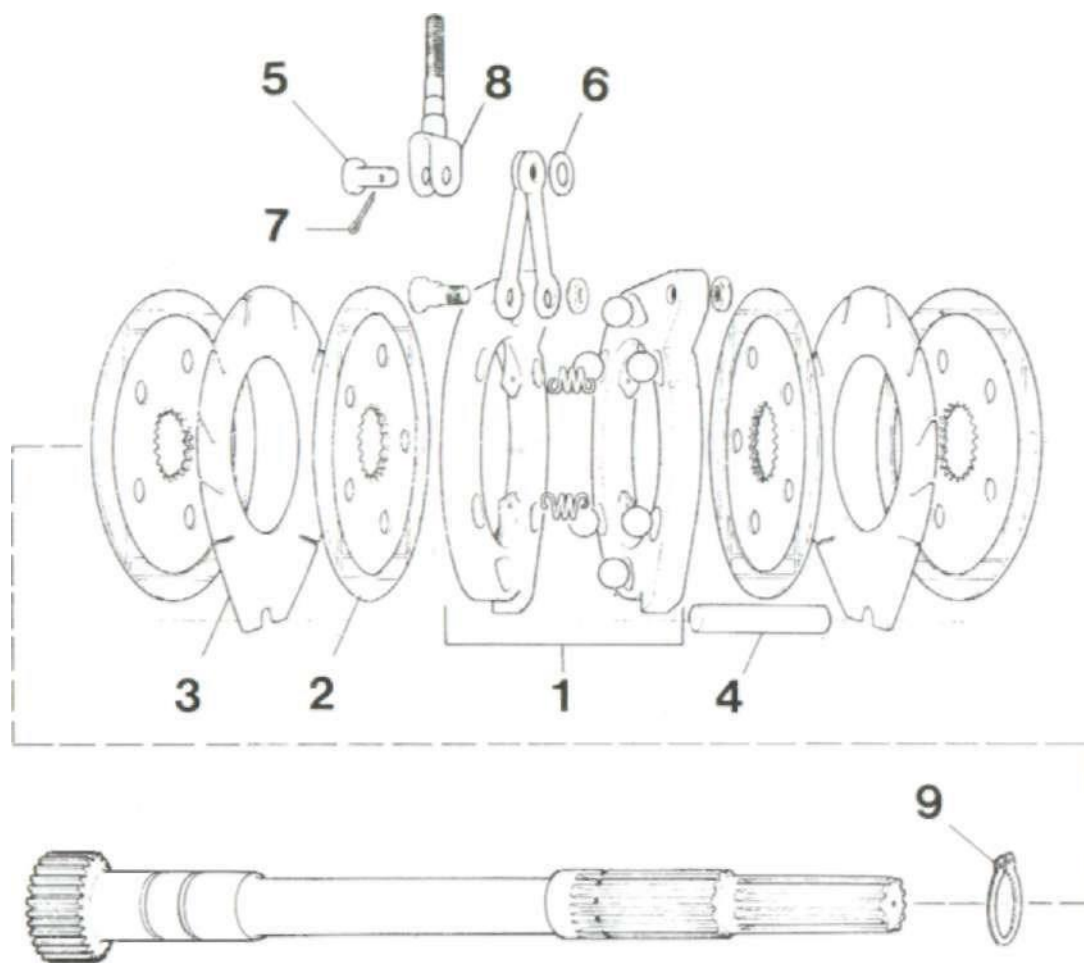
SUKA 6 - KOMANDA PRIKLJUČNOG VRATILA
FIGURE 6 - P.T.O. SHAFT CONTROL
FIGURE 6 - COMMANDE DE PRISE DE FORCE
FIGURA 6 - MANDO DE TOMA DE POTENCIA



SUKA 6 - KOMANDA PRIKLJUČNOG VRATILA
 RGURE 6 - P.T.O. SHAFT CONTROL RGURE 6 -
 COMMANDE DE PRISE DE FORCE
 RGURA 6 - MANDO DE TOMA DE POTENCIA

| Poz. broj | Broj dela | Naziv | Description | Designation | Descripcion | Kom. |
|--------------|-----------------------------|-----------|-------------|-----------------|---------------|------|
| 1. | 51508530 | Čaura | Bushing | Bague | Buje | |
| 2. | IS 2272-21 | Podloška | Washer | Rondelle | Arandela | |
| 3. | JUS M.C2401-20 | Uskočnik | Cirdip | Cirdip | Aro reten | |
| | | Kugla | Ball | Boule | Perilla | |
| 4. | 53305320 | Šipka | Rod | Tige | Varilla | |
| 5. | 51501510 | Osovinica | Pin | Axe | Perno | |
| 6. | IS 2351-10x2& | Podloška | Washer | Rondelle | Arandela | |
| 7. | IS 2272-10,5 a IS 2291-3x20 | Rascepka | Cotter pin | Goupille fendue | Pasador doble | |

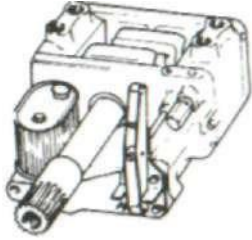
SLIKA 7 - KOČNICA DISKOSNA
FIGURE 7 - DISC BRAKE
FIGURE 7 - FREIN A DISQUE
FIGURA 7 - FRENO DE DISCO

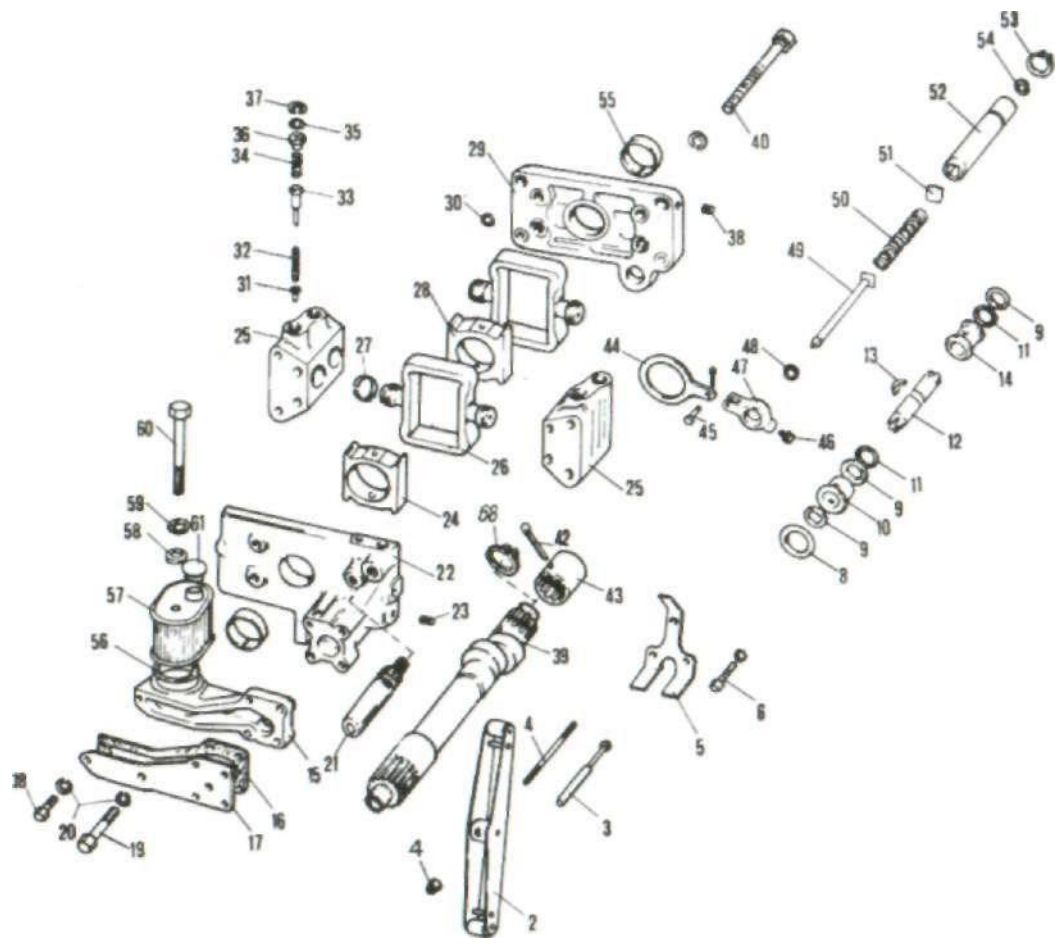


SLIKA 7 - KOČNICA DISKOSNA FIGURE 7 -
 DISC BRAKE
 FIGURE 7 - FREIN A DISQUE
 FIGURA 7 - FRENO DE DISCO

| Poz. broj | Broj del a | Naziv | Description | Designation | Descripcion | Kom. |
|---------------------|----------------|-----------------------------------|--------------------------|-----------------------------|--------------------------------------|-------------|
| | 51103860 | Kočnica - komplet | Brake - assy | Frein - ens | Freno - ens | 2 |
| 1 | 51100154 | Disk frikcionni - sklop | Disc - assy | Disque/ensem | Disco de friccion-ensamble | 2 |
| 2 | 51100155 | Lamela frikciona | Friction plate | Disque a friction | Placa de friccion | 8 |
| 3 | 51100156 | Međudisk | Disc | Entre disque | Entredisco | 4 |
| 4 | 51100878 | Osovinica kočnice | Pin | Axe | Pasador del freno | 2 |
| 5 | 51100151 | Osovinica | Pin | Axe | Pasador | 2 |
| 6 | IS 2271-17 | Podloška | Washer | Rondelle | Arandela | 2 |
| 7 | IS 2291-4x28 | Rascepka | Cotter pin | Goupille | Clavija | 2 |
| 8 | 51101045 | Zatega | Clamp | Tiret | Grapa | 2 |
| 9 | JUSM.C2.401-58 | Uskočnik | Circlip | Circlip | Tope del pasador | 2 |

FIGURE 8 - HYDRAULIC PUMP
FIGURE 8 - POMPE HYDRAUQUE
FIGURA 8 - BOMBA HIDRAULICA





Poz. broj **Broj del a**

Naziv

Description

Designation

Descripcion

| | | | | | | |
|---|--------------|------------------|----------------|-------------------|------------------|---|
| 1 | (A) 56002100 | Pumpa hidraulika | Hydraulic pump | Pompe hydraulique | Bomba hidraulica | 1 |
|---|--------------|------------------|----------------|-------------------|------------------|---|

(B)51201300

Pumpa hidraulika

Hydraulic pump

Pompe hydraulique

Bomba hidraulika

1

2

56002220

Dvokraka poluga-sklop

Rod-Assy

Levier a deux brass-ens. . .

Barra - ensemble

I

| | | | | | |
|---|----------|------------|--------|--------------------|---|
| 3 | 56002230 | Potiskivač | Roller | Repousseur Rodillo | 1 |
|---|----------|------------|--------|--------------------|---|

4 56002144 Svorni vijak Stud Goujon Vastago 1

53302126 Samoosiguravajuća navrtka. Nut Ecrou Tuerca 1 5 56002126 Limena vodica Guide Guide/tole Guia 1.

6 IS2103-M8x35

Vijak Bolt

Boulon

Perno

IS2281-A8

Opružna podložka

Spring washer

Rondelle ressort

Arandela de resorte

4

| | | | | | | |
|---|----------|----------|--------|----------|----------|---|
| 8 | 53202122 | Podložka | Washer | Rondelle | Arandela | 1 |
|---|----------|----------|--------|----------|----------|---|

10

53202121

Odstojnik kraći

Spacer, short

Entretoise

Espaciador, corto

1

| | | | | | | |
|----|----------|---------------------|--------|-------|---------------|---|
| 11 | 53202116 | Prstenasta zaptivka | Gasket | Joint | Empaquetadura | 2 |
|----|----------|---------------------|--------|-------|---------------|---|

13

53202119

Graničník Stop

Arret

Reten

1

14

53202117

Odstojnik duži

Spacer - long

Entretoise

Espaciador - largo

1

15

56002123

Nosač prečistača ulja

Support

Support

Soporte del filtro de aceite 1

53302145

Čep sa navojem, veći

Plug - big

Bouchon

Tapon roscado, largo

1

| | | | | | | |
|----|----------|----------|--------|-------|---------------|---|
| 16 | 56002124 | Zaptivka | Gasket | Joint | Empaquetadura | 1 |
|----|----------|----------|--------|-------|---------------|---|

17 56002125 Poklopac Cover Couvercle Tapa 1 18 IS2103-M6x12 Vijak Bolt Vis Perno 1

19 IS2103-M6x35 Vijak Bolt Vis. Perno 1.20 IS2281-A6 Opružna podložka Spring washer Rondelle ressort Arandela de resorte 2.21-56002210

Sigurnosni ventil Safety valve Soupape de securite Valvula de seguridad 1 22 (E) 51200906 Poklopac zadnji - sklop ... Cover, rear-assy

Couvercle/ens Tapa trasera-ensamble ... 1

23

53302145

Čep sa navojem, veći

Plug big

Bouchon

Tapon roscado, grande ... 3

24

53202103

Klizni kamen - zadnji

Block - rear Coulisse/arr Bloque - trasero

1

25

51200909

Kućište ventila

Chamber

Boitier

Caja de valvula

2

| | | | | | | |
|----|----------|---------------------|--------|---------------------|--------|---|
| 26 | 56002104 | Kulisa sa klipovima | Piston | Culisse aux pistons | Piston | 2 |
|----|----------|---------------------|--------|---------------------|--------|---|

| | | | | | | |
|----|----------|---------------|-------------|---------|------------------|---|
| 27 | 50602105 | Klipni prsten | Piston ring | Segment | Anillo de piston | 4 |
|----|----------|---------------|-------------|---------|------------------|---|

28

53202101

Klizni kamen - prednji

Block - front Coulisse/avant

Bloque - delantero

1

29

(F) 51200913

Poklopac prednji - sklop . . .

Cover, front-assy

Couvercle/ens

Tapa

delantera-ens 1

(A) 51200908

Poklopac prednji - sklop . . . Cover, front-assy

Couvercle/ens

Tapa delantera-ens

1

30

53202114

Prstenasta zaptivka

Gasket

Joint

Empaquetadura

9

31 53202106 Uisni ventil inlet valve Soupape d'admission Valvula de admision ____4

32 53202107 Opruga Spring Ressorst Resorte 4

| | | | | | |
|----|----------|----------------------|--------------------|---------|---|
| 33 | 53202108 | Potisni ventil Valve | Soupape a refouler | Valvula | 4 |
|----|----------|----------------------|--------------------|---------|---|

34 53202109 Opruga Spring Ressorst Resorte 4

35

53202111

Prstenasta zaptivka

Gasket

Joint

Empaquetadura_____4

| | | | | | | |
|----|----------|------------------|------|---------|---------------------|---|
| 36 | 53302112 | Čep nad ventilom | Plug | Bouchon | Tapon sobre valvula | 4 |
|----|----------|------------------|------|---------|---------------------|---|

37

53202113

Segerov prsten unutrašnji . . „0“-ring-inner

Bague - seger

Anillo „O“ -interno

4

38

53302192

Čep sa navojem - manji....

Plug - small Bouchon

Tapon-roscado-pequeno. . 2

39 (A) , (G) 55502170 Ekscentarsko vratilo sa

ležajem

Camshaft

Arte excentrique

Eje de levas

1

(B), (H) 51201320 Ekscentarsko vratilo sa

ležajem

Camshaft

Arbre-Excentrique

Eje de levas

1

SUKA 8 - PUMPA HIDRAULIKA

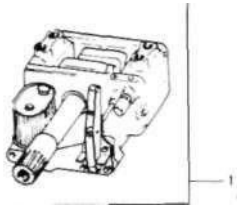
FIGURE 8 - HYDRAULIC PUMP

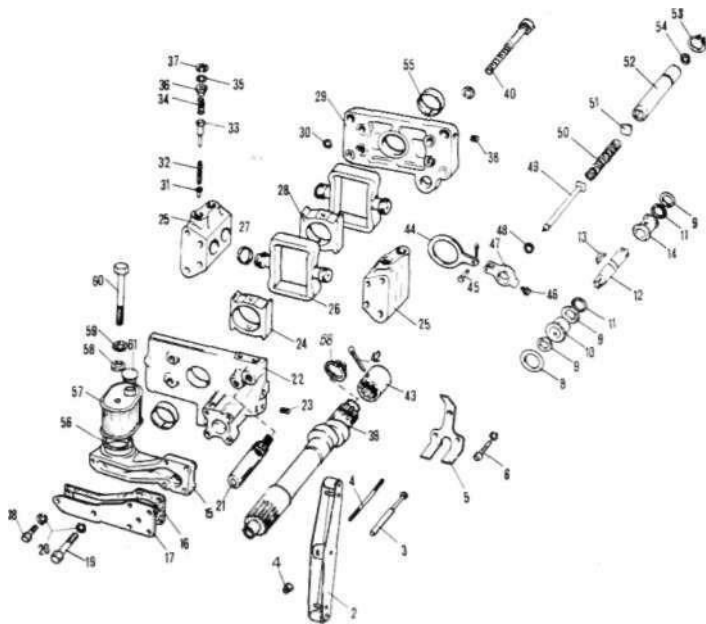
FIGURE 8 - POMPE

HYDRAULIQUE

FIGURA 8 - BOMBA HIDRAULICA

SLIKA 8 - PUMPA HIDRAULIKA
FIGURE 8 - HYDRAULIC PUMP
FIGURE 8 - POMPE HYDRAULIQUE
FIGURA 8 - BOMBA HIDRAULICA





Rubber lock

Circlip - outer
exterior.... 1

Bouchon en gomme
tubo de admision

Circlip Aro de reten -

<C> Poručiti zajedno sa poz 12 Order with
item No. 12
Commander avec pos. 12
Pedir con el renglon 12

(D) Poručiti zajedno sa poz 9
Order with item No. 9
Commander avec pos. 9
Pedir con el renglon No 9

(F) Obuhvata poz 38 i 55 (1 kom.)
Includes items No. 38 and 55 (1 piece)
Comprend pos. 38 et 55 (1 p)
Incluye los renglones nos. 38 y 55 (1 pieza)

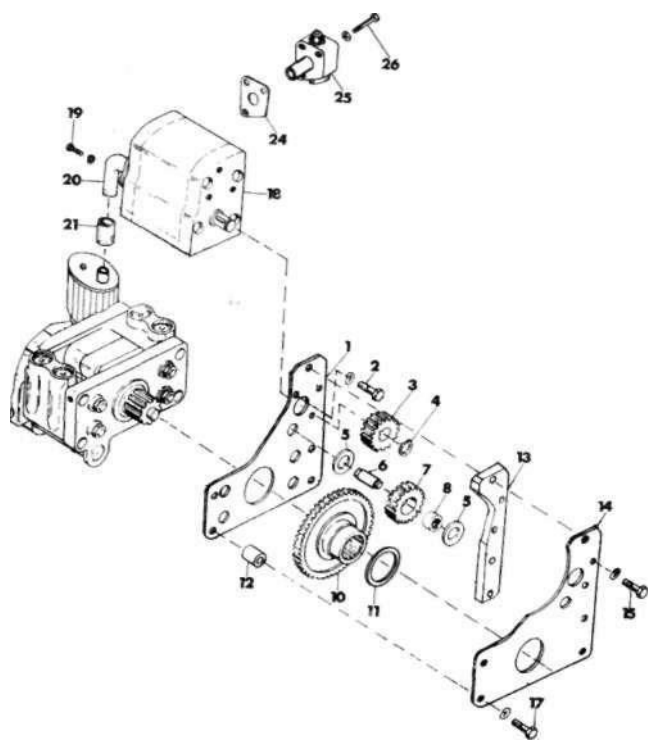
(G) Obuhvata delove 555 02 171 i 532 02 180 Includes
parts No 555 02 171 and 532 02 180 Compend parts
- 555 02 171 et 532 02 180 Incluye las partes no.
555 02 171 y 532 02 180

(E) Obuhvata poz 4, 23, 40 i 55 (1 kom.)
Includes items No. 4, 23, 40 and 55 (1 piece) Includes parts No 512 00 291 and 532 02 180 Comprend pos. 4, 23, 40 et
55 (1 p.) Comprend parts - 512 00 291 et 532 02 180 Incluye los renglones nos. 4, 23, 40 y 55 (1 Incluye las partes no
51200 291 y 532 02 180 pieza)

(H) Obuhvata delove 512 00 291 i 532 02 180

Incluye los renglones nos. 4, 23, 40 y 55 (1 Incluye las partes no
51200 291 y 532 02 180 pieza)

SLIKA 9 - PUMPA POMOĆNE HIDRAULIKE
FIGURE 9 - AUXILIARY HYDRALIC PUMP
FIGURE 9 - POMPE HYDRAULIQUE AUXILIAIRE
RGURA 9 - BOMBA HIDRAULICA AUXILIAR



SLIKA 9 - PUMPA POMOĆNE HIDRAULIKE
 FIGURE 9 - AUXILIARY HYDRAULIC PUMP
 FIGURE 9 - POMPE HYDRAULIQUE AUXILIAIRE
 FIGURA 9 - BOMBA HIDRAULICA AUXILIAR

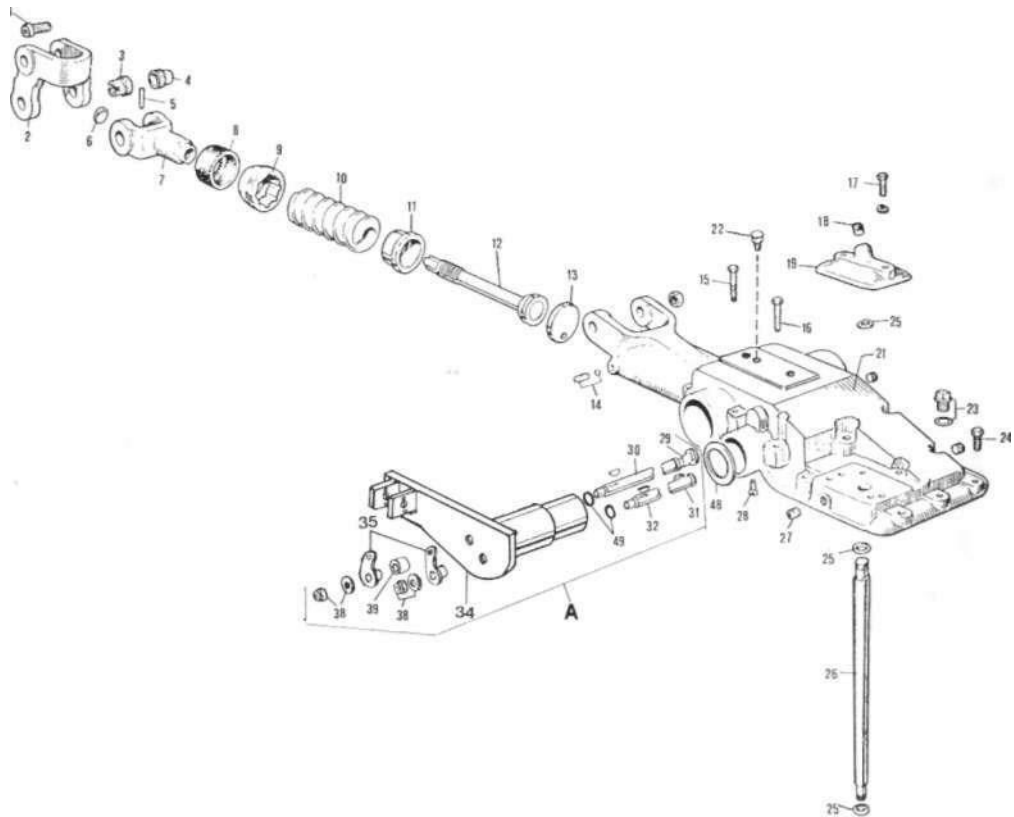
| broj | Broj del a | Naziv | Description | Designation | Description | Kom. |
|------------------|----------------|---------------------|-------------------|----------------|-------------|--|
| 1 | 52705013 | Ploča zadnja | Rate | Plaque | Placa | |
| 2 | 52705033 | Vijak Bolt | Vis | Tornillo | | |
| | JUSM.B2.151-C8 | Podloška elastična | | | | |
| | | lepezasta Washer | flexible Rondelle | Arandela | 3. 56055006 | Zupčanik gonjeni Gear Pignon |
| Engranaje | | | | | | |
| 4 | 56055007 | Uskočnik prstenasti | Ring | Circlip | | Aro reten |
| 5 | 52705011 | Podloška Washer | Rondelle | Arandela | | |
| 6 | 52705012 | Osovinica Pin | Axe | Pasador | | |
| 7 | 56055004 | Zupčanik posredni | Gear | Pignon | Engranaje 8 | 56055010 Ležaj igličasti |
| | | Bearing needle | Roulement | Cojinete | | |
| 10 | 52705006 | Zupčanik pogonski | Gear | Pignon | Engranaje | |
| 11 | 52705008 | Podloška Washer | Rondelle | Arandela | | |
| 12 | 52705009 | Odstojnik Spacer | Bague | Buje | | |
| 13 | 52705032 | Ploča odstojna | Plate | Plaque | Placa | |
| 14 | 52705014 | Ploča prednja | Plate | Plaque | Placa | |
| 15 | IS2101-M8X40 | Vijak Bolt | Vis | Tornillo | | |
| IS | 2281-8 | Podloška opružna | Washer spring | Rondelle | | Arandela |
| 17 | IS2101-M8x45 | Vijak Bolt | Vis | Tornillo | | |
| IS | 2281-8 | Podloška opružna | Washer-spring | Rondelle | | Arandela |
| 18 | (A) 52705060 | Pumpa zupčasta | Gear pump | Pompe | Bomba | |
| 19 | IS2103-M6x15 | Vijak Bolt | Vis | Tornillo | | |
| 20 | 52705070 | Prirubnica-sklop | Flange-assy | Couvercle Tapa | IS 2281-6 | Podloška opružna Washer-spring Rondelle Arandela |

| | | | | | | | |
|----|---------------|--------------------|---------------|------------|----------|--|-----------|
| 21 | 56055121 | Cev gumena | Hose | Durite | Tubo | | |
| 24 | 56055301 | Zaptivka Gasket | Joint | Selio „O“ | | | |
| 25 | 52705034 | Priključak odvodni | Connector | Collecteur | Multiple | | |
| | 52705015 | Zaptivka | "O" Ring | | Joint | | Selio „O“ |
| 26 | IS 2101-M8x40 | Zavrtka Screw | Vis | Tornillo | 3 | | |
| | IS 2281-8 | Podloška opružna | Washer-spring | | Rondelle | | Arandela |

3

NAPOMENA: (A) Set zaptivki br. 7677669
NOTE: Gasket kit No 7677669
NOTE: Jen des joints No 7677669
NOTA: Juego de juntas No 7677669

SLIKA 10 - POKLOPAC HIDRAULIČNOG PODIZNOG UREĐAJA
FIGURE 10 - HYDRAULIC LIFT COVER
FIGURE 10-COUCVERCLE DE RELEVAGE HYDRAULIQUE
FIGURA 10-TAPA DEL DISPOSITIVO HIDRAULICO DE IZAJE



Poz.

broj

Broj dela

Naziv

Description

1

533.02.324

Zavrtanj

IS2172-M12x1,5

Navrtka

Nut

3

532.02.464

šuplji rukavac 4

532.02.463

Šuplji rukavac

10

532.02.453

Opruga balansna

532.02.322

Osigurač završke

IS2281-A12

Podložka opružna

| | Designation | Descripcion | Kom. |
|----------------------------|-------------------------|----------------------------------|------|
| Bolt | Boulon | Tornillo | 2 |
| | Ecrou | Tuerca | 2 |
| Link-rocker | Basculeur | Emplame | .1 |
| Bushing | Bague | Buje | .1 |
| Bushing | Bague | Buje | .1 |
| | Axe | Pasador | .1 |
| | Bouchon | Tapon | .1 |
| Clevis | Chape | Horquilla | .1 |
| Boot | Capuchon | Capucha | .1 |
| Screw | Vis. | Tuerca | .1 |
| Balance spring | Ressort | Resorte | .1 |
| Seat | Siege | Asiento | .1 |
| Plunger | Rongeur | Embolo | .1 |
| Disc | Disque | Disco | .1 |
| Screw | Vis. | Tornillo | .1 |
| Ball | Bille | Bollito | .1 |
| Screw | Vis | Tornillo | 5 |
| Screw | Vis. | Tornilo | 2 |
| Screw | Vis | Tornilo | 2 |
| Spring washer | Rondelle | Arandela | 2 |
| Plug | Bouchon | Tapdn | .1 |
| Cover | Couvercle | Tapa | .1 |
| Poklopac podiz. uređaja | Cover | Tapa | .1 |
| | Breather Assy | Respirador | .1 |
| Plug | Bouchon | Tapon | .1 |
| Washer | Rondelle | Arandela | .1 |
| Screw | Vis. | Tornillo | 4 |
| Screw | Vis. | Tornillo | 2 |
| | Joint Torique | Sella | 5 |
| | Tubulure | Tube | .1 |
| | Bouchon | Tapon | 3 |
| | Vis. | Tornillo | .1 |
| Washer | Rondelle | Arandela | .1 |
| Roller | Galet | Rodillo | .1 |
| Pin | Axe | Pasador | .1 |
| Shaft | Axe | Pasador | .1 |
| Key | Cle | Ambos | .1 |
| Roller | Galet | Rodillo | .1 |
| Pin | Axe | Pasador | .1 |
| Shaft | Axe | Pasador | .1 |
| Key | Cle | Ambos | .1 |
| Komanda hidra u lika-sklop | Hydraulic controly assy | Arando del hidraulico, coniun | .1 |

532.02.354

Podložka gumirana

IS2102-M12x55

Zavrtka

27

533.02.352

Čep sa navojem

Plug

28

560.02.623

Zavrtka

Screw

JUS M.B2.

Pločica podložna

150-C8.4

532.02.662

Osovinica valjića

IS 2331-3x5

Klin segmentni 31

532.02.661 Valjčić

532.02.662

Osovinica valjića

.....
.....
.....
.....
.....
.....
.....
.....
.....
.....

32 51202878 Osovinica komande IS 2331 -3x5 Klin

.....

segmentni (A)51202830

SLIKA 10 - POKLOPAC HIDRAULIČNOG PODIZNOG UREĐAJA

FIGURE 10 - HYDRAULIC LIFT COVER

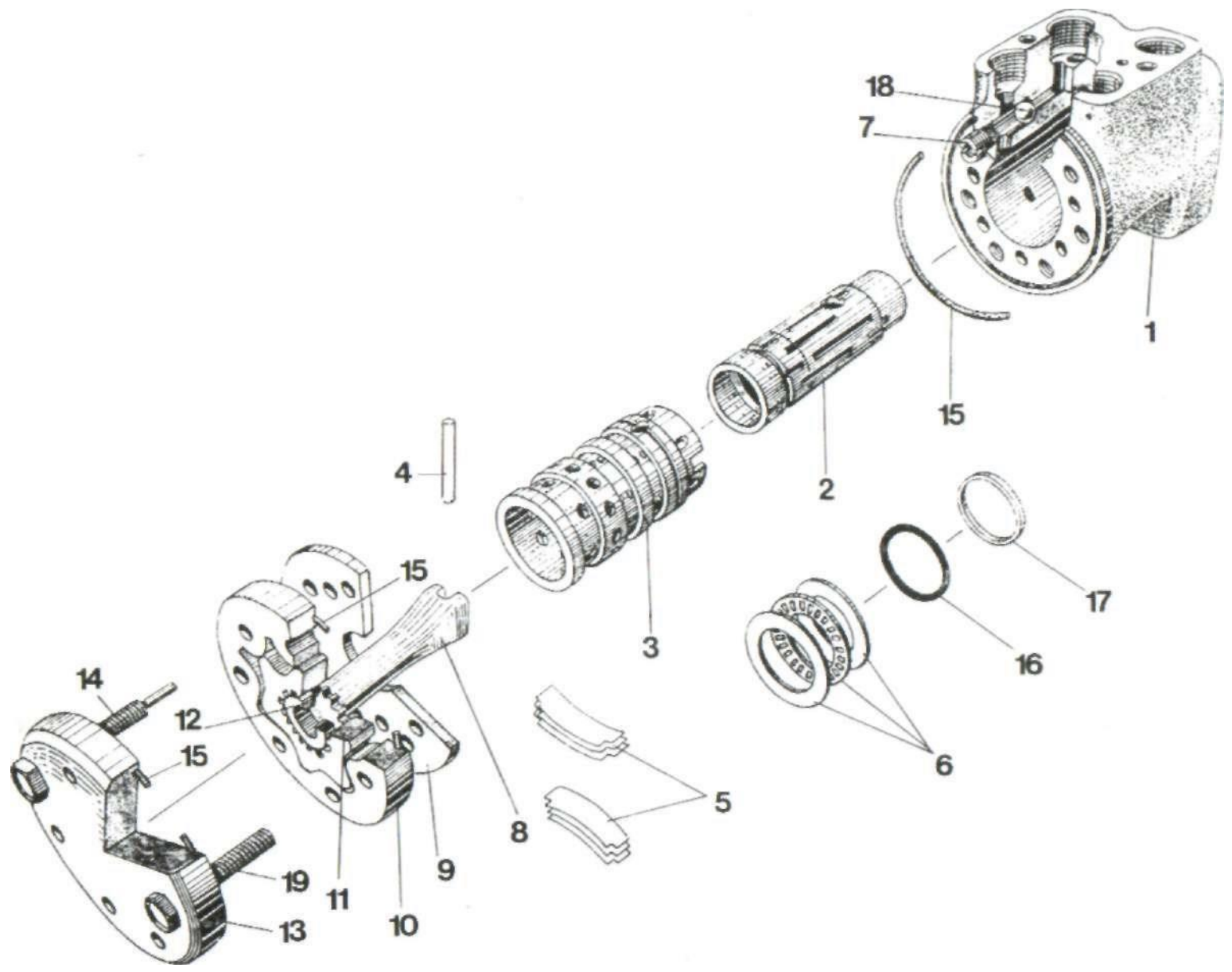
FIGURE 10-COUVERCLE DE RELEVAGE HYDRAULIQUE

FIGURA 10 - TAPA DEL DISPOSITIVO HIDRAULICO DE IZAJE

SLIKA 23/1 - STUB UPRAVLJAČA (ZF) FIGURA 23/1
 - STEERING COLUMN TUBE (ZF) FIGURE 23/1 -
 COLONNE DE DIRECTION (ZF)
 FIGURA 23/1 - COLUMNA DE DIRECCION (ZF)

| broj | Poz. | Broj dela | Naziv | Description | Designation | Descripcion | Kom. |
|------|------|-----------|----------|-----------------|---------------|-------------|------|
| 1 | | 7327703 | Omotač | Steering column | Tube | Tubo | 1 |
| 2 | | 7319486 | Vreteno | Spindle | Arbre | Eje | 1 |
| 3 | | 7319395 | Prsten | Ring | Segment | Aro | 1 |
| 4 | | 7318363 | Podmetač | Pad | Plaque | Placa | 1 |
| 5 | | 7318371 | Poklopac | Cover | Couvercle | Tapa | 1 |
| 6 | | 7318207 | Oprsten | „O-ring | Joint torique | Aro selio | 1 |
| 7 | | 5288071 | Klin | Key | Clavette | Claveta | 1 |
| 8 | | 4400321 | Podloška | Washer | Rondelle | Arandela | 1 |
| 9 | | 2307528 | Navrtka | Nut | Ecrou | Tuerca | 1 |

SLIKA 24 - OBRJNI RAZVODNIK
FIGURE 24 - ROTARY CONTROL VALVE
FIGURE 24 - DISTRIBUTEUR ROTATIF
FIGURA 24 - DISTRIBUIDOR ROTATIVO



SLIKA 24 - OBRTNI RAZVODNIK FIGURE 24
 - ROTARY CONTROL VALVE
 FIGURE 24 - DISTRIBUTEUR ROTATIF
 FIGURA 24 - DISTRIBUIDOR ROTATIVO

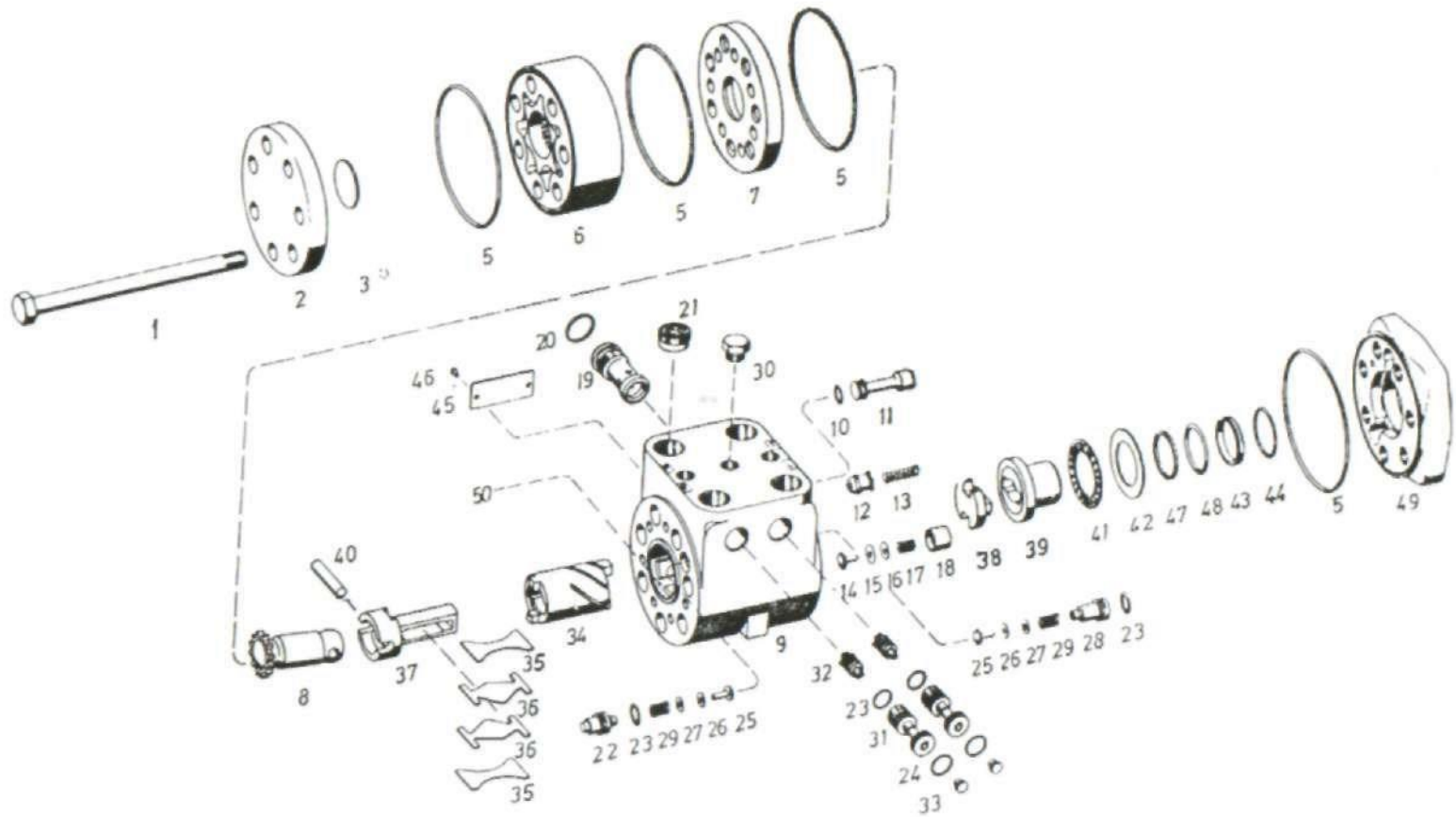
| Poz. broj | Broj del a | Naziv | NOTAS: | Producto de "PPT" - IMT No. 51505980 | C o m p r e n d p o s . |
|-----------|----------------|---------------------------------------|---|--|-------------------------|
| | | | Description | Designation | (B) |
| (A) | 100.1HNN37844 | Obrtni razvodnik | | | |
| (B) | 4082861 | Sklop kućišta ventila | Rotary control valve | Distributeur rotatif | |
| (C) | 4082886 | Sklop kućišta ventila | Kućište ventila sa navojnim priključkom | M22x1,5. obuhvata poz. 1, 2 i 3 Valve housing with thread connector M22x1,5 includes items 1, 2 and 3. Boitier de soupape au connecteur a filet M22x1.5. Comprend pos. 1, 2 et 3. Caja de valvula con empalme enroscado M22x1.5. Incluye las pos. 1, 2 y 3 | |
| 1 | | Kućište | Valve housing-assy | Boitier de soupape-ens... | |
| 2 | | Klip razvodnika | Housing | Boiter de soupape - ens. | |
| 3 | | Košuljica razvodnika | Distributor piston | Piston Distributor liner | |
| 4 | 4087753 | Čivija | Sheet spring | Ressort aux feuilles | |
| 5 | 8102525 | Lisnata opruga | Axial needle bearing | Roulem. a aiguilles ax. | |
| 6 | 8314021 | Aksijalni igličasti ležaj ANA 25x42x6 | ANA 25x42x6 | ANA 25x42x6 | |
| 7 | 4083846 | Navojni prsten | Ring Bague/a filet | | |
| 8 | 4082677 | Pogonsko vratilo | Drive shaft | Arbre motrice | |
| 9 | 4082652 | Ploča | Plate | Plaque | |
| (D) | 4082564 | Sklop sistema razvođenja | Distributing system | Systeme de distribut. | |
| 10 | | Spoljni prsten | Outer ring | Bague externe | |
| 11 | | Zvezdasti zupčanik | Starlike gear | Pignon etoile Inlaid ring | |
| 12 | 4024370 | Umetnuti prsten | Bague interposee | | |
| 13 | 4082660 | Poklopac | Cover | Couvercle | |
| 14 | 4082765 | Distantni vijak | Space bolt | Vis a distance | |
| 15 | (E) 8624075 | O-prsten 75x2 | "0"-ring 75x2 | O-bague - 75x2 | |
| | 16 (E) 8626630 | O-prsten 26x3 | "0"-ring 26x3 | O-bague - 26x3 | |
| 17 | (E) 4083862 | Prsten | Ring Bague Ball 8 mm | Balle 8 mm | |
| 18 | 8300200 | Kuglica 8 mm | Hexagon head bolt | Boulon | |
| 19 | 8175661 | Vijak sa šestougaonom glavom | | | |
| NAPOMENE: | (A) | Proizvod „PPT“. IMT broj 51505980 | (C) | Kućište ventila sa navojnim priključkom R1/2". Obuhvata poz. 1, 2 i 3. Valve housing with thread connector R1/2". Includes items 1, 2 and 3. Boitier de soupape au connecteur a filet R1 /2" Comprend pos. 1, 2 et 3. Caja de valvula con empalme enroscado R 1/2". Incluye las pos 1. 2 y 3 | |
| NOTES: | | Product of "PPT". IMT No 51505980 | (D) | Obuhvata poz. 10 i 11. Includes items No. 10 and 11. | |
| NOTES: | | Produit „PPT“ IMT No. 51505980 | | | |

Description Kom.
 Distribuidor rotativo Ensemble de la čaja de valvula
 Ensemble de la čaja de valvula
 Čaja
 Pistón
 Forro
 Pivote Muelle de hoja
 Cojinete axial de aguja
 ANA 25x42x6
 Anillo
 Arbol de accionamiento
 Raca Sistema de distribution ens Anillo

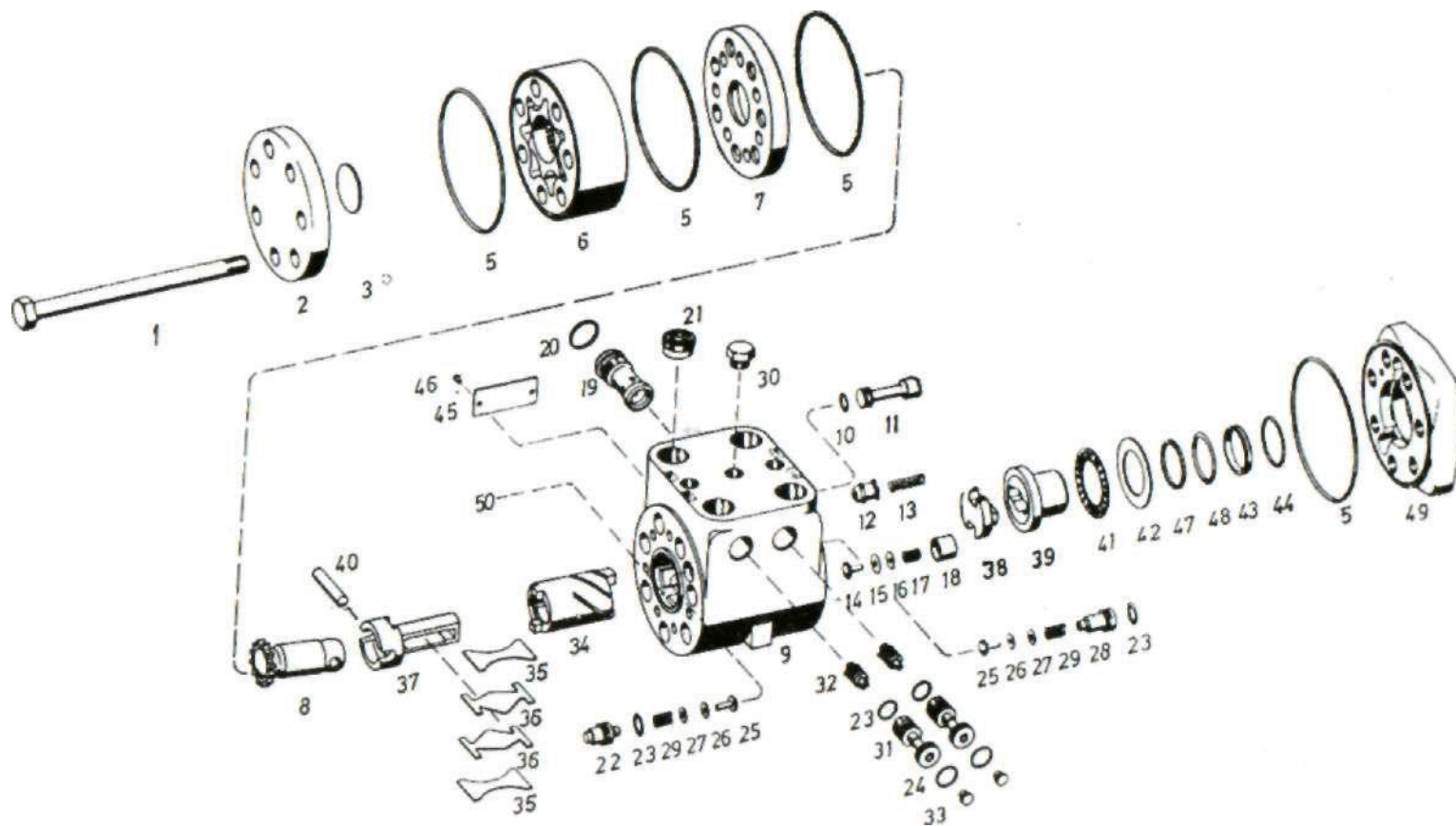
exterior Engranaje forma estrella
Anillo interpuesto
Tapa Perno espaciador
Anillo "O" 75x2 **3**
Anillo "O" 26x3
Anillo
Bolita 8 mm
Perno de cabeza
hexagonal **6**

(E) Set zaptivki br. 7679400 Gasket kit N9. 7679400
Jen des joints N°. 7679400
Juego de juntas N? 7679400

SLIKA 24/1 - OBRJNI RAZVODNIK (ZF)
FIGURE 24/1 - ROTARY CONTROL VALVE (ZF)
FIGURE 24/1 - DISTRIBUTOR ROTATIF (ZF)
FIGURA 24/1 - DISTRIBUIDOR ROTATIVO (ZF)



SLIKA 24/1 - OBRJNI RAZVODNIK (ZF)
FIGURE 24/1 - ROTARY CONTROL VALVE (ZF)
FIGURE 24/1 - DISTRIBUTER ROTATIF (ZF)
FIGURA 24/1 - DISTRIBUIDOR ROTATIVO (ZF)



SLIKA 24/1 - OBRTNI RAZVODNIK (ZF)
 FIGURE 24/1 - ROTARY CONTROL VALVE (ZF)
 FIGURE 24/1 - DISTRIBUTEUR ROTATIF (ZF) FIGURA
 24/1 - DISTRIBUIDOR ROTATIVO (ZF)

| Poz. | Broj dela | Naziv | Description | Designation | Descripcion | Kom. broj |
|------|-------------|---------------------------|-------------|------------------------|-------------|--|
| 46 | 3274792 | Ekser | | Rivet | | Clavette 2 Chaveta |
| 47 | (A) 7322241 | Zaptivni prsten | | Sealing ring | | Joint 1 Junta |
| 48 | (A) 7322233 | O-prsten | | „0"-ring | | Joint torique 1 Aro selio |
| 49 | 7320575 | | | Retainer. | | Disque 1 Disco |
| | | Klip ventila | | Valve piston | | Piston 1 Piston |
| | | Prirubnica | | | | |
| 50 | 7321276 | | | | | |

NAPOMENE:
 NOTES NOTES:
 NOTAS:
 (A) Set zaptivni br 7766546 Gasket kit
 No 7766546
 Jeu des joints No 7766546
 Juego de juntas No 7766546

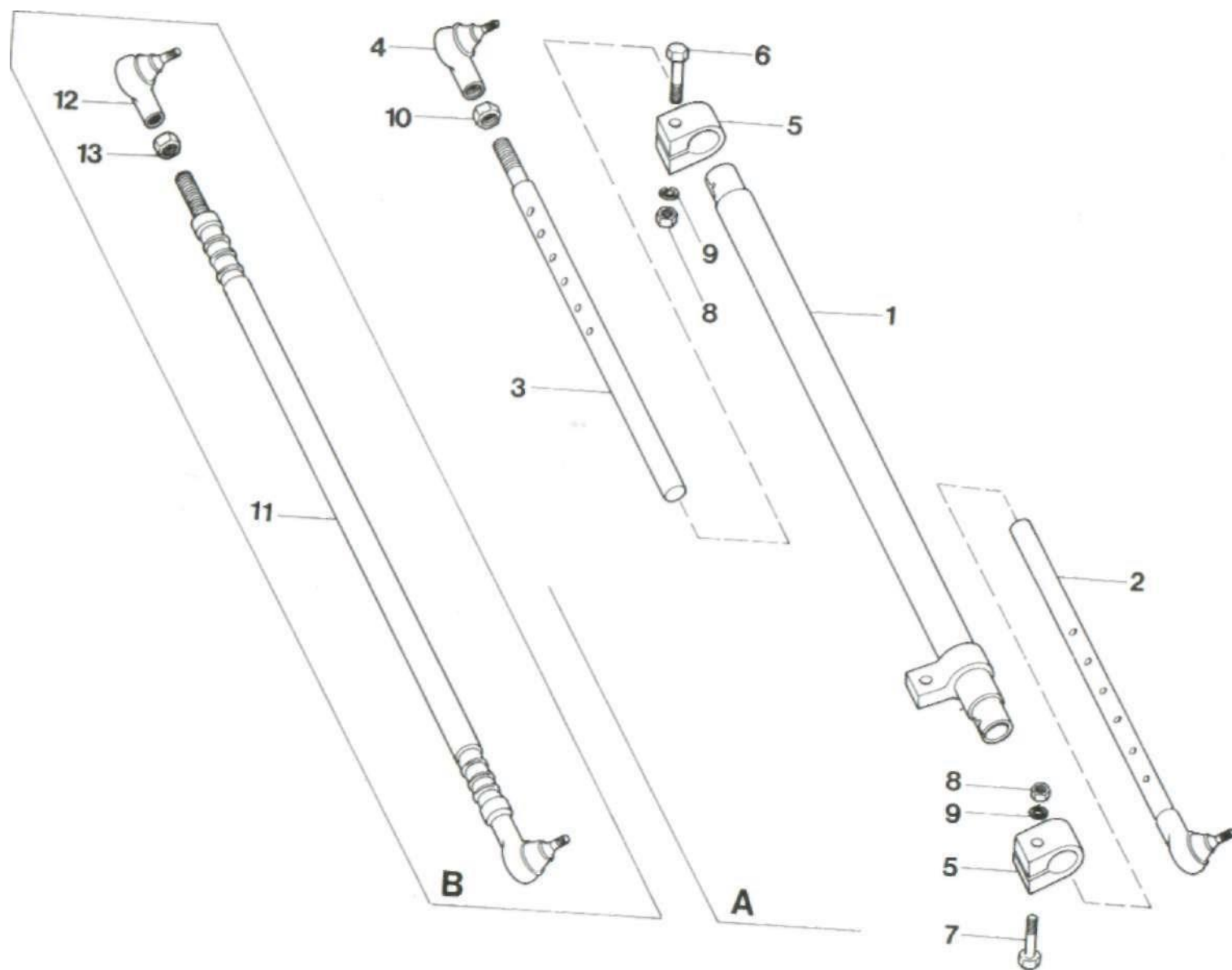
SLIKA 25 - VENTILSKA PLOČA
 FIGURE 25 - VALVE DISC
 FIGURE 25 - BLOC DE SOUPAPE
 FIGURA 25 - PLACA DE VALVULA

| | Naziv | Description | Designation | Descripcion | Kora |
|---|--|--|----------------------|----------------------|-------------|
| 1 | (A)5106471 (141-0800-08) (B) 4768214 | Ventilska ploča - sklop Valve disc-assy | Bloc de soupape-ens. | Placa de valvula-ens | 1 |

| | | | | | | |
|----|--|-------------------------|---------------------|---------------------------|-------------------------------------|---------------------|
| | (FS 1002-22x2) | | | | | |
| 4 | O-prsten, 22x2 | O-ring, 22x2 | O-bague, 22x2 | Anillo-O, 22x2 | | |
| 2 | 5103783 (141-0815) | Distantna čivija | Pivot - spacer | Goupille de distance | | |
| | Pasador espaciador 1 | Kuglica 5, klasa III | Ball 5, class III | Balle 5, classe III | | |
| 3 | 1308410 | Začepni vijak | Bolt | Boulon | (DIN5401-5/III) Bolita 5, clase III | |
| | | 2 | | | | |
| 4 | 2083327 (FS 10268-4) | | Seal | Joint | Pasador - espaciador 1 | |
| | Perno 2 | Distantna čivija | Pivot - spacer | Goupille de distance | Perno 1 | |
| 5 | 1841527 | | | | | |
| | JUS M.C4500 | Krunasti vijak | Bolt | Boulon | Asiento 1 | |
| | -A8x12) | | | | | |
| | Zaptivač Sello | | Seat | Siege | Resorte 1 | |
| | | 2 | | | | |
| 6 | 5094826 (141-0814) | | Spring | Ressort | Cierre 2 | |
| | | | Lock | Fermeture | Asiento de valvula 1 | |
| 7 | (141-0813) | Sedište ventila | Valve seat | Siege de soupape | Bolita 14, clase V 1 | |
| 8 | 5103767 (141-0812) | Sedište | Kuglica 14, klasa V | Ball 14, class V | Balle 14, classe V | Resorte 1 |
| 9 | 5103759 (141-0811) | | Spring | Ressort | Pasador cilindrico 5x10 ... 1 | |
| | Opruga 10 5103742 (141-0810) | Cilindrična čivija 5x10 | Cylinder Divot 5x10 | Goupille cilindrique 5x10 | Zatvarač | |
| 11 | 5103726 (141-0808) | Rascepka 3,2x16 | Cotter pin 3,2x16 | Goupille 3,2x16 | Chaveta 3,2x16 1 | |
| 12 | 1835347 (DIN5401-14/V) | Ventilska ploča | Valve disc | Block de soupape | Placa de valvula 1 | |
| 13 | 5103718 (141-0807) | O-prsten 8x2 | O-ring 8x2 | O-bague 8x2 | Anillo-O 8x2 2 | |
| | Opruga | | | | Perno 2 | |
| 14 | 1342518 JUS M.C2203-5x10) | | Bolt | Boulon | | |
| 15 | 1085687 (JUS M.B2300-3,2x16) | | | | | |
| 16 | 5544572 (141-0801-2) 17 (B) 4768158 (FS 10002-8x2) | | | | | |
| 18 | JUS M.B1.120-M 10x45 | Vijak | | | | |

NAPOMENE (A) IMT broj 51506010 (B) Set zaptivki br. 7679418
NOTES: IMT N° 515006010 Gasket kit No 7679418 **NOTES:** IMT N° 51506010 Jeu des joints No 7679418
NOTAS: IMT Nfi 51506010 Juego de juntas No 7679418

SLIKA 26-SPONE
FIGURE 26 - LINKS
FIGURE 26 - AGRAFE
RGURA 26 - BARRA



| Poz. broj | Broj dela | Naziv | NOTAS: | Utilizado c.cn tractor IMT-577 E |
|-----------|------------------|----------------------------|---------------------------|--|
| A | (A) 51502120 | Spona-sklop | SLIKA 26-SPONE | |
| 1 | 51502130 | Cev | FIGURE 26 - LINKS | |
| 2 | 51502140 | | FIGURE 26 - AGRAFE FIGURA | |
| 3 | 51500375 Šipka 4 | 55811040 Zglob 5 | 26 - BARRA | |
| | 55511608 Stega | | | |
| 6 | 51500511 | | Link-assy. | Agrafe-ensem Barra-ensamble 1 |
| | Vijak | | Pipe | Tube Tubo 1 |
| 7 | IS2102-M12x22 | Šipka sa zglobom | Rod with joint | Barre au pivot Barra con pivote 1 |
| | Vijak | | Rod | Barre Barra 1 |
| 8 | IS2171-M12 | | Joint | Pivot Pivote 1 |
| 9 | IS 2281-12 | | Clip | Serre-joint Grapa 2 |
| 10 | IS2175-M20x1,5 | | Bolt | Boulon Perno 1 |
| | B (B) 57511680 | Navrtka | Bolt | Boulon Perno 1 |
| 11 | 57511690 | Opružna podloška | Nut | Ecrou Tuerca 2 |
| 12 | 55811040 | Navrtka | Spring washer | Rondelle-ressort Arandela de resorte 1 |
| 13 | IS2175-M20x1,5 | Spona-sklop | Nut | Ecrou Tuerca 1 |
| | | Šipka sa zglobom | Link-assy | Agrafe-ensem Barra-ensamble 1 |
| | | Zglob | Rod with joint | Barre au pivot Barra con pivote 1 |
| | | Navrtka | Joint | Pivot Pivote 1 |
| | | | Nut | Ecrou Tuerca 1 |
| | | | Description | Designation |
| | | | | Descripcion |
| | | | | Kom. |

NAPOMENE:

(A) I
d
e
u
z
t
r
a
k
t
o
r
I
M
T
-
5
7
7
E
N
O
T
E
S
:

(B) Ide uz traktor IMT-577
OV E Used with tractor
IMT-577 DV E

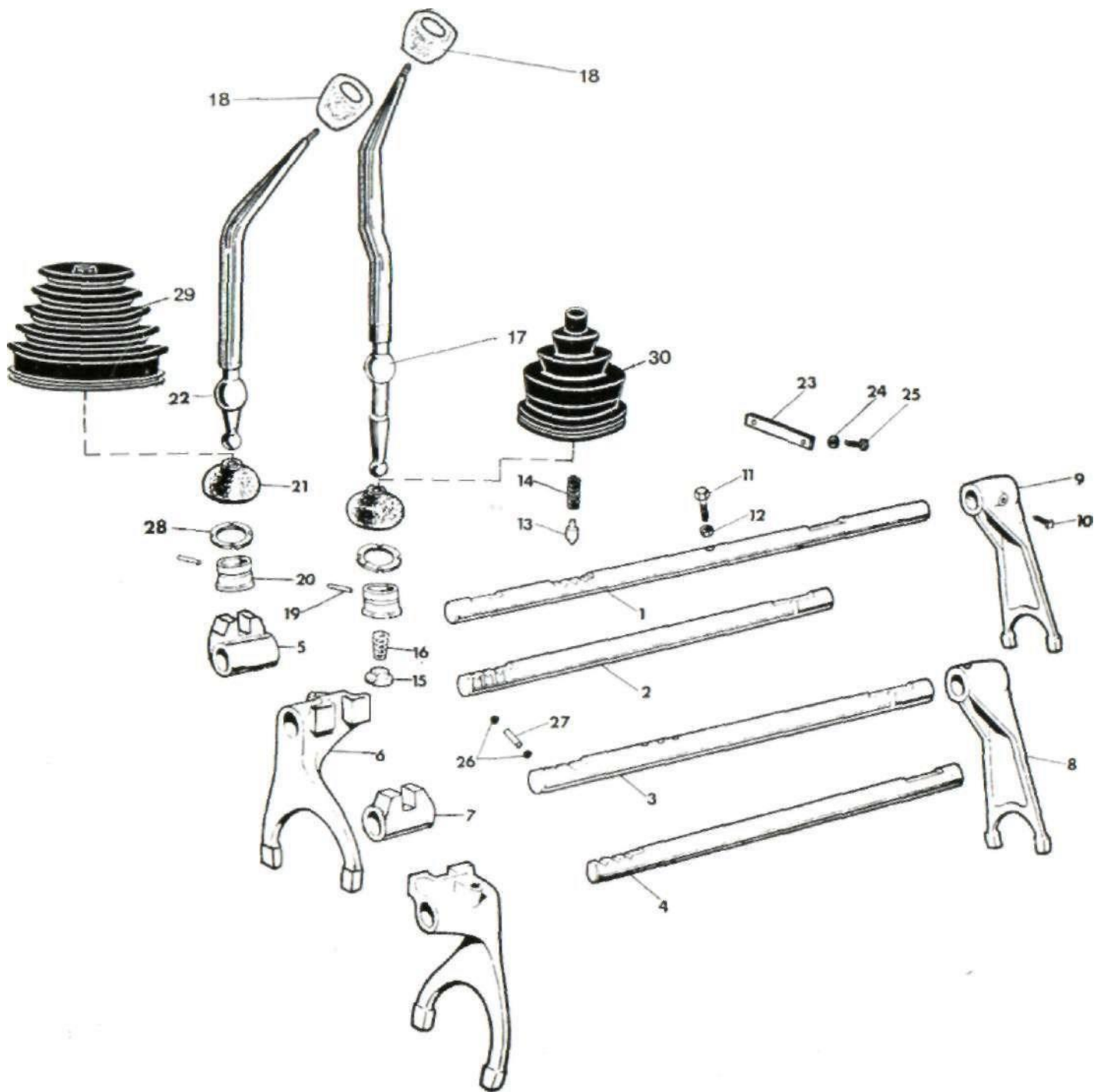
Fait usage avec de tracteur IMT-577 DV E
Utilizado con tractor IMT-577 DV E

Used with tractor IMT-577 E

NOTES:

Fait usage avec de tracteur IMT-577 E

SLIKA 27 - KOMANDE MENJAČA I REDUKTORA
TRANSMISSION AND PLANETARY UNIT CONTROLS
FIGURE 27 - LEVIERS DE BOITE DE VITESSES ET REDUCTEUR
FIGURA 27 - PALANCAS DEL CAMBIO



Poz. Broj dela Naziv Description Designation Descripcion Kom. broj

1

55503701

Šipka viljuške za

reduktor Rail

Carril

1

2

57703703

Šipka viljuške 1/6

brzine i hoda unazad rapp.

3

57703713

Šipka viljuške 4/9 i 5/10

brzine

Rail 4/9 and 5/10 rate . . . 1

4

57703702

Šipka viljuške 2/7 i

3/8 brzine

Rail 2/7 and 3/8 rate 1

5

53303705

Gurač šipke za

reduktor 1

i 1 /6 brzine rate 2 7 57703711 Gurač šipke 1

10

53303704

Vijak Bolt

VB

6

11

55503702

Vijak Bolt

VB

1

12

IS2172-M8x1

Navrtka Nut 1

13

53201133

Šiljak - čepić za fiksiranje

položaja uklj. prenosa 4 14

53201132 Opruga šiljka 4 15

53205316 Oslonac opruge 1 16

53205315 Kočiona

| | | |
|------------------------|--------------------------|------------------------|
| | Barre de fourchette | |
| | Barre de fourc. de | |
| Rail 1/6 rate | rapp. 1/6 | Carril 1/6 veloc |
| | Barre de fourc. de rapp. | |
| | 4/9, - 5/10 | Carril 4/9 y 5/10 |
| | Barre de fourc. de | |
| | rapp. 2/7, - 3/8 | Carril 2/7 y 3/8 veloc |
| Selector | Repousseur | Empujador |
| Fork 3/8, 2/7 and | Fourchette 3/8, | Horquia, veloc. 3/8, |
| | 2/7, 1/6 rapp | 2/7 y 1/6 |
| Selector | Repousseur | Empujador |
| | Fourchette de rapp, | Horquilla veloc. |
| Fork 4/9 and 5/10 rate | 4/9 - 5/10 | 4/9 y 5/10 |
| | Fourch. de reduc | Horquilla |
| | | Tornilk) |
| | | Tornillo |
| | Ecrou | Tuerca |
| Plunger | Pokite - arret | Embolo |
| Spring | Ressort | Resorte del embolo |
| Seat | Siege | Asiento |
| Spring | Ressort | Resorte |
| Lever | Manivelle | Palanca |
| Ball | Balle | Bola |
| | GoupHle | Pasador |
| | Rotule de balle | Taza |
| | Cape en gomme | Cubierta |
| | Manivelle | Palanca |
| | Support | Portabarras |
| Spring washer | Rondelle ressort | Arandela |
| | | Tornillo |
| | Balle | Bolita |
| | Clavette | Pasador |
| | Ecrou | Tuerca |
| Protection cap | Gomme de protection | Goma de proteccion |
| Protection cap | Gomme de protection | Goma de proteccion |

opruga 1 17

51501764 Ručica menjača 1 18

51501763 Kugla ručice 2

21

53205317

Ogrlica gumena

reduktora

Lever 1

23

57703708

Držáč sipki

Plate 1

25

53303606

Vijak Bolt

Vis

2

26

57703707

Kuglica - brava sipki za

promenu stepena

prenosa

Ball 2

Zaštitna

guma 1

Zaštitna guma 1

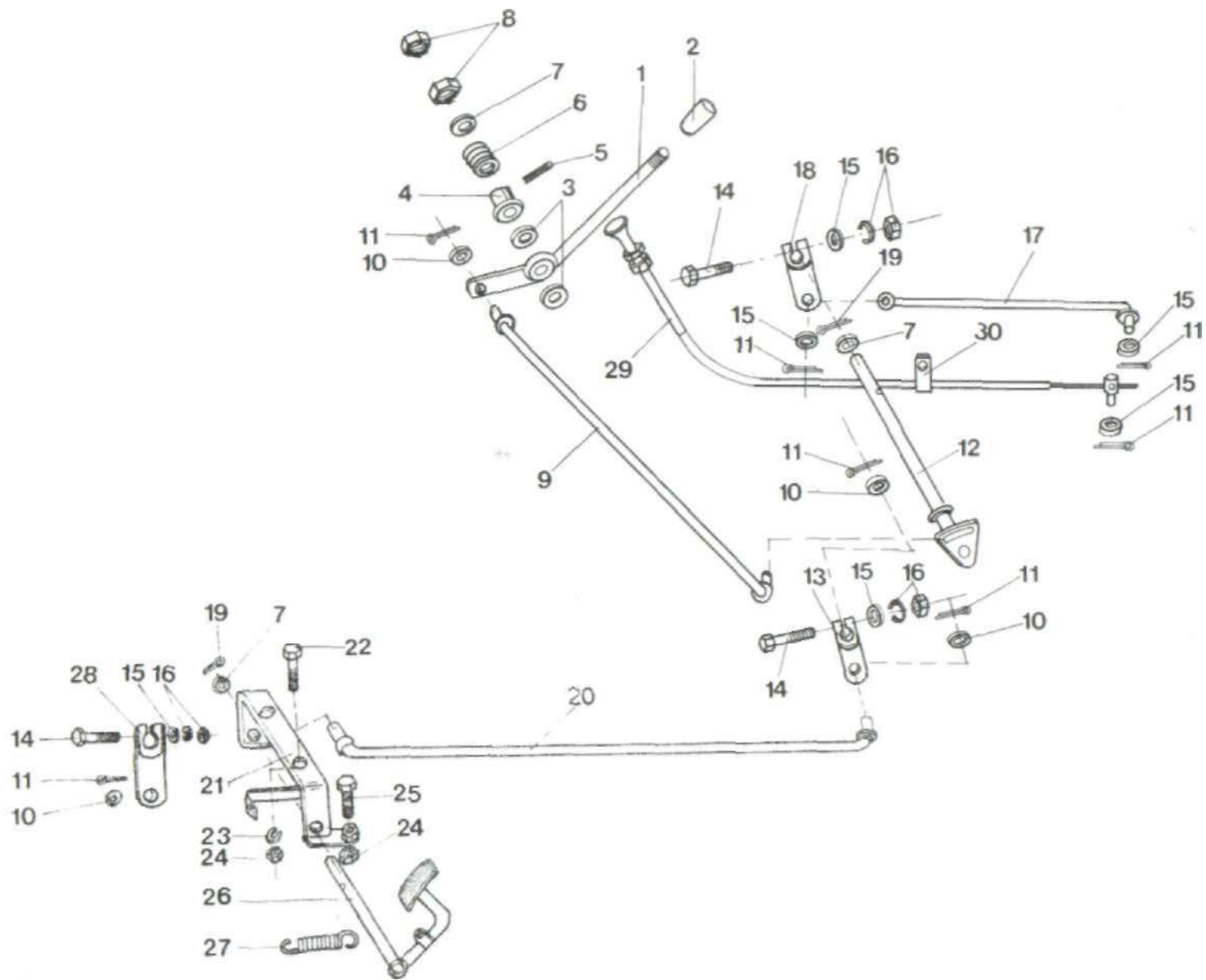
SLIKA -27 - KOMANDE MENJAČA I REDUKTORA

FIGURE 27 - TRANSMISSION AND PLANETARY UNIT CONTROLS

FIGURE 27 - LEVIERS DE BOITE DE VITESSES ET REDUCTEUR

FIGURA 27 - PALANCAS DEL CAMBIO

SLIKA 28 - KOMANDA ZA GAS I GAŠENJE MOTORA
FIGURE 28 - THROTTLE AND FUEL CUT-OFF CONTROLS
FIGURE 28 - COMMANDE DE GAS ET D'ARRET DE MOTEUR
FIGURA 28 - PALANCA DEL ACELERADOR Y APAGO DEL MOTOR



Poz.

Broj dela

Naziv

Description

Designation

Descripcion

Kom.

broj

2

51500828 3 51500998 4 51501039

6

51500822

Opruga

9

51508070

Šipka ručice

11 IS 2291-2x12 Rascepka 12 51509080 Kulisa

13

57705116

Uzengija

14 IS2101-M6x30 Zavrtanj

| | | | | |
|---|---------------------------|-----------------------------|----------------------------|---|
| Ručica komande | Lever | Levier | Palanca | 1 |
| Drška ručice | Handle | Poignee | Asidero | 1 |
| Podloška frikciona | Washer-friction | Disque | Disco | 1 |
| Podloška sa prorezom— čivija elastična | Washer | Rondelle | Arandela | 1 |
| | Pivot-flexible | Goupille | Pasador | 1 |
| | Spring | Ressort | Resorte | 1 |
| | Washer | Rondelle | Arandella | 3 |
| | Nut | Ecrou | Tuerca | 2 |
| | Rod | Tige | Varilla | 1 |
| | Washer | Rondelle | Arandela | 4 |
| | Cotter pin | Goupille fendue | Pasador doble | 7 |
| | Coulisse | Arbre | Eje | 1 |
| | Bracket | Levier | Palanca | 1 |
| | Bolt | Vis | Tornillo | 3 |
| | Washer | Rondelle | Arandela | 6 |
| Podloška opružna | Spring washer | Rondelle | Arandela | 3 |
| Navrtka | Nut | Ecrou | Tuerca | 3 |
| Šipka pumpe | Pump rod | Tige de pompe | Varilla de bomba | 1 |
| | Bracket | Levier | Palanca | 1 |
| | Cotter-pin | Goupille fendue | Pasador doble | 2 |
| | Pedal rod | Tige de pedale | Varilla de pedal | 1 |
| | Bracket | Support de pedale | Soporte de pedal | 1 |
| | Bolt | Vis | Tornillo | 2 |
| Podloška opružna | Spring washer | Rondelle | Arandela | 2 |
| | Nut | Ecrou | Tuerca | 3 |
| | Bolt | Vis | Tornillo | 1 |
| | Pedal | Pedale | Pedal | 1 |
| Povratna opruga | Reverse spring | Ressort | Resorte | 1 |
| | Bracket | Levier | Palanca | 1 |
| Komanda za gašenje | Fuel cut-off | Commande d'arret | Mando de apage | 1 |
| | control | de moteur | de motor | 1 |
| | Clamp | Collier | Abrazadera | 1 |

20

51509100

Šipka pedale

26

51508170

Pedala 27

51500997

28

57805119

Uzengija

29

51501494

motora

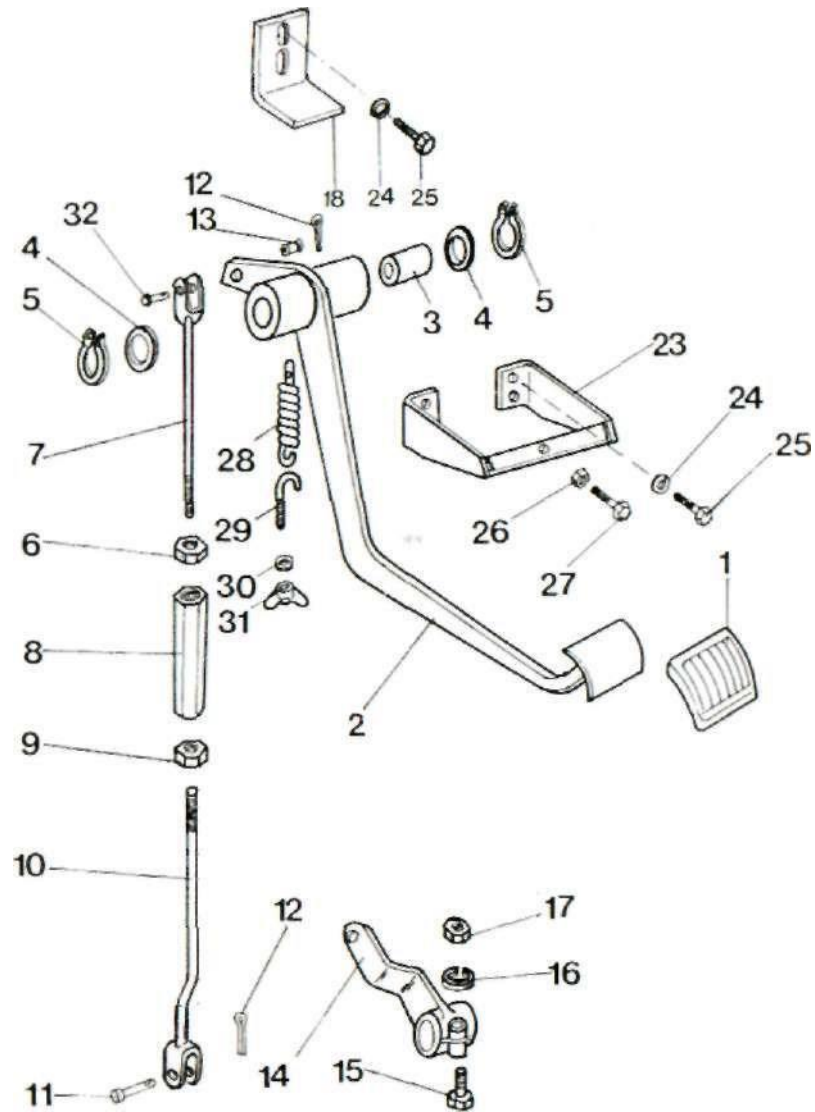
SLIKA 28 - KOMANDA ZA GAS I GAŠENJE MOTORA FIGURE 28 -

THROTTLE AND FUEL CUT-OFF CONTROLS

FIGURE 28 - COMMANDE DE GAS ET D'ARRET DE MOTEUR

FIGURA 28 - PALANCA DEL ACELERADOR Y APAGO DEL MOTOR

SLIKA 29 - KOMANDA SPOJNICE FIGURE 29 -
CLUTCH CONTROL
FIGURE 29 - COMMANDE D'EMBAYAGE
FIGURA 29 - MANDO DE EMBRAGUE



| | | | | |
|--|----------------------------|-------------------------------|---|---|
| Presvlaka gumena | Rubber cap | Cape en gomme | Cubierta de goma | 1 |
| Pedala spojnice - zavaren sklop | Pedal-assy | Pedale-ens. soupe | Pedal de embrague - ensamble soldado | 1 |
| Čaura | Bush | Bague | Buje | 1 |
| Podloška | Washer | Rondelle | Arandela | 2 |
| Segerov prsten-spoljnl | Sr.ap ring-outer | Bague seger-ext | Aniil --exterior | 2 |
| Navrtka | Nut | Ecrou | Iuerca | 1 |
| Sipka zatege-zav. sklop | Rod-assy | Barre de tiret -ens | Barra de grapa-ensamble | 1 |
| Zatega | Turnbuckle | Tiret | Grapa | 1 |
| Navrtka | Nut | Ecrou | Tuerca | 1 |
| Šipka zatege-zav. sklop | Rod | Barre de tiret -ens | Barra de grapa-ensamble | 1 |
| Osovinica | Pin | Axe | Pasador | 1 |
| Rascepka | Cotter pin | Goupille | Chaveta | 2 |
| Čaura sa žlebom | Bushing | Bague | Buje | 1 |
| Krak pedale kvačila | Arm | Bras de pedale | Brazo del pedal de embrague | 1 |
| Vijak | Bolt | Vis | Perno | 1 |
| Opružna podloška | Spring washer | Rondelle ressort | Arandela de resorte | 1 |
| Navrtka | Nut | Ecrou | Tuerca | 1 |
| Graničnik | Stop | Arret | Reten | 1 |
| Graničnik pedale spojnice | Limit-stop | Arret | Tope | 1 |
| Podloška elastična | Washer-flexible | Rondelle | Arandela | 4 |
| Vijak | Bolt | Vis | Tornillo | 4 |
| Navrtka niska | Retaining nut | Ecrou | Tuerca | 1 |
| Vijak | Bolt | Vis | Tornillo | 1 |
| Opruga povratna | Spring-reverse | Ressort | Resorte | 1 |
| Vijak | Bolt | Vis | Tornillo | 1 |
| Podloška | Washer | Rondelle | Arandela | 1 |
| Navrtka krilasta | Thumb nut | Ecrou | Tuerca | 1 |
| Osovinica | Pin | Axe | Perno | 1 |

SLIKA 29 - KOMANDA SPOJNICE

FIGURE 29 - CLUTCH CONTROL

FIGURE 29 - COMMANDE D'EMBRAYAGE

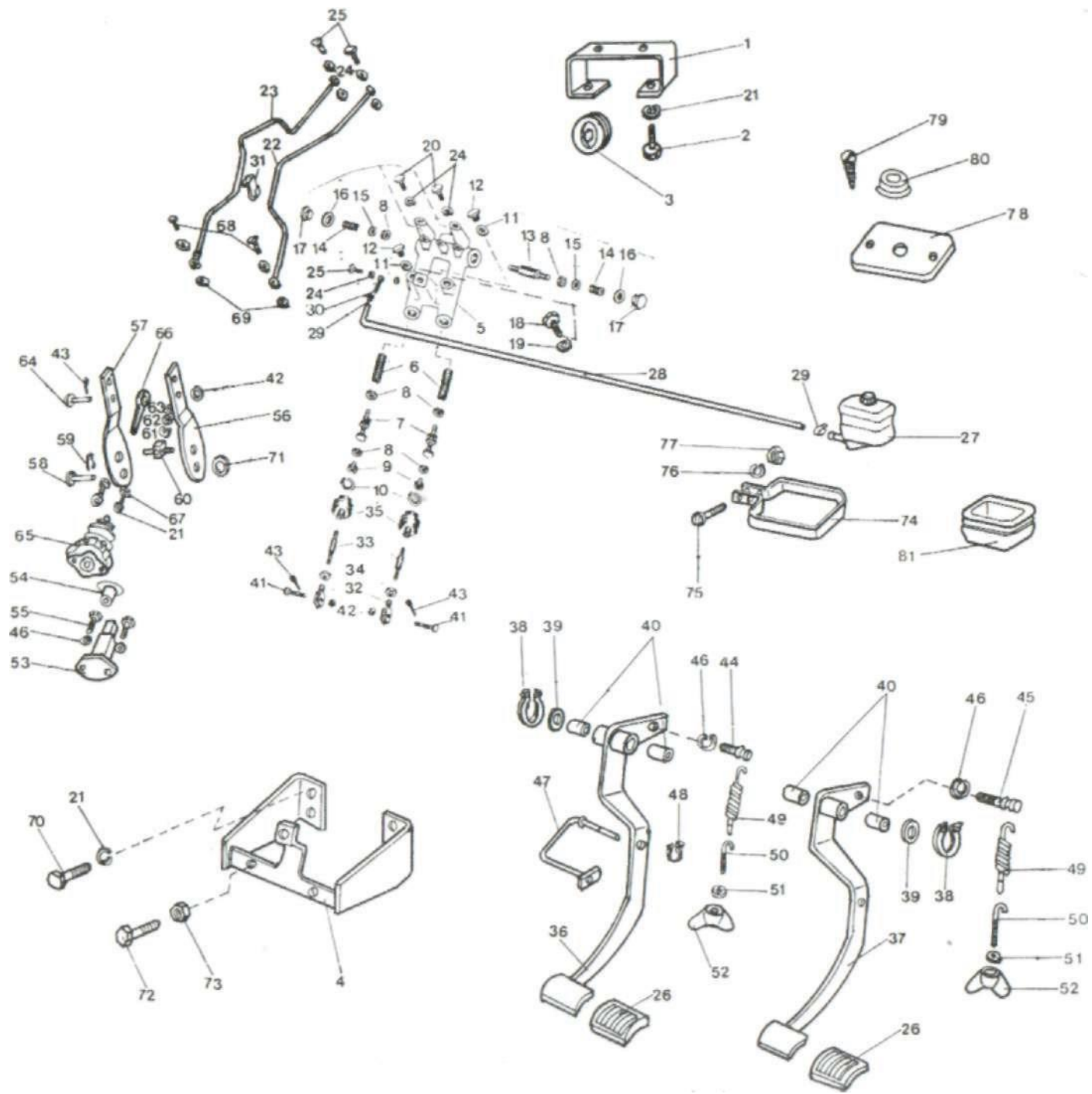
FIGURA 29 - MANDO DE EMBRAGUE

| Poz. broj | Broj dela | Naziv | Description | Designation | Description | Kom. |
|--------------|------------|----------|-------------|-------------|-------------|------|
| 1 | 51500186 2 | 51508970 | | | | |
| 3 | 56005721 | | | | | |
| 4 | IS 2271-30 | 2 | | | | |
| 5 | 56005702 | 2 | | | | |

6 IS2172-M10X1
7 51502355 8 51200258
9 IS2172-M10x1
10 51502357 11 53205406
12 IS 2291-3.2x20
13 56005633
14 51502127

15 IS2102-M12X60
16 IS 2281-12
17 IS2171-M12
18 51502353
23 51502359
24 IS 2281-8
25 IS2103-M8X15 26 IS2173-M8
27 IS 2103-M8 X 25 28 51500496
29 55597834
30 IS 2272-6
31 IS 2194-M6
32 56005632

SLIKA 30 - KOMANDA RADNE KOČNICE
30 - OPERATING BRAKE CONTROL
FIGURE 30 - COMMANDE DE FREIN
FIGURA 30 - CONTROLES DE FRENO



Poz.

Broj dela

Naziv

Description

Designation

Descripcion

Kom.

broj

Soutien de block des

Sosten de block de

| | | | | |
|---|----------|----------------------|------------------------------|-----------|
| 1 | 51501516 | Držáč blok cilindara | Cylinder block bracket . . . | cylindres |
|---|----------|----------------------|------------------------------|-----------|

2 IS2103-M8x20 Vijak Bolt.Vis

3

51501514

Uvodnik blok cilindara Grommet

Bague

4

51509960

Graničnik pedale kočnice . Stop Arret

5

56005421

Blok glavnih cilindara

Main cylinders block

Maitre cylindre block

6

56005422

Opruga Spring Resort

7

56005423

Klip Piston

Piston

8

56005424

Zaptivna gumica

Sealing rubber

Joint en gomme

9

56005425

Klip Piston

Piston

10 56005426 Segerov prsten "0"-ring Joint torique

11 56005427 Podložka bakarna Cupper washer Rondelle de cuivre

12

56005428

Čep Plug Bouchon

13

56005429

Klip za izravnanje pritiska . Piston Piston

14

56005434

Opruga Spring Resort

15

56005405

Podložka Washer Rondelle

16

56005435

Podložka bakarna

Copper washer

Rondelle de cuivre

17

56005435

Čep Plug Bouchon

18 IS2102-M12x65 Vijak Bolt Vis

19

IS 2281-12

Podložka elastična Spring washer

Rondelle elastique

20

IS2101-M8x20

Vijak

Bolt

Vis

21

IS 2281 -8

Podložka elastična Spring washer

Rondelle elastique

.....
.....
.....
.....
.....
.....
.....

22 51501413 Cev gumena savitljiva Hose Tuyau 23 51501412 Cev gumena savitljiva Hose Tuyau

.....
.....
.....

.....
.....
.....
.....
.....
.....
.....

.....
.....
.....
.....
.....

24

56005491

Podložka bakarna Washer Rondelle de cuivre

25

56005492

Vijak šuplji

Hollow bolt

Vis

26

51500186

Presvlaka gumena Plate

Plaque de gomme

Reservoir a huile

27

51504160

Rezervoar za kočiono ulje

Brake fluid reservoir

de freinage

28

51500678

Polivinil cev

PVC pipe

Tube

29

53806160

Stega cevi

Clamp Collier

30

51500674

Priključak okasti

Connection

Raccord

31

53818004

Obujmica

Clamp Collier

32

56005761

Viljuška ₂

Fork

Fourchette

33

56005762

Potiskivač

Pusher Poussoir

34

56005763

Navrtka Nut

Ecrou

| | | | | | | |
|----|----------------------|--|----|-------------|----------------------|--------------------------------------|
| | | cilindros | 1 | | | |
| | | Tornillo | 2 | | | |
| | | Buje | 2 | | | |
| | | Tope | 1 | | | |
| | | Block de cilindro | | | | |
| | | maestro | 1 | | | |
| | | Resorte | 2 | | | |
| | | Piston | 2 | | | |
| | | Junta de goma | 6 | | | |
| 35 | 56005406 | Guma zaštitna Rubber protective Gome de protection | | 36 51508910 | Poluga pedale - leva | Pedal lever, LH Levier de pedale - G |
| | | Aro selio | 2 | | | |
| | | Arandela de cobre | 2 | | | |
| | | Tapon | 2 | | | |
| | | Pistdn | 1 | | | |
| | | Resorte | 2 | | | |
| | | Arandela | 2 | | | |
| | | Arandela de cobre | 2 | | | |
| | | Tapon | 2 | | | |
| | | Tornillo | 1 | | | |
| | | Arandela elastica | 1 | | | |
| | | Tornillo | 2 | | | |
| | | Arandela elastica | 12 | | | |
| | | Manguera | 1 | | | |
| | | Manguera | 2 | | | |
| | | Arandela de cobre | 6 | | | |
| | | Tornillo | 3 | | | |
| | | Placa de gama | 2 | | | |
| | | Tanque de aceite para el frenaje | 1 | | | |
| | | Cano | 1 | | | |
| | | Abrazadera | 2 | | | |
| | | Conexion | 1 | | | |
| | | Abrazadera | 3 | | | |
| | | Harquilla | 2 | | | |
| | | Empujador | 2 | | | |
| | | Tuerca | 2 | | | |
| | | Gama de proteccičn | 2 | | | |
| | | Palanca de pedal-I | 1 | | | |
| | | Palanca de pedal-I | 1 | | | |
| | Levier de pedale - D | Palanca de pedal -D | 1 | | | |
| | Levier de pedale - D | Palanca de pedal-D | 1 | | | |
| | | Aro selio | 2 | | | |
| | | Arandela | 2 | | | |
| | | Buje | 4 | | | |
| | | Perno | 2 | | | |
| | | Arandela | 4 | | | |

(A) 51501362

Poluga pedale - leva Pedal lever, LH

Levier de pedale - G

37 51508930 Poluga pedale - desna . . . Pedal lever, R.H Levier de pedale - D

(A) 51501363

Poluga pedale - desna

Pedal lever - R.H

Levier de pedale - D

40

56005721

Ležišna čaura

Bearing bushing

Bague

41

53205406

Osovinica Pin

Axe

SLIKA 30 - KOMANDA RADNE KOČNICE

RGURE 30 - OPERATING BRAKE CONTROL

FIGURE 30 - COMMANDE DE FREIN

FIGURA 30 - CONTROLES DE FRENO

SLIKA 30 - KOMANDA RADNE KOČNICE
30 - OPERATING BRAKE CONTROL
RGURE 30 - COMMANDE DE FREIN
RGURA 30 - CONTROLES DE FRENO

| Poz. broj | Broj dela | 79 (B) S2167-3,9x9,5 | 80 (B) 53308324 81 | <r\ MRnnfifi7 Naziv | | | | |
|-----------|----------------------------|---|--------------------|------------------------|--------------------------|---------------------------|---|--|
| | | | | Catter-pin | Goupille fendue | Pasador doble | 4 | |
| | | | | Spring bracket - small | Soutien de ressort petit | Sosten de resorte pequeno | 1 | |
| | | | | Spring bracket - big | Soutien de ressort grand | Sosten de resorte grande | 1 | |
| 4 J | IS 2291 -3,2x20 | Rascepka | | Washer-flexible | Rondelle elastique | Arandela elastica | 6 | |
| 44 | 51501358 | Držač opruge manji | | Lock lever | Levier | Palanca | 1 | |
| 45 | 51501357 | Držač opruge veći | | Circlip | Circlip | Aro refen | 1 | |
| 46 | IS 2281-10 | Podloška elastična | | Spring-reverse | Ressort | Ressort | 2 | |
| 47 | 51508260 | Ručica za završavanje | | Bojt | Vis | Tornillo | 2 | |
| 48 | JUSM.CZ401-10 | Uskočnik prstenasti | | Washer | Rondelle | Arandela | 2 | |
| 49 | 51500496 | Opruga povratna | | Wing nut | Ecrou | Tuerca | 2 | |
| 50 | 55597834 | Vijak Podloška | | Support | Support | Soporte | 2 | |
| 51 | IS 2272-6 | Navrtka krilasta | | Seal-special | Joint | Junta | 2 | |
| 52 | IS 2194-M6 | Nosač dvokrakih poluga | | | Vis | Tornillo | 4 | |
| 53 | 51501406 | Zaptivač specijalni | | Release lever, R.H | Levier, droit | Palanca, derecha | 2 | |
| 54 | 51100770 | Vijak Dvokraka poluga - desna | | Release lever, LH | Levier, gauche | Palanca, izquierda | 2 | |
| 55 | IS 2101-M10x35 | Osovinica | | Tabwasher | Goupille fendue | Pasador doble | 2 | |
| 56 | 51501518 57 | Dvokraka poluga - leva | | Pin-special | Axe, speciale | Perno, especial | 2 | |
| | 51501517 | Osovinica specijalna | | Washer | Rondelle | Arandela | 2 | |
| | | Osigurač | | Nut. | Ecrou | Tuerca | 2 | |
| 58 | IS 2351-16x55x50 | Podloška | | | Ecrou | Tuerca | 2 | |
| 59 | 63840004 60 | Navrtka Navrtka | | Cylinder | Cylindre | Perno | 2 | |
| | 51500238 | Osovinica Cilindar kočioni radni | | Connecting rod | Bielle | Cilindro | 2 | |
| 61 | IS 2272-12 | Klipnjača radnog cilindra. Vijak Vijak šuplji | | | Vis | Biela | 2 | |
| 62 | IS2172-M12x1,5 63 | Zaptivka | | | Vis | Tornillo | 4 | |
| | IS2175-M12X1.5 | Vijak Podloška | | Gasket | Joint | Junta | 4 | |
| 64 | IS 2351-10x45x41 | Vijak Navrtka | | Bolt | Vis | Tornillo | 4 | |
| 65 | | Obujmica | | Washer | Rondelle | Arandela | 2 | |
| 66 | 51506280 | Vijak Podloška elastična | | Bolt | Vis | Tornillo | 2 | |
| 67 | 51501037 | Navrtka Poklopac | | Nut | Ecrou | Tuerca | 2 | |
| 68 | IS2101-M8x40 69 | Vijak za lim | | Clamp | Collier | Abrazadera | 1 | |
| | JUS M.B6.883-B4 | Uvodnik | | Bolt | Vis | Tornillo | 2 | |
| | JUS M.C4.500 A10x14 | Nosač rezervoara | | Washer-flexible | Rondelle elastique | Arandela elastica | 2 | |
| | | Description | | Nut | Ecrou | Tuerca | 2 | |
| 70 | IS2103-M8x15 71 IS 2272-16 | Designation | | Cover | Couvercle | Tapa | 1 | |
| | | Descrpcion | | Setscrew | Vis | Tornillo | 2 | |
| 72 | IS2103-M8x25 | Kom. | | Grommet | Bague | Buje | 1 | |
| 73 | IS2173-M8 | | | Sump support | Support | Soporte | 1 | |
| 74 | (B) 51500668 | | | Bolt | | | | |
| 75 | (B) IS2135-M5x12 | | | Pin | | | | |
| 76 | (B) IS2281-5 | | | | | | | |
| 77 | (B)IS2171-M5 | | | Nut Pin | | | | |
| 78 | (B) 51501317 | | | | | | | |

Bolt

Bolt

SLIKA 30 - KOMANDA RADNE KOČNICE RGURE
30 - OPERATING BRAKE CONTROL
FIGURE 30 - COMMANDE DE FREIN
RGURA 30 - CONTROLES DE FRENO

NAPOMENE : (A) Koristi se uz traktor sa kompresorom. Isključuje pozi-

NOTES : cije 26, 36 i 37 Used with tractor with compressor Excludes items' Ne

NOTES : 26, 36 and 37.

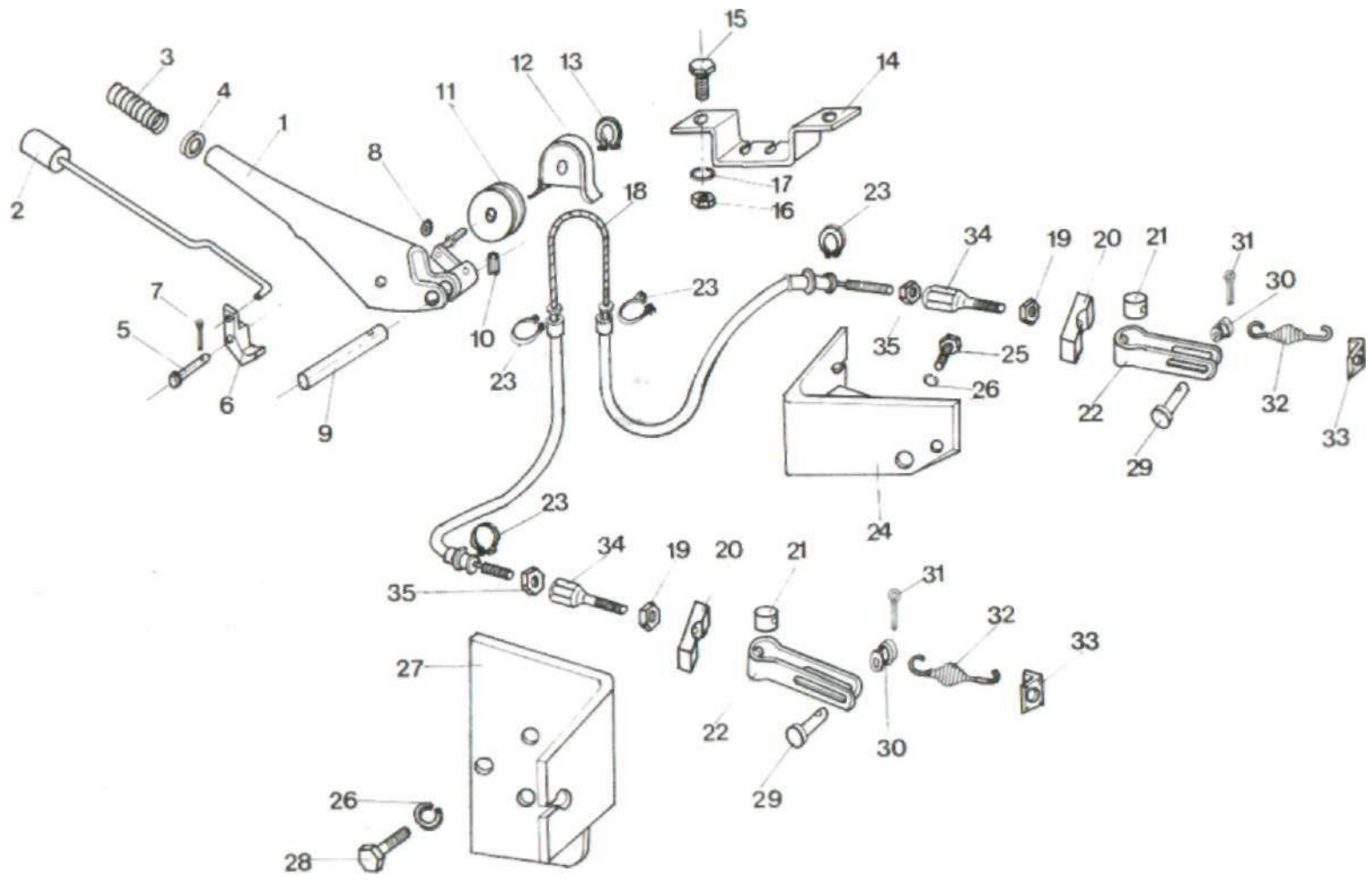
NOTAS : S'utilise avec le tractor a compresseur. Ne comprend pas REF No. 26, 36
et 37.
Se utiliza con ee tractor con compresor. Excluye ITEM Ne 26,
36 y 37.

(B) Koristi se uz traktor sa kabinom. Isključuje poziciju 81 Used with tractor with cab
Excludes item.No. 81. S'utilise avec le tracteur avec cabine.-Ne comprend pas
REF No. 81.

Se utiliza con el tractor con cabina. Excluye ITEM N». 81.

(C) Koristi se uz traktor bez kabine Used with tractor without cab. S'utilise avec le
tracteur sans cabine Se utiliza con el tractor sin cabina.

SLIKA 31 - KOMANDA PARKIRNE KOČNICE
FIGURE 31 - HANDBRAKE CONTROL
FIGURE 31 - COMMANDE DE FREIN A MAIN
FIGURA 31 - PALANCA DEL FRENO DE MANO



| Poz. | Broj dela | Naziv | Description | Designation | Descripcion | Kom. |
|------|-----------|-------|-------------|-------------|-------------|------|
|------|-----------|-------|-------------|-------------|-------------|------|

broj

1 51505430 Ručica Lever Levier Palanca 1

2

54005590

Šipka ručne

kočnice

Rod

Tige

Varilla

3 54005513 Opruga pritisna Spring Ressorrt Resorte

4 54005543 Podložka Washer Rondelle Arandela 5. IS 2351-6x28x25,5 Osovinica Pin Axe Perno

6

54005512

Skakavica

Pawl

Cliquet Trinquete

7

IS 2291-1.6x10

Rascepka

Cotter pin

Goupille fendue

Pasador doble

9

51500275

Osovinica

Pin

Axe

Perno

10

JUS M.C2230-6X36

Čivija elastična

Pivot - flexible

Goupille elastique Pasador elastico

11

51500925

Kotur

Brake pulley

Poulie de frein

Polea del freno

12

51501285

Lim zaštitni

Protective sheet metal . . .

Protector Proteccion

13

JUSM.C2401-15 Prstenasti uskočnik

Circlip

Circlip

Aro refer

14

51501515

Držač komande Bracket Soutien Sosten

15 IS2103-M10x20 Zavrtanj Bolt Vis Tomillo 2

16 IS2171-M10 Navrtka Nut Ecrou Tuerca 2

17

IS 2281-10

Podložka opružna Spring washer

Rondelle Arandela 2

18

51501742

Komanda kočnice Brake control

Commande de frein

Mando de freno 1

19 IS2175-M10X1 Navrtka Nut Ecrou Tuerca 2

20

54005553

Podloška specijal Washer - special Rondelle, special Arandela, especial 2

21

54005552

Držač zatege

Retainer Soutien Sosten 2

22

51501751

Viljuška zatege

Fom

Fourchette

Horquilla 2

23

JUSM.C2401-14 Prstenasti uskočnik

Circlip

Circlip

Aro reten 4

24

51509460

Držač komande

desni

Support, R.H

Soutien, droit

Sosten, olerecho

1

25 IS2104-M12x28 Zavrtanj Bolt Vis Tornillo 2

26

IS 2281-12

Podložka opružna Spring washer

Rondelle Arandela 5

27

51501416

Držač komande

levi

Support, L.H

Soutien, gauche

Sosten, izquierdo

1

28 IS2104-M12X20 Zavrtanj Bolt Vis Tornillo 3

29

IS 2351-10x60x55 Osovinica

Pin

Axe

Perno 2

30

51500288

Čaura sa žljebom Bushing Bague Buje 2

31 IS 2291-3,2x20 Rascepka Cotter pin Goupille fendue Pasador doble 2

32

51500737

Opruga povratna Spring - reverse Ressort Resorte 2

36

51500236

Držač povratne opruge . . . Bracket

Soutien

Sosten

2

34

51501749

Zatega Turnbuckle

Raccord Tensor roscado 2

35 IS 2175-M10x1 Navrtka (levi navoj) Nut (thread LH.) Ecou Tuerca 2

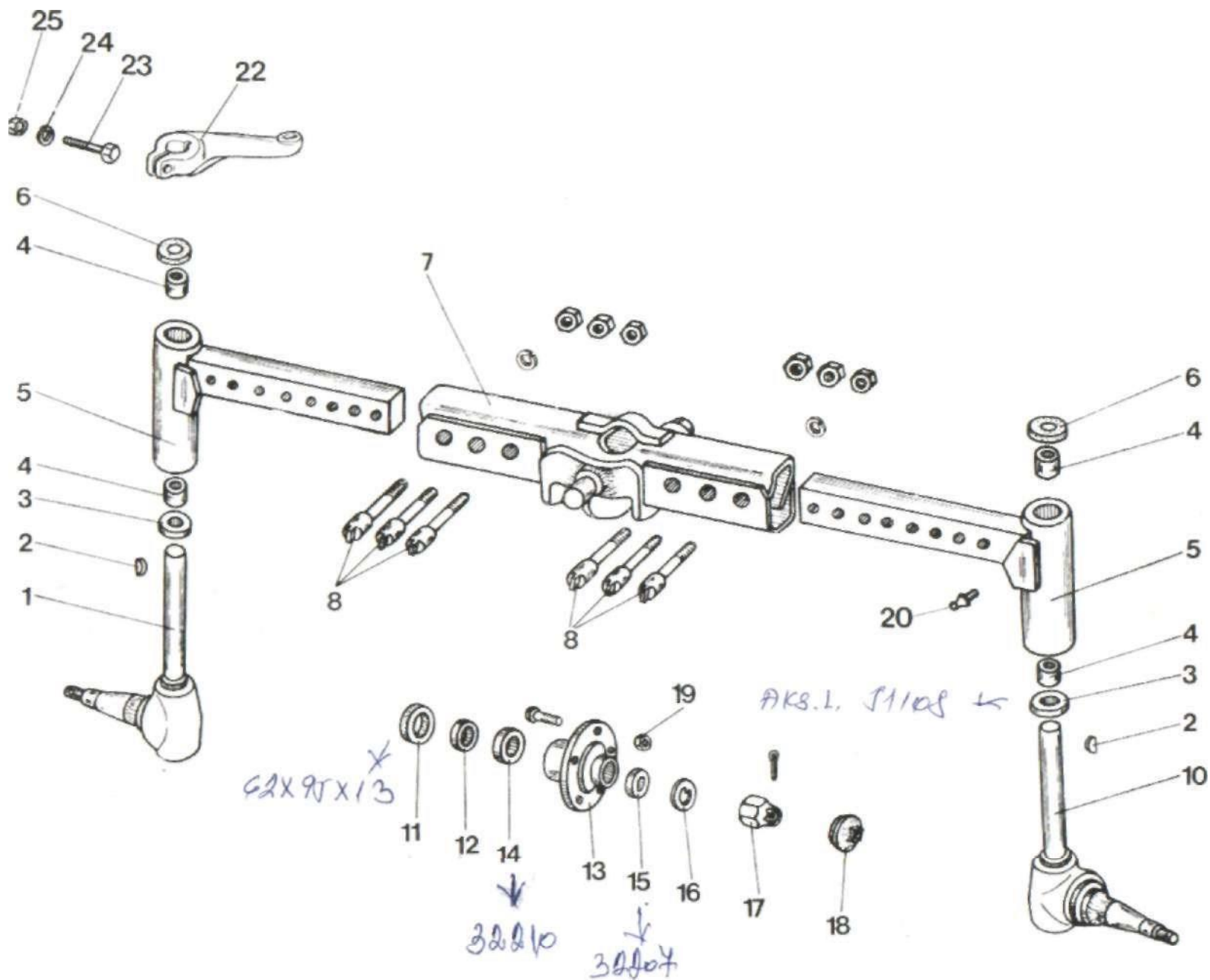
SLIKA 31 - KOMANDA PARKIRNE KOČNICE

FIGURE 31 - HANDBRAKE CONTROL

FIGURE 31 - COMMANDE DE FREIN A MAIN

FIGURA 31 - PALANCA DEL FRENO DE MANO

SLIKA 32 - PREDNJI MOST
FIGURE 32 - FRONT AXLE
FIGURE 32 - PONT AVANT
FIGURA 32 - SUSPENSION DELANTERA



SLIKA 32 - PREDNJI MOST
FIGURE 32 - FRONT AXLE
FIGURE 32 - PONT AVANT
FIGURA 32 - SUSPENSION DELANTERA

| Poz. | broj | Broj dola | Naziv | Description | Designation | Descripcion | Kom. |
|------|------|-----------|----------------------|-----------------------|-------------|-------------|------|
| 1 | | 57517190 | Rukavac desnog točka | Spindle Maneton (Dr.) | Mandril | | 1 |

| | | | | | | | |
|----------------|---------------------|-----------------------|---------------------|-------------------------------------|--------|-------------|---|
| 2 | 56007006 | Segmentni klin | Key | Calvette - segment | Ambros | 2 | |
| 3 | 51700026 | Aksijalni ležaj | Bearing | Coussinet - axial | 2 | | Cojinete axial 2 |
| 4 | 51700024 | Caura | Bush | Bague | Buje | 4 | |
| (A) | 57507250 | Bočni deo prednjeg | Part lateral de | mosta - sklop Arm - assy pont avant | Brazo | 2 | |
| 5 | 57507220 | Bočni deo prednjeg | Part lateral de | mosta | arm | 2 | pont avant |
| | | Brazo | 2 | | | | Sello de goma 2 |
| 6 | (B) 56007005 | Zaptivač gumeni | Seal | Joint en gomme | 2 | | Sello de goma 2 |
| (B) | 56007015 | Zaptivač gumeni | Seal | Joint en gomme | 2 | | Prate del medio de suspension delantera 1 |
| 7 | 57517010 | Srednji deo prednjeg | Front axle - middle | Part central de | mosta | 2 | Perno especial 6 |
| | | | part | pont avant | | | |
| 8 | 56007106 | Specijalni vijak | Bolt - special | Boulon-spec | 6 | | Arandela de resorte 6 |
| | IS21-72M20x1,5 | Navrtka | Nut | Ecrou | | | Mandrill 1 |
| | Tuerca | 6 | | | | | |
| | IS 2281-20 | Podloška opružna | Spring washer | Rondelle-ressort | 6 10 | 57517200 | Rukavac levog točka Spindle |
| | | | | | | | Espaciador 2 |
| | | | | | | | Cubo-ensemble 2 |
| Maneton (G.) 1 | | | | | | | |
| 11 | 56007190 | Simering | Seal | Bague | Sello | 2 | |
| 12 | 56007001 | Distantni prsten | Spacer | Entretoise | 2 | | |
| (C) | 56007170 | Glavčina prednjeg | Moyeu de roue | 2 točka - sklop Hub - assy AV - ens | | | |
| 13 | 56007171 | Glavčina prednjeg | Hub | Moyeu de roue AX | Cubo | 2 | Cojinete conico 2 |
| | 56001223 | Vijak | Bolt | Vis | | | Arandela 2 |
| | Perno | 10 | | | | | Chaveta 2 |
| 14 | 55501840 | Konusni ležaj | Bearing | Roulement - conique | 2 | | Capa protectora 2 |
| 15 | 55517240 | Konusni ležaj | Bearing | Roulement-conique | 22 | | Engrasador 2 |
| 16 | 56007002 | Podloška sa nosem | Washer | Rondelle a ner | Tuerca | 2 | |
| 17 | 56007009 | Navrtka | Nut | Ecrou | 2 | | |
| | IS 2291-4x40 | Rascepka | Cotter pin | Goupille | | | Arandela de resorte 2 |
| 18 | 56007004 | Zaštitna kapica | Protectin cap | Cape | 2 | 19 55512501 | Navrtka Nut Ecrou Tuerca 10 |
| 20 | JUSM.C4.613-AM8x1 | Tekalemit mazalica | Greaser | Graisseur - tec | | | |
| 22 | 57517003 | Poluga za zaokretanje | Rod | Bare | | | Barra 2 |
| | | točka | | | | | |
| 23 | JUS M.B1.050-M14x75 | Vijak | Bolt | Vis | Perno | 2 | |
| 24 | JUSM.B2.110-A14 | Podloška opružna | Spring washer | Rondelle ressort | 2 | | |
| 25 | JUSM.B1.601-M14 | Navrtka | Nut | Ecrou | Tuerca | 2 | |

NAPOMENE:

(A) Obuhvata pozicije 4 i 5

(B) Alternativno

(C) Obuhvata pozicije od 13 do 15

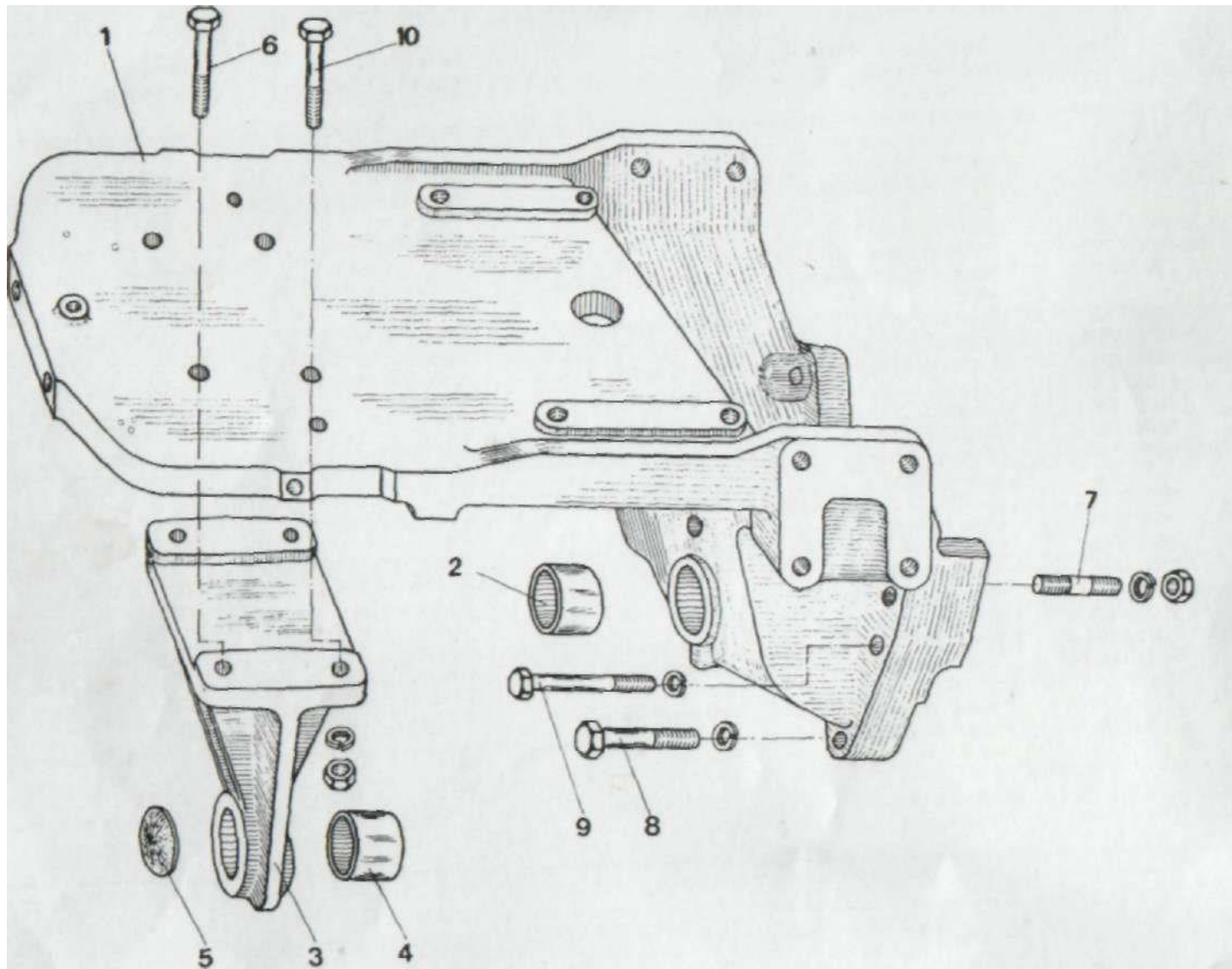
NOTES:
NOTES:
NOTAS:

Includes items 4 and 5
Comprend pos 4 et 5
Incluye las posiciones 4 a 5

Alternative
Alternatif
Alternativamente

Includes items from No 13 to 15
Comprend pos 13 a 15
Incluye los renglones 13-15

SLIKA 33 - KOLEVKA PREDJEG MOSTA
FIGURE 33 - FRONT AXLE SUPPORT
FIGURE 33 - SUPPORT DE PONT AVANT
FIGURA 33 - SOPORTE DEL EJE DELANTERO



SLIKA 33 - KOLEVKA PREDNJEG MOSTA
 FIGURE 33 - FRONT AXLE SUPPORT
 FIGURE 33 - SUPPORT DE PONT AVANT
 FIGURA 33 - SOPORTE DEL EJE DELANTERO

| Poz. | Broj dela | Naziv | Description | broj | | | |
|------|-----------|-------------------------------|----------------------------|----------------------------------|--|--------------------|------------------|
| (A) | 57507040 | Kolevka prednjeg sklop - assy | Front axle support mosta - | | | | Av. - ens |
| | | 1 | 57507041 | Kolevka prednjeg | | Front axle support | Support dep. av. |
| | | 2 | 56007032 | Čaura | | Bush | Bague |
| | | (B) | 56007040 | Prednji nosač-sklop | | Front support assy | Support-av.-ens |
| | | 3 | 56007041 | Prednji nosač | | Front support | Support AV |
| | | 4 | 56007042 | Čaura | | Bush | Bague |
| | | 5 | IS 2285-68 | Limeni čep | | Plug | Bouchon |
| | | 6 | IS2106-M16x1,5x85 | Vijak (prednji nosač za kolevku) | | Bolt | Boulon |
| | | | IS 2281-16 | Opružna podloška | | Spring washer | Rondelle ress |
| | | | IS2172-M16x1,5 | Navrtka | | Nut | Ecrou |
| | | 7 | 55516101 | Svorni vijak | | Stud | Goujon |
| | | | IS 2281-16 | Opružna podloška | | Spring washer | Rondelle ress |
| | | | USM.B1.601-M16 | Navrtka | | Nut | Ecrou |
| | | 8 | IS2102-M16x85 | Vijak | | Stud | Goujon |
| | | 9 | USM.B1.051-M16X115 | vijak | | Bolt | Boulon |
| | | | IS 2281-16 | Opružna podloška | | Spring washer | Rondelle ress |
| | | 10 | 57507035 | Vijak (prednji nosač za kolevku) | | Bolt | Boulon |

NAPOMENE: (A) Obuhvata poz 1, 2 i 7 (B) Obuhvata poz 3, 4 i 5
 NOTES: Includes items No. 1, 2 and 7 Includes items No 3, 4 and 5 NOTES: Comprend pos 1,2 et 7 Comprend pos. 3, 4 et 5
 NOTAS: Incluye los renglones nos 1.2 y 7 Incluye los renglones nos 3.4 y 5

Designation Description Kom.

| | |
|-----------------------------|---|
| Suporte del eje | |
| Delatero - ensamble | 1 |
| Soporte del eje | |
| delantero | 1 |
| Buje | 1 |
| Soporte delantero | |
| - ensamble | 1 |
| Soporte delantero | 1 |
| Buje | 1 |
| Tapon | 1 |

| | |
|-----------------------------|---|
| Perno | 2 |
| Arandela de soporte | 4 |
| Tuerca | 4 |
| Vastago | 2 |
| Arandela de resorte | 2 |
| Tuerca | 2 |
| Vastago | 2 |
| Perno | 2 |
| Arandela de resorte | 4 |

Support dep.

| | |
|-----------------|---|
| Perno | 2 |
|-----------------|---|

SLIKA 34 - ELEKTRO OPREMA

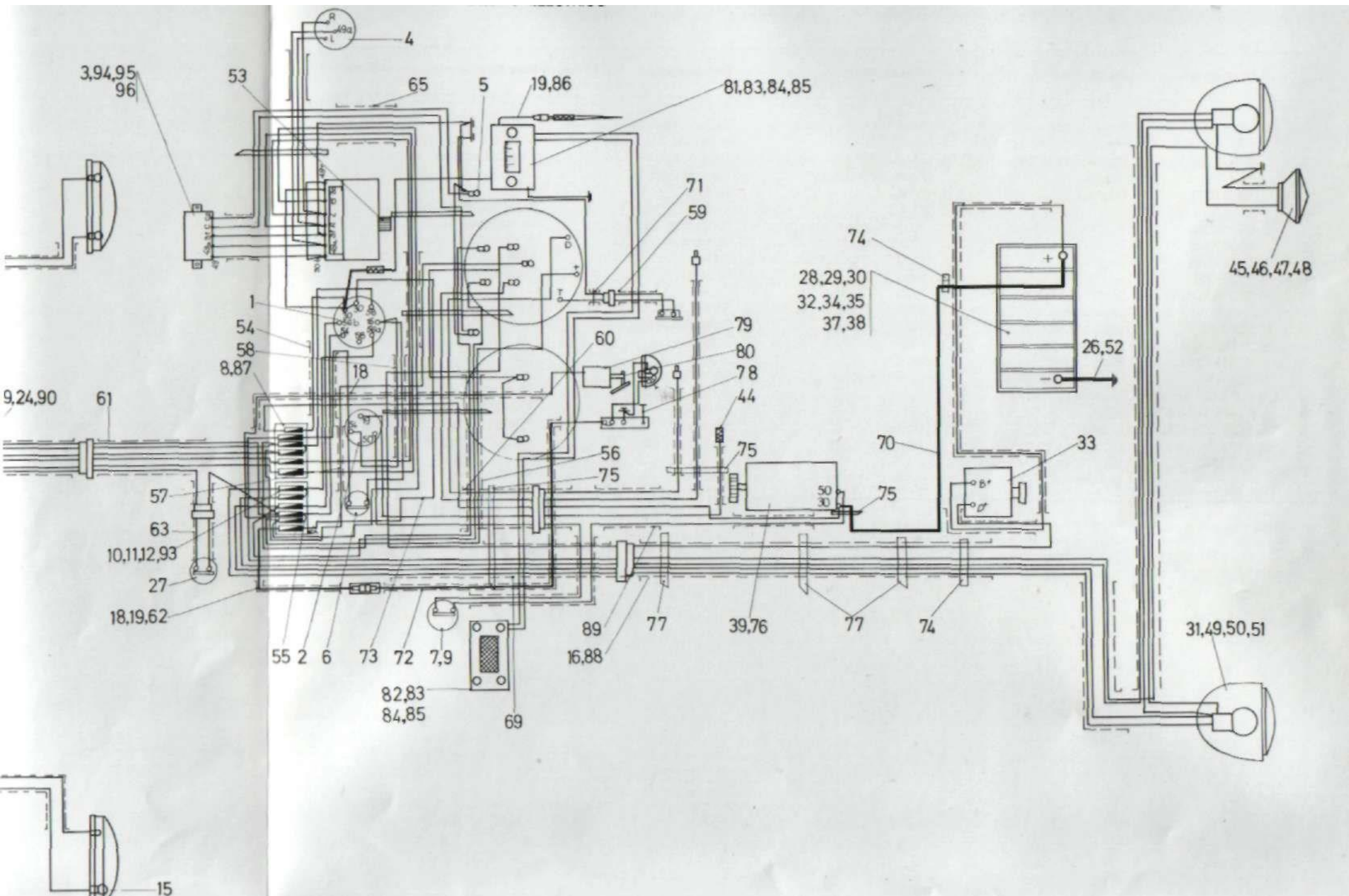
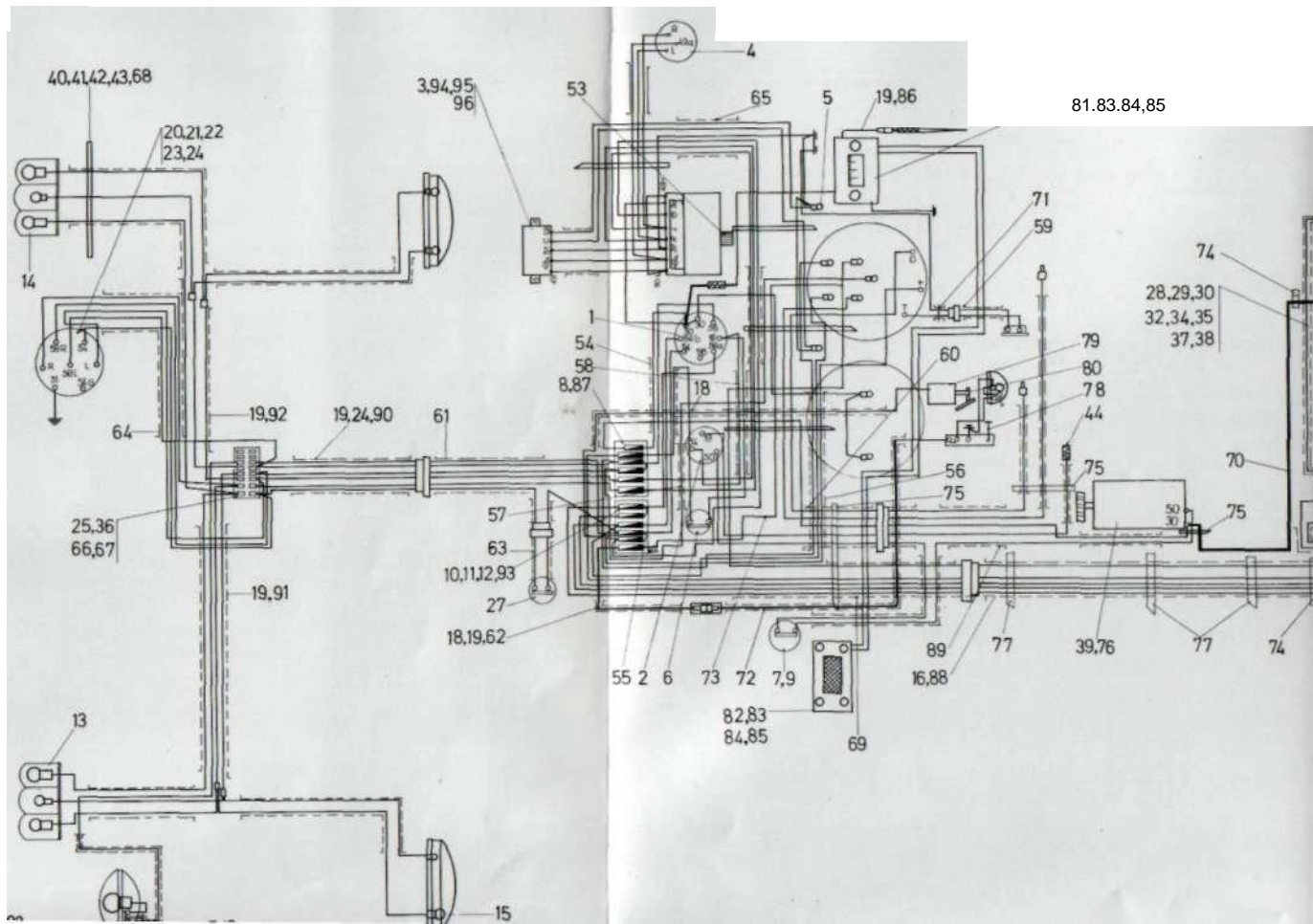


FIGURE 34 - EQUIPEMENT ELECTRIQUE
FIGURA 34 - EQUIPO ELECTRICO

SLIKA 34 - ELEKTRO OPREMA



40,41,42,43,68

20,21,22
23,24

3,9,4,95
96

81.83.84,85

14

53

65

5

19,86

74

28,29,30
32,34,35
37,38



64

19,92

19,24,90

61

1

54

58

8,87

18

71

59

60

79

80

78

44

25,36
66,67

19,91

57

63

10,11,12,93

27

18,19,62

55

2

6

73

72

7,9

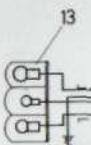
89

77

39,76

77

74



13

82,83
84,85

69



15

FIGURE 34 • EQUIPEMENT ELECTRIQUE
FIGURA 34 - EQUIPO ELECTRICO

Poz.

Kom.

broj

Broj dela

Naziv

Description

Designation

Descripcion

1 55508430 Kontakt prekidač trolni . . . 3-pole contact switch . . . Interrupteur de cont Llave de contacto 1

2

51801830

Prekidač zagrejača Interrupteur de

Llave de arranque

i startera Heater and starter switch .

demarreur

y calentamiento

1

3

51801370

.....
Rele bezbednosti Relay.Relais .

Rele 1

4 56008440 Prekidač pokaziv. pravca.... Direction indicator switch . Interrupteur des Llave de senalizador

56008450

Kontrolna lampa - sklop

Indicator lamp, -Assy

Temoin, ass

Indicador, conj

1

Obuhvata: Commprend:

Incluye:

56008460

Kontrolna lampa Temoin

Indicador

1

53308633

Sijalica Bulb

Lampe

Bombilla

1

6

53308440

.....
.....
Dugme sirene Avertisseur . . . Boton de bočina 1
.....

7

53208520

Davač kontakta Interrupteur de contact. . . Llave de contacto

1

8 53308420 Kutija osigurača - sklop Boite de fusible ass Caja de fusibles, - conj.... 1

Obuhvata: Commprend:

Incluye:

53308422

Osigurač 8A Fusible 8A

53308423

Osigurač 25A Fusible 25A

53308480

Kutija osigurača Botte de fusible

S 2281-4

Podložka el Rondelle

12

S2171-M4

Navrtka Nut

Ecrou

13

51801680

Svetiljka komb.

zadnja - sklop

Comb. Light, rear - Assy . . Feu arriere ass

| Obuhvata: | Includes: | Commprend: | Incluye: |
|------------------------|--------------------------|----------------------|-------------------------------|
| | | | |
| | Includes: | | |
| | Indicator lamp | | |
| | | | |
| | Button horn | | |
| | Contact switch | | |
| | Fuse box - Assy | | |
| | Includes: | | |
| | Fuse 8A | | Fusible 8A 5 |
| | Fuse 25A | | Fusible 25A 1 |
| | Fuse box | | Caja de fusibles 1 |
| | Protection cap | | Protector 1 |
| | | | Tornillo 4 |
| | Washer, flexible | | Arandela 4 |
| | | | Tuerca 4 |
| | | | Luz trasera, conj 1 |
| | | | Luz trasera 1 |
| | | | Bombilla 2 |
| | | | Bombilla 1 |
| | | | Luz trasera izquierda 1 |
| | | | Bombilla 2 |
| | | | Bombilla 1 |
| | | Feu avant, ass | Luz delantera, conj 1 |
| | | Commprend: | |
| | Comb, light, front | Feu avant | Luz delantera 1 |
| | | Lampe | Bombilla 1 |
| | | | Bombilla 1 |
| Sijalica | | | Goma 1 |
| Uvodnik gumeni | Grommet | | Faro trasero 1 |
| Zadnji gor-sklop | Plough lamp-Assy | Phare arriere | Faro trasero 1 |
| Obuhvata: | Includes: | Commprend: | |
| Zadnji far | Plough lamp | Phare arriere | Faro trasero 1 |
| Sijalica | Bulb | Lampe | Bombilla 1 |

51801690

Svetiljka komb. radnja

Comb, light, rear

Feu arriere

53308721

Sijalica

Bulb

Lampe

51800421

Sijalica

Bulb

Lampe

14

51801660

Svetiljka komb. zadnja Feu arriere

Comb, light, rear, L H.

.....
.....
.....
.....

leva - sklop - Assy gauche, ass Luz trasera, izquie.conj. ... 1 Obuhvata: Includes: Commprend: Incluye:

51801670

Svetiljka kombinov.

zadnja leva

Comb, light, rear, LH

Feu arriere gauche

53308721

.....
Sijalica, Bulb Lampe
.....
.....

51800421

Sijalica Bulb Lampe

15

51801700

Svetiljka kombinov.

prednja - sklop

Comb, light, front - Assy.. .

Obuhvata:

Includes: Incluye:

51801710

Svetiljka kombinov. prednja . .

53308721

Sijalica

Bulb

53308662 Bulb

Lampe

Incluye:

51803230 56008391

SLIKA 34 - ELEKTRO OPREMA FIGURE 34 -

ELECTRICAL EQUIPMENT

FIGURE 34 - EQUIPEMENT ELECTRIQUE

FIGURA 34 - EQUIPO ELECTRICO

SLIKA 34 - ELEKTRO OPREMA

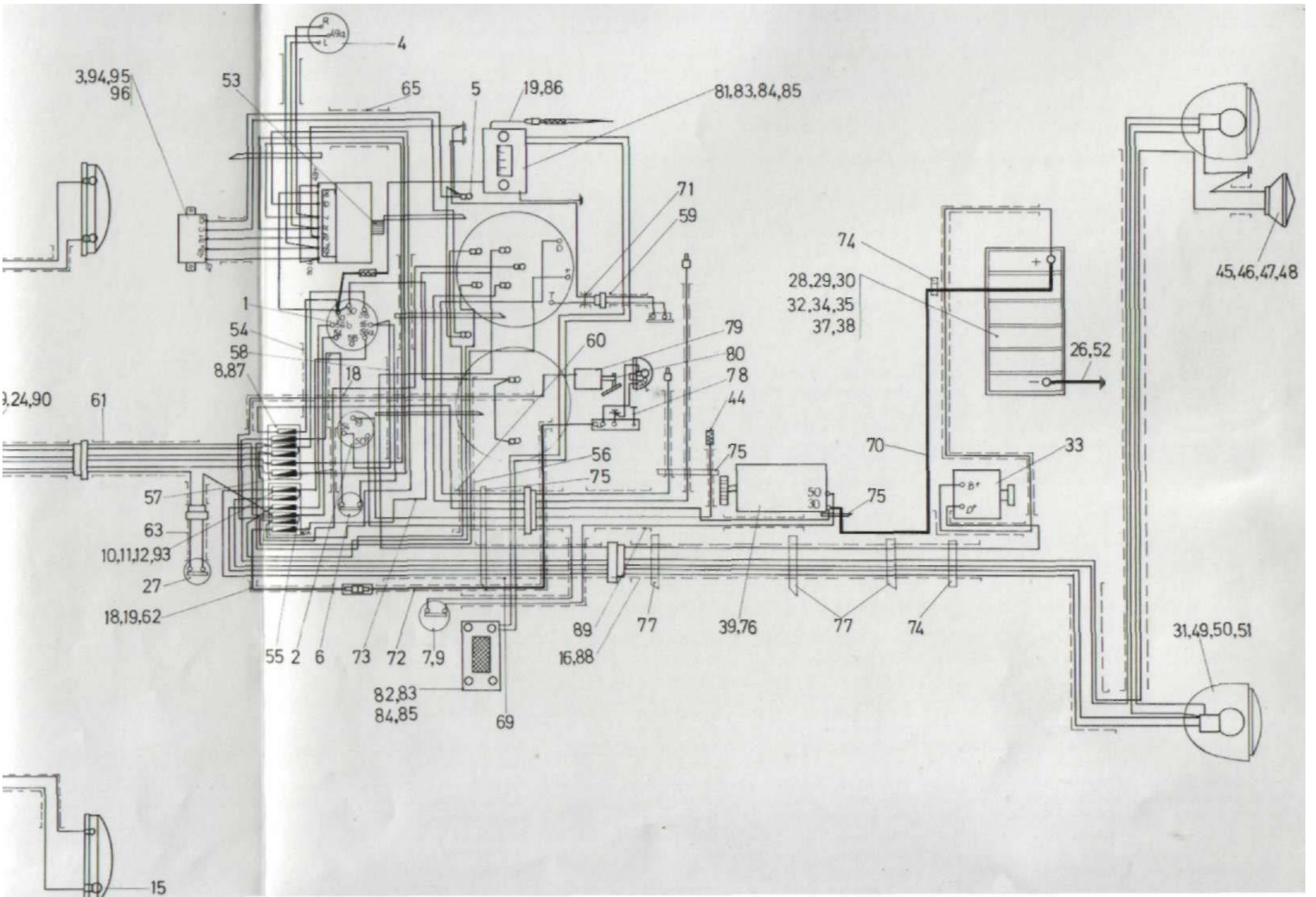


FIGURE 34 - EQUIPEMENT ELECTRIQUE
FIGURA 34 - EQUIPO ELECTRICO

SLIKA 34 - ELEKTRO OPREMA

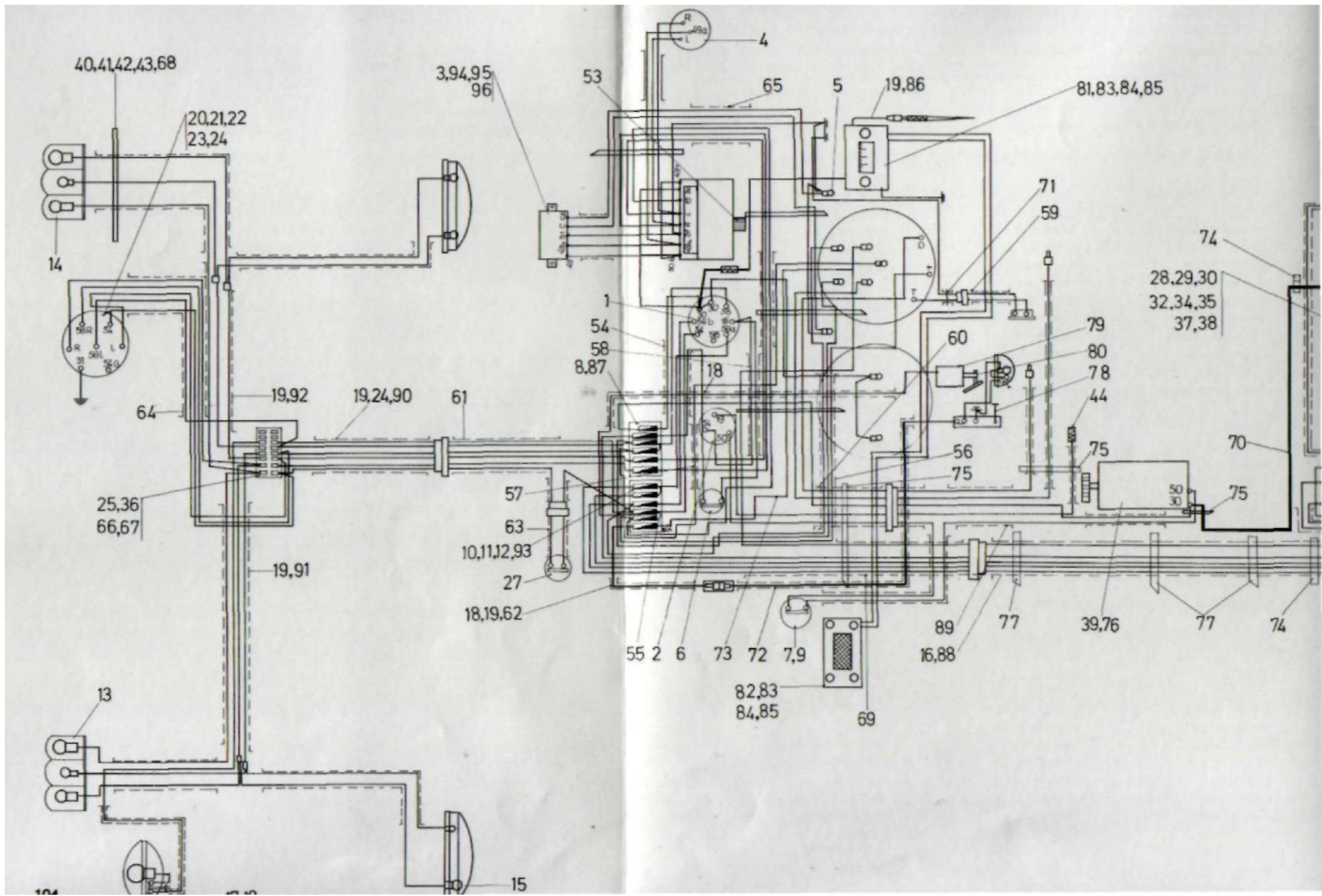


FIGURE 34 - EQUIPEMENT ELECTRIQUE
FIGURA 34 - EQUIPO ELECTRICO

| Poz. broj | Broj dela | Naziv | Description | Designation | Descripcion | Kom. |
|-----------|-----------|-------|-------------|-------------|-------------|------|
|-----------|-----------|-------|-------------|-------------|-------------|------|

18

56008028

Gumeni uvodnik

Grommet

Gomme

19

51800024

Gumeni uvodnik

Grommet

Gomme

20

53328460

Utikačka kutija 7-polna

7-pole

25

51800810

Priključnica 8-polna

27

51804630

Prekidač stop

svetla

28

51802810

Pritezač akumulтора

31 IS2135-M5x20 Zavrtanj Bolt

33

51605350

Alternator

34

57808540

Nosač akumulatora donji"

35

56008100

Akumulator

| | | | |
|----------------------------|------------------------------------|-------------------------------|---|
| | | Goma | 3 |
| | | Goma | 7 |
| | Prise | Enchufe | 1 |
| | Vis. | Tornillo | 3 |
| Spring washer | Rondelle | Arandela | 3 |
| | Ecrou | Tuerca | 3 |
| Grommet | Gomme | Goma | 5 |
| 8-pole connector | Raccord | Conexion | 1 |
| | Vis | Tornillo | 1 |
| Stop light switch | Interrupteur de feu de position | Llave de luces de posicion | 1 |
| Battery bracket | Fixateur de batterie | Fijador de bateria | 1 |
| Spring washer | Rondelle | Arandela | 2 |
| | Ecrou | Tuerca | 2 |
| | Vis. | Tornillo | 6 |
| Hooked bolt | Boulon | Tornillo | 2 |
| Alternator | Alternateur | Alternador | 1 |
| Battery support bottom | Support de batterie | Soporte de bateria | 1 |
| Battery | Batterie | Bateria | 1 |
| Screw | Vis. | Tornillo | 2 |
| Spring washer | Rondelle | Arandela | 2 |
| Thumb nut | Ecrou | Tuerca | 2 |
| Electro starter | Demarreur electrique | Arranque electrico | 1 |
| Registration plate bracket | Support | Soporte | 1 |
| | Vis. | Tornillo | 2 |
| Spring washer | Rondelle | Arandela | 2 |
| | Ecrou | Tuerca | 2 |
| Fuel heater | Rechauffeur de car | combustible | 1 |
| | Avertisseur | Bočina | 1 |
| | Vis. | Tornillo | 1 |
| Spring washer | Rondelle | Arandela | 1 |
| | Ecrou | Tuerca | 1 |
| Head lamp, assy. | Phare avant, ass. | Faro delantero | |
| Includes: | comprend: | conj. i incluye: | 2 |
| Headlamp | Phare avant | Faro delantero | 1 |
| Bulb | Lampe | Bombilla | 1 |
| Spring | Ressort | Resorte | 6 |
| Connector | Connecteur | Conectador | 2 |
| Battery cable | Cable de batterie, | Cable de bateria | |
| - compl | complet | completo | 1 |
| Hazard switch | Interrupteur de relais | Llave de rele | 1 |
| Harness | Faisceau | Conjunto de cables | 1 |
| | Cable | Cable | 3 |
| | Faisceau | Conjunto de cables | 1 |

41 IS2135-M6x15 Zavrtanj Bolt

44

51605340

Zagrejač goriva .Calentador.de

45

53308640

Sirena Horn

46 IS2103-M8X18 Zavrtanj Bolt

49

51801170

Prednji far, sklop

obuhvata:

51800680

Prednji far

51800356

Sijalica

50

51801659

Opruga

51

51800184

Konektor

52

51803870

Akumulatorski kabl

- komplet

54

51801534

Snop kablova

55

56008006

Kabl Cable

56

51801449

Shop kablova

Harness

SLIKA 34 - ELEKTRO OPREMA FIGURE 34 -

ELECTRICAL EQUIPMENT

FIGURE 34 - EQUIPEMENT ELECTRIQUE

FIGURA 34 - EQUIPO ELECTRICO

SLIKA 34 - ELEKTRO OPREMA

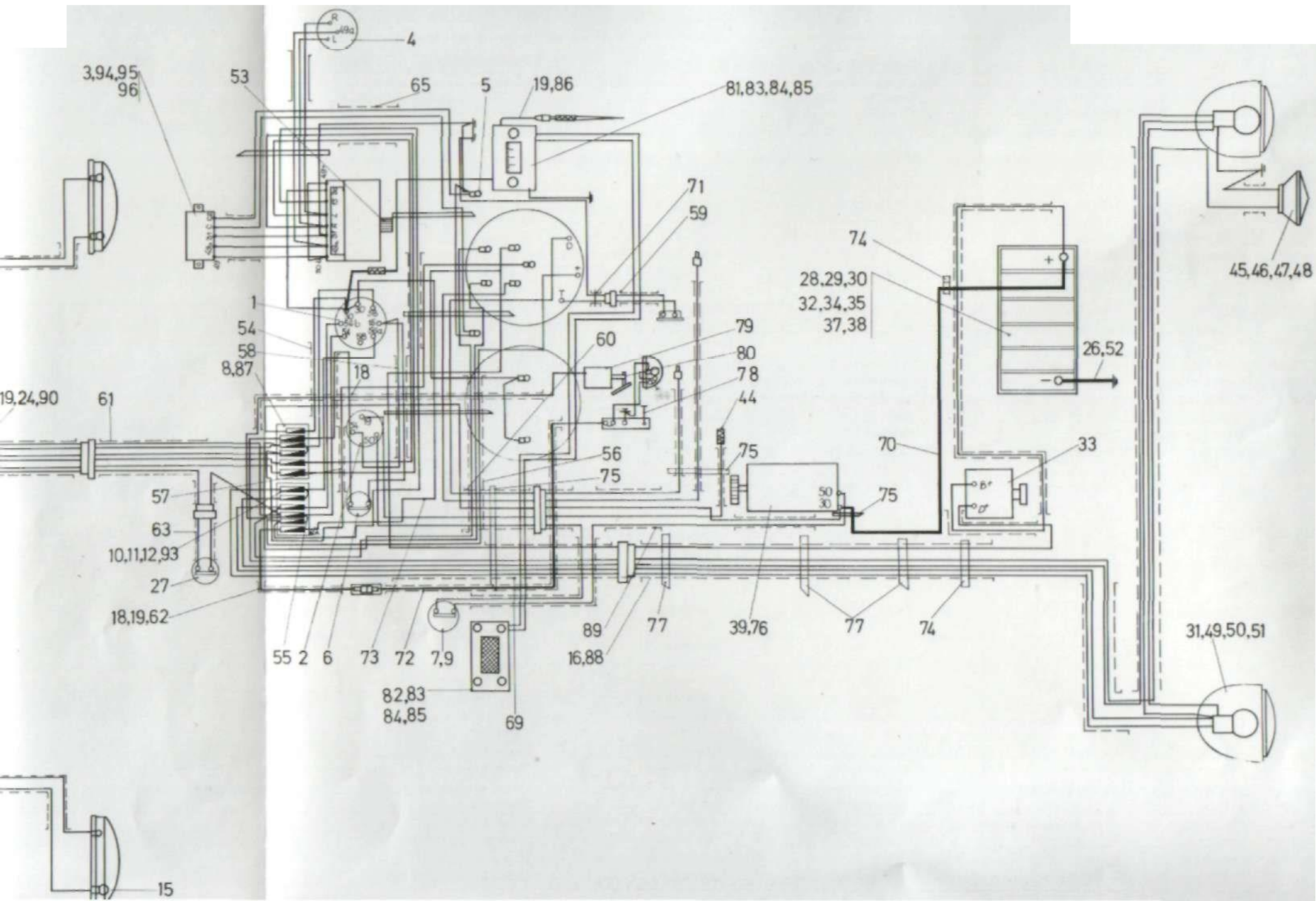


FIGURE 34 - EQUIPEMENT ELECTRIQUE
FIGURA 34 - EQUIPO ELECTRICO

SLIKA 34 - ELEKTRO OPREMA

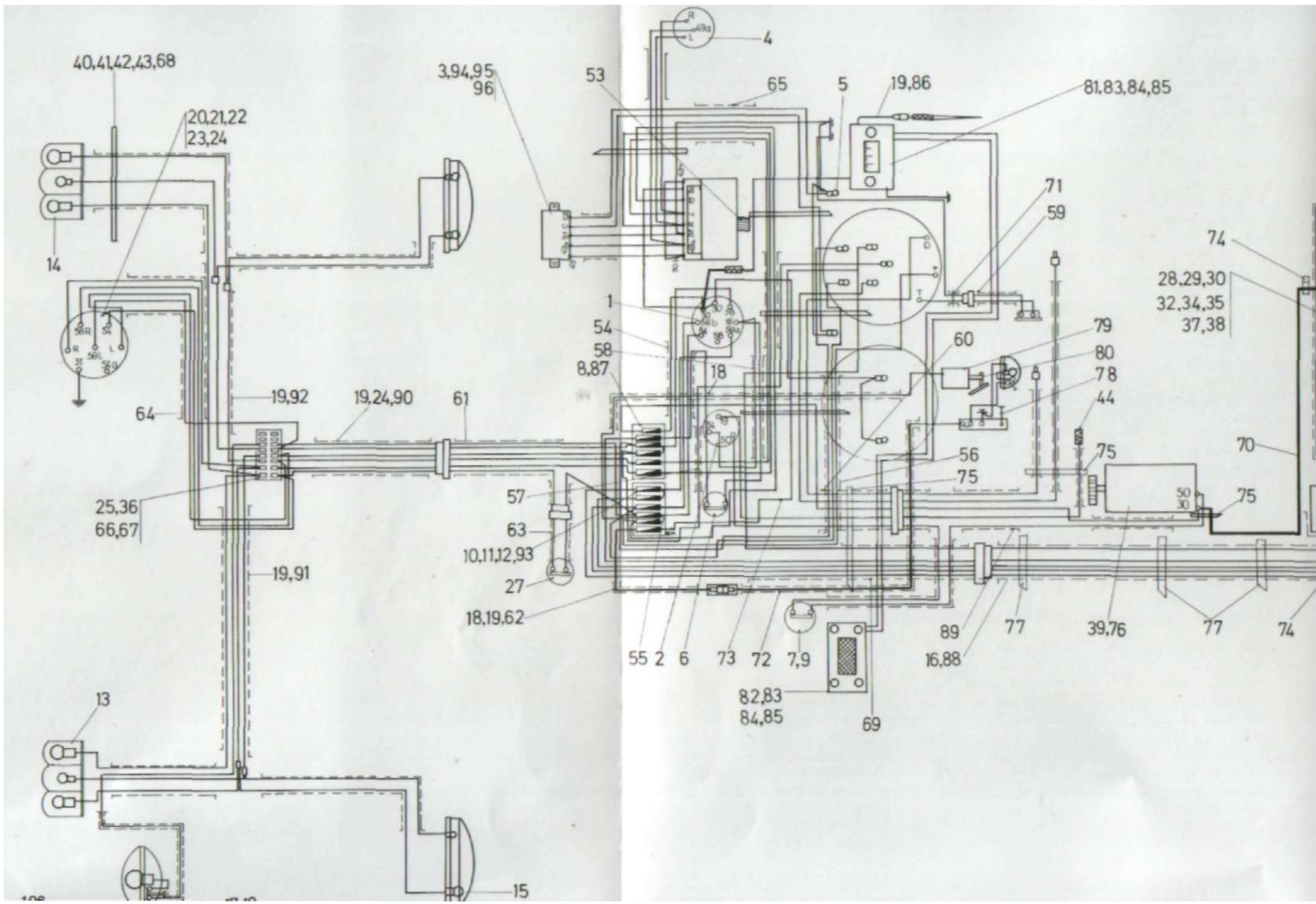


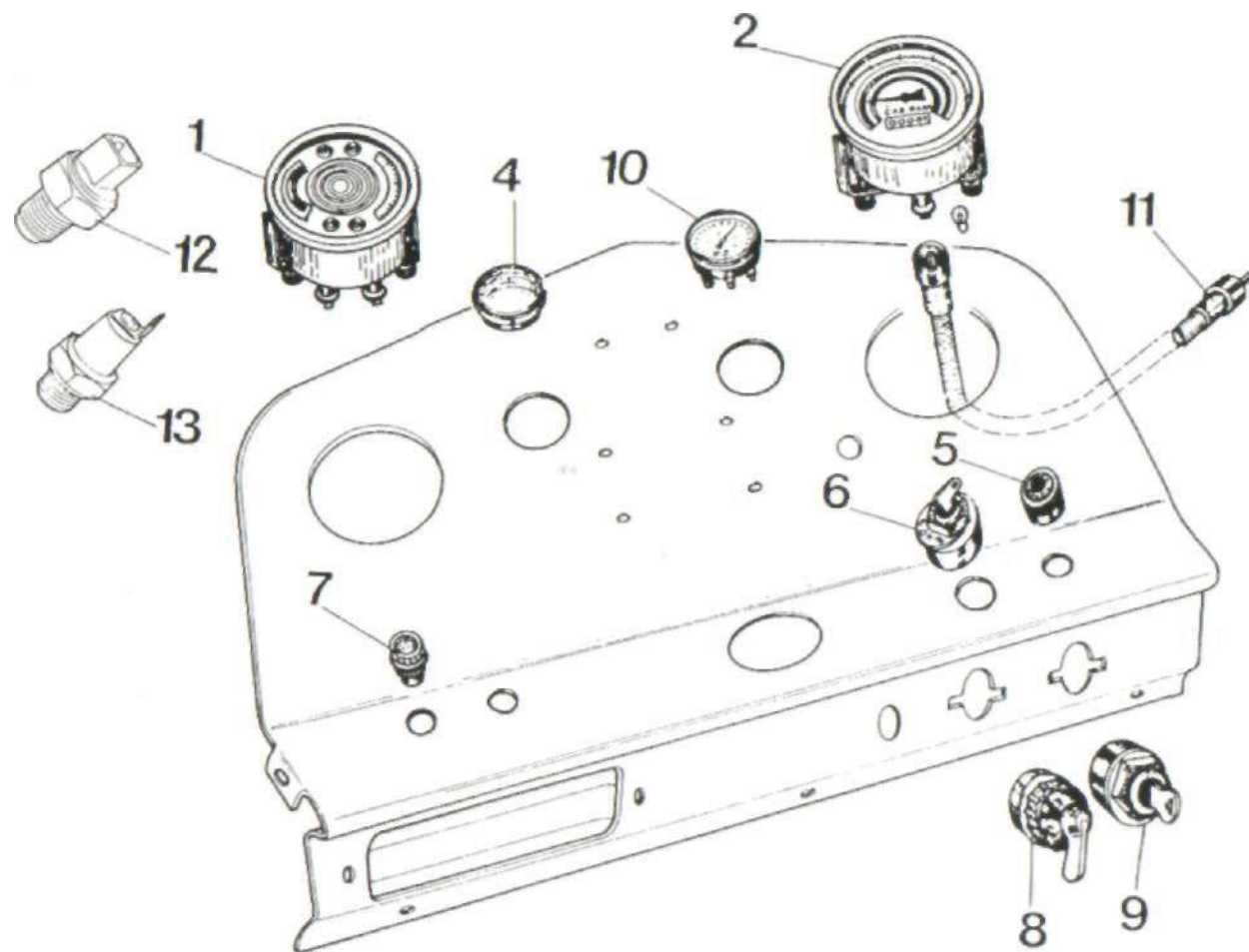
FIGURE 34 - EQUIPEMENT ELECTRIQUE
FIGURA 34 - EQUIPO ELECTRICO

SLIKA 34 - ELEKTRO OPREMA FIGURE 34
- ELECTRICAL EQUIPMENT
FIGURE 34 - EQUIPEMENT ELECTRIQUE FIGURA
34 - EQUIPO ELECTRICO

| Poz. broj | Broj dela | Naziv | Description | Designation | Descripcion | Kom. |
|----------------------|------------------|--------------|--------------------|--------------------|--------------------|-------------|
|----------------------|------------------|--------------|--------------------|--------------------|--------------------|-------------|

| | | | | | | | |
|----|---------------|-----------------------------------|----|-----------------------------|------------------------|-------------------|--------------------------------|
| 57 | 51801516 | Snop kablova Conjunto de cables 1 | 58 | Harness | Faisceau | 51804230 | Snop kablova |
| | | Conjunto de cables 1 | 59 | Harness | Faisceau | | cables 1 |
| 60 | 51805530 | Snop kablova Conjunto de cables | | Harness | Faisceau | 1 | |
| 61 | 51805540 | Snop kablova Conjunto de cables 1 | 62 | Harness | Faisceau | 51805550 | Snop kablova |
| | | Conjunto de cables 1 | 63 | Harness | Faisceau | | Conjunto de cables 1 |
| 64 | 51805570 | Snop kablova Conjunto de cables | | Harness | Faisceau | 1 | |
| 65 | 51805580 | Snop kablova Conjunto de cables | | Harness | Faisceau | 1 | |
| 66 | 51801444 | Poklopac razvod, kleme.....Tapa 1 | 67 | Harness | Faisceau | IS 2167-3, 9x9, 5 | Zavrtnanj za |
| | | lim Tornillo 2 | | Connector cover | Couvercle | | |
| 68 | 51801774 | Odstojnik Espaciador | 2 | Screw | Vis | | |
| 69 | 51805520 | Snop kablova Conjunto de cables | | Spacer | Entretoise | 1 | |
| 70 | 57508050 | Akumulatorski kabl komplet Cable | | Harness | Faisceau | | de baterija conj 1 |
| 71 | 51804550 | Kabl - sklop Cable, conj. ... 1 | 72 | Battery cable, - compl. ... | Cable de batterie, ass | 51804560 | Kabl - sklop Cable, |
| | | conj;_1 | 73 | Cable - Assy | Cable, ass | 53308322 | Obujmica |
| | | Abrazadera 2 | 75 | Cable - Assy | Cable, ass | 57508003 | Zaštitna lula |
| | | Stega Abrazadera 6 | 76 | Cable - Assy | Cable, ass | 3 78 | 51803410 Kabl - sklop |
| | | Protector 1 | 77 | Clip | Collier | | |
| | | Stega Clamp Abrazadera | | Clamp | Collier | | |
| | | Cable, conj_1 | | Protection cap | Protecteur | | |
| 79 | 51803600 | Elektromotor Motor electrico de | | | Collier | | brisača stakla limpiaparabri 1 |
| 80 | 53328020 | Ručica sa brisačem | | Cable - Assy | Cable, ass | | Limpiaparabrisas 1 |
| 81 | 51800600 | Radioaparar Radio 1 | 82 | Wiper starter motor | Moteur electrique de | | Zvučnik Altavoz 1 |
| | | M4x20 Zavrtnanj Tornillo 5 | | Arm and blade set | essuie - glace | IS 2135- | |
| 84 | IS 2281-4 | Podloška Arandela 5 | | Wireless | Essuie - glace | | |
| 85 | IS2171-M4 | Navrtka Nut | 5 | Loudspeaket | Radio | | |
| 86 | 51800640 | Radio antena Antena | 1 | Bolt | Haut - parleur | | |
| 87 | 51804580 | Snop kablova 1 | | Washer | Vis | | |
| 88 | 51804750 | Snop kablova 1 | 89 | Antenna | Rondelle | | |
| | 51805190 | Snop kablova 1 | | Harness | Ecrou | | |
| 90 | 51804770 | Snop kablova 1 | | Harness | Antenne | | |
| 91 | 51804780 | Snop kablova 1 | 92 | Harness | Faisceau | | Conjunto de cables 1 |
| | | kablova 1 | | Harness | Faisceau | | Conjunto de cables 1 |
| 93 | 51801973 | Kutija osigurača | | Harness | Faisceau | | Conjunto de cables 1 |
| | | sklop - obuhvata: 1 | | Harness | Faisceau | | Conjunto de cables 1 |
| | 53308530 | Kutija osigurača 1 | | Harness | Faisceau | | Conjunto de cables 1 |
| 93 | 51801974 | Osigurač 16A 1 | | Fuse box. Assy. | Bolte de fusible, | | Caja de fusibles, |
| | 53308422 | Osigurač 8A 5 | | - Includes: | ass. comprend: | | conj. incluye: 1 |
| 94 | IS 2103-M5x20 | Zavrtnanj 2 | 95 | Fuse box : | Boite de fusible | | Caja de fusibles 1 |
| | | opružna 2 | | Fuse 16A | Fusible 16A | | Fusible 16A 1 |
| | | | | Fuse 8A | Fusible 8A | | Fusible 8A 5 |
| 96 | IS2171-M5 | Navrtka | | Bolt | Vis | | Tornillo 2 |
| | | | | Spring washer | Rondelle | | Arandela 2 |
| | | | | | Ecrou | | Tuerca 2 |

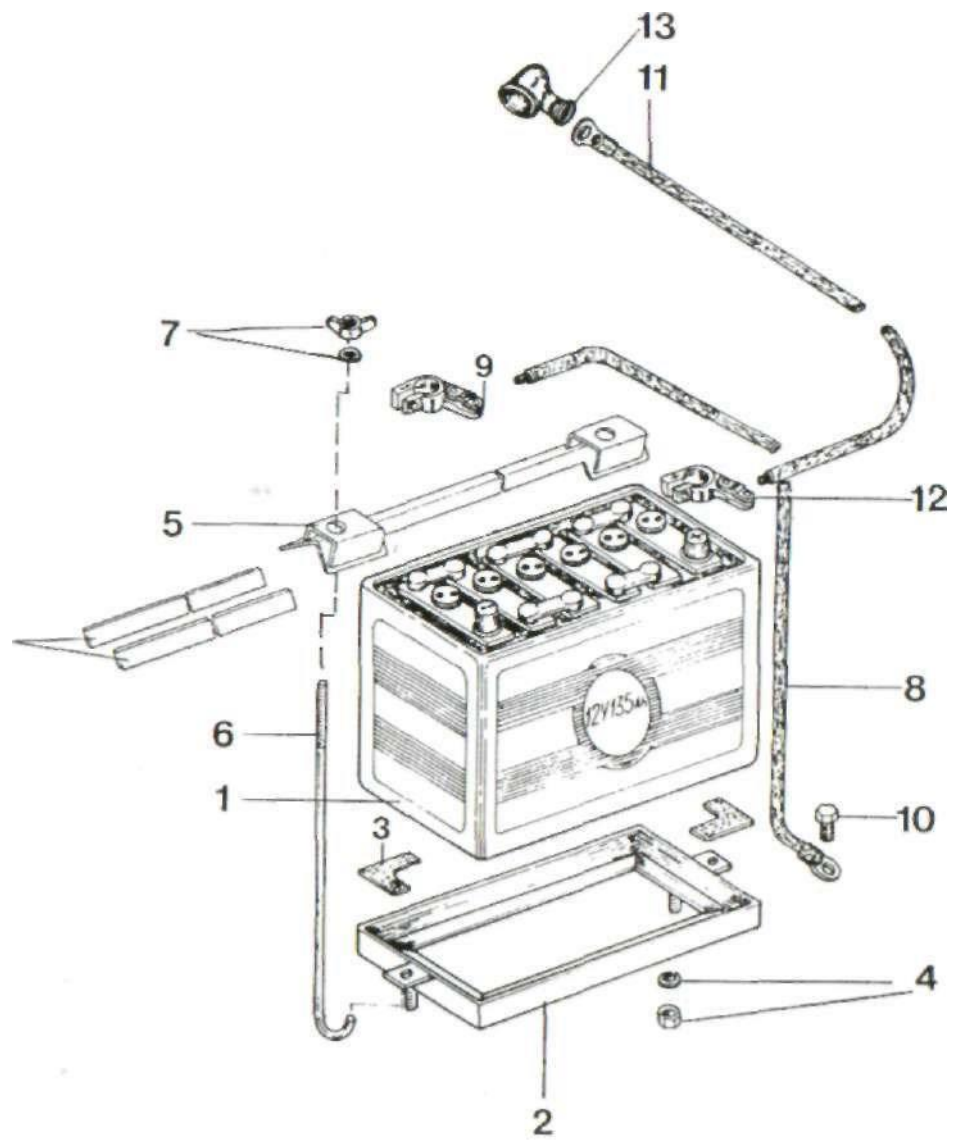
SLIKA 35 - INSTRUMENTI
FIGURE 35 - INSTRUMENTS
FIGURE 35 - INSTRUMENTS
FIGURA 35 - INSTRUMENTOS



SLIKA 35 - INSTRUMENTI
 FIGURE 35 - INSTRUMENTS FIGURE
 35 - INSTRUMENTS
 FIGURA 35 - INSTRUMENTOS

| Poz. broj | Broj dela | Naziv | Description | Designation | Descripcion | Kom. |
|-----------|----------------------------------|---|------------------------------|------------------------------|-----------------------------|------|
| 1 | 56009120 | Kombinovani instrument . . . | Combined instrument | Instrument combine | Instrumento combo | 1 |
| 2 | 57709220 | Traktometar. | Tractometer. | Compteur. | Tractometro M.P.M | 1 |
| 3 | 53308633 | Sijalica 12V, | Bulb 12V, 2W. | Ampoule 12V, 2W | Bombilla 12V. 2W | 1 |
| 2W | | | Door. | Chapeau | Tapa | 1 |
| | | | Button - Horn | Boutor. | Perilla | 1 |
| | | | Switch-starter | Contacteur. | Interruptor | 1 |
| | | Kontrolna lampica - obuhvata: | Lamp - includes: | Phare - comprend: | Faro - incluye: | 2 |
| | | | Lamp | Phare | Faro | 2 |
| | | | Bulb 12V, 2W. | Auipoule 12v, 2W | Bombilla 12V, 2W | 2 |
| | | Prekidač pokazivača pravca. Kontakt prekidač | Switch | Contacteur. | Interruptor | 1 |
| | | Manometar za vazduh | Switch | Contacteur. | Interruptor | 1 |
| | | Gipko vratilo | Air pressure gange | Manometre | Manometro | 1 |
| | | Davač el. term, za vodu | Drive | Flexible | Mando | 1 |
| | | Davač prit. ulja | Transducer-water | Temoin | Indicador | 1 |
| | | podnožje BA 9S | Transducer-oil | Temoin | Indicador | 1 |
| 4 | 56010502 | Poklopac | | | | |
| 5 | 53308440 | Dugme sirene | | | | |
| 6 | 53208490 | Prekidač startera i zagrejača | | | | |
| 7 | 56008450 | | | | | |
| | 56008460 | Kontrolna lampica | | | | |
| | 53308633 | Sijalica 12V, 2W podnožje BA 9S | | | | |
| 8 | 56008440 | | | | | |
| 9 | 55508430 10 56097970 11 51900580 | | | | | |
| 12 | 56009130 | | | | | |
| 13 | 56009140 | | | | | |

SLIKA 36 - AKUMULATOR SA DRŽAČIMA
FIGURE 36 - BATTERY WITH BRACKETS
FIGURE 36 - BATTERIE AVEC LES SUPPORTS
FIGURA 36 - BATERIA CON SOPORTES



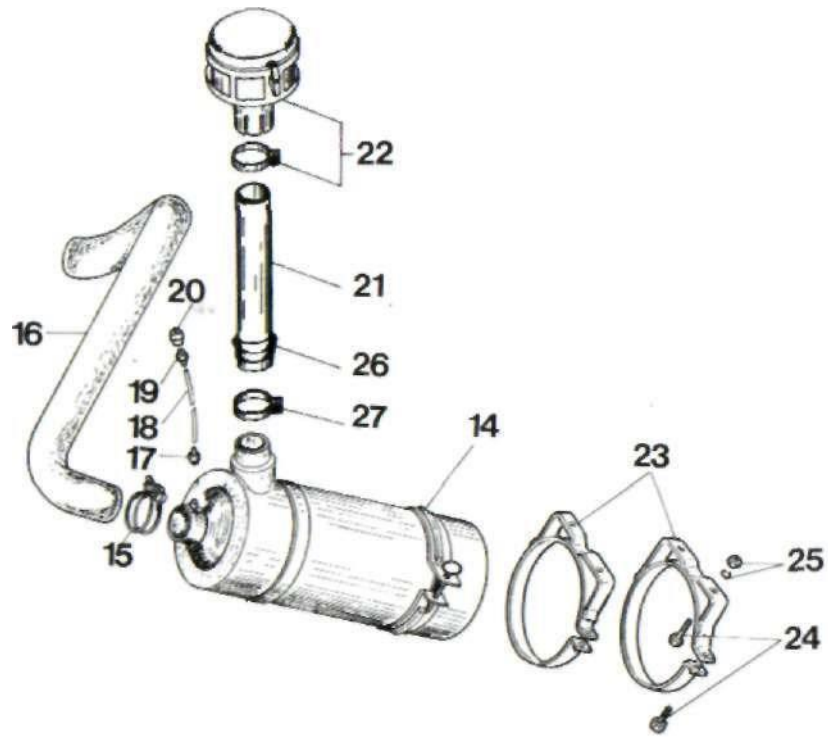
SLIKA 36 - AKUMULATOR SA DRŽAČIMA
 FIGURE 36 - BATTERY WITH BRACKETS
 FIGURE 36 - BATTERIE AVEC LES SUPPORTS FIGURA 36
 - BATERIA CON SOPORTES

| | Naziv | Description | Designation | Descripcion | Kom. | |
|----|--------------------|---|--------------------------------------|----------------------------------|---|---|
| 1 | 56008100 | Akumulator 12V, 135 Ah . . | Battery 12V, 135 Ah | Batterie 12V, 135 Ah | Bateria 12 V, 135 Ah | 1 |
| 2 | 56008540 | Držač akumulatora, donji . . | Battery bracket, bottom . . . | Support bas | Soporte, inferior . . . | 1 |
| 3 | 56008511 | Gumeni podmetač | Pad Gomme soumise | Base de goma | ? | |
| 4 | IS 2281-10 | Opružna podloška | Spring washer | Rondelle ressort | Arandela de resorte | 2 |
| | IS2171-M10 Navrtka | Nut Ecrou Tuerca 2 5 51802800 | Držač akumulatora, gornji . . | Battery bracket, top | Support haut | Soporte, superior 1 |
| 6 | 51801956 | Kukasti vijak | Bolt | Vis-au croc | Perno 2 | |
| 7 | IS 2281-8 | Podloška Washer | Rondelle | Arandela 2 | | |
| | IS 2194-M8 | Kristalna navrtka | Wing nut | Ecrou aux ailes | Tuerca de ala | 2 |
| 8 | (A) 56008040 | Akumulatorski kabl, Cable de batterie - | Cable de bateria, | | | |
| | | komplet | Battery cable - compl | complet | completo | 1 |
| | 56008041 | Zaštitno crevo | Protection hose | Tuyau a protection | Manguera de protection | 1 |
| | | | | | Cable (for connection Cable (para coneccion | |
| | 56008042 | Kabl (za vezu sa masom) | with mass) | Cable (a masse) | con masa) | 1 |
| | 56008044 | Kablovska papučica | Cable shoe Zapata de cable | | | |
| 9 | 56008043 | Akumulatorska klema za | Battery terminal for | Sabot de cable | Borne del acumulador | |
| | | | | | ..- pol para el polo "-" | 1 |
| 10 | IS2103-M10> | Vijak („ - " pol kabla | Collier a "- " pole | | | |
| | | za kolevku) | | Bolt G "- " pole | Perno "- " pole | 1 |
| 11 | (B) 56008050 | Akumulatorski kabl, Vis "- " pole | Cable de pateria bateria - | | | |
| | | komplet | Battery cable - compl | Cable de batterie | completo | 1 |
| | 56008051 | Zaštitno crevo | Protection hose - complet | Manguera de proteccion | | 1 |
| | | | | | 56008052 Akumulatorski kabl Battery cable (battery - Tuyau a protection | |
| | | (Akumulator - starter).... | starter) Cable (Batterie - | | (bateria-atranque) | 1 |
| | 56008044 | Kablovska papučica | Cable shoe | demarreur) | Zapata de cable | 1 |
| 12 | 56008053 | Akumulatorska klema | Battery terminal | Sabot de cable | Borne de acumulador za „ + " pol | Collier a " + " pole para el polo " + " 1 |
| | 56008055 | Gumeni podmetač (ispod | for" + " pole | Gomme soumise (sous | Base de goma (debajo | |
| | | „ - " kleme) | | " + " collier) | del borne " + " | 1 |
| 13 | 57508003 | Zaštitna lula (na | Pad (below " + " terminal) | Pipa de proteccion | | |
| | | elektropokretaču) | | Pipe a protection | (en el arranque elecatico | 1 |
| 14 | 51800616 | Gumeni podmetač | End cap Gomme | Goma 2 | | |
| | | | Pad | | | |

NAPOMENE: (A) Obuhvata delove 56008041, 56008042, 56008044, 56008043 Includes
Darts No. 56008041. 56008042, 56008044 and 56008043
NOTES: Comprend les parts 56008041, 56008042, 56008044,
56008043
NOTAS: Incluye las piezas 56008041. 56008012, 56008044, 56008043

(B) Obuhvata delove 56008051, 56008052, 56008044, 56008053 Includes
parts 56008051, 56008052, 56008044. 56008053.
Comprend les parts 56008051, 56008052. 56008044,
56008053
Incluye las piezas 56008051, 56008052, 56008044. 56008053.

SLIKA 37 - PREČISTAC VAZDUHA
FIGURE 37 - AIR CLEANER
FIGURE 37 - FILTRE A AIR
FIGURA 37 - FILTRO DE AIRE



Poz. Broj dela Naziv Description Designation Descripcion Kom. broj

obuhvata:

Air Cleaner

Filtre a air

Foltro de aire

1 811138

Uložak

prečistača

Element

Element

Elemento

1

716785

Zaptivka

Seal

Joint

Junta

1

15

51600426

Obujmica žičana Clip

Collier Abrazdera

2

16

58506520 Usisno gumeno crevo Hose Assy Durite Manguera de goma 1.17 58506001. Priključak Connector Connecteur Conector 1

| | | | | | | |
|----|----------|---------------|------|------|------|---|
| 18 | 58506003 | Plastična cev | Pipe | tube | Tube | 1 |
|----|----------|---------------|------|------|------|---|

19

58506002

Priključak

Connector

Connecteur

Conector

1

20

51600436

Indikator

Indicator

Indicateur

Indicador

.. . 1

JUSMB2.011-10.5

Podložka

Washer

Rondelle

Arandela

1

21

57806161

Cev predprečistača

Precleaner pipe Tube Tubo de prefiltro 1

vazduha

Air cleaner

Devant filtre a air

Filtro de aire

1

25

IS 2281-10

Opružna podloška

Washer Rondelle

Arandela

4

IS2171-M10

Navrtka

Nut

Ecrou

Tuerca

4

26

51600213

Guma zaštitna

Pad

Tampon

Tapon 1

| | | | | | |
|----|----------|-----------------------|---------|-----------|---|
| 27 | 57506150 | Obujmica - sklop Clip | Collier | Abrazdera | 1 |
|----|----------|-----------------------|---------|-----------|---|

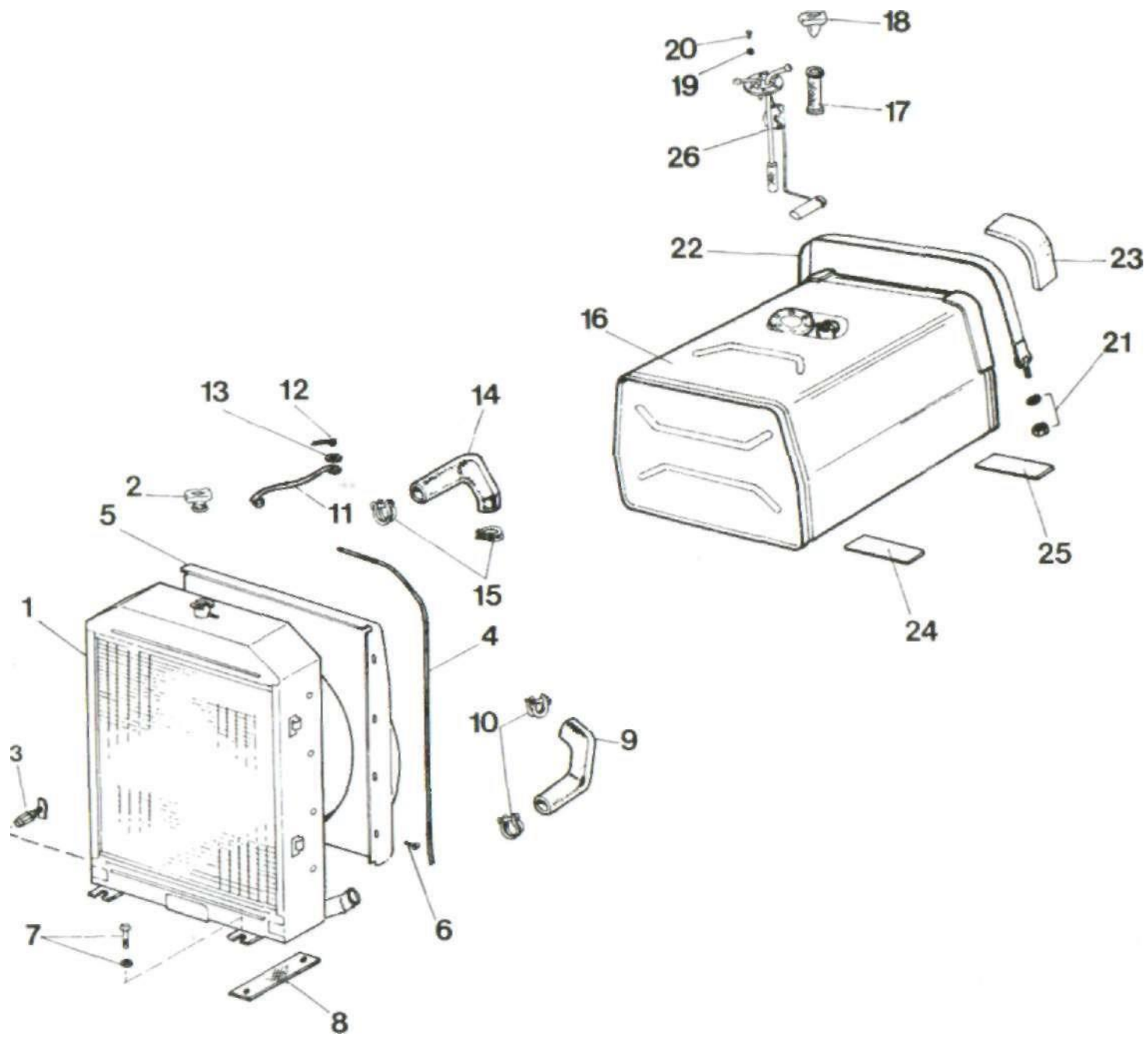
SLIKA 37 - PEČISTAC VAZDUHA

FIGURE 37 - AIR CLEANER

FIGURE 37 - FILTRE A AIR

FIGURA 37 - FILTRO DE AIRE

SLIKA 38 - REZERVOAR ZA GORIVO I HLADNJAK
FIGURE 38 - FUEL TANK AND RADIATOR
FIGURE 38 - RESERVOIR ET RADIATEUR
FIGURA 38 - RADIATOR Y DEPOSITO DE COMBUSTIBLE



| Poz. broj | Broj del a | 23 | 57510018 24 | 52000872 25 | 52000873 26 | 51900570 |
|-----------|---|--|-------------|-------------|-------------|----------|
| | | Naziv | | | | |
| | (A) 51602390 | | | | | |
| 1 | 51602380 2 53306130 | Hladnjak za vodu - sklop... | | | | |
| 3 | 53306180 | Hladnjak za vodu | | | | |
| 4 | 53306146 5 57506120 | Zatvarač hladnjaka | | | | |
| 6 | JUSM.B 1.456-4.8x9, | Slavina | | | | |
| 7 | IS2104-M12x25 | Prelivna cev Deflektor vijak za lim Vijak Podloška | | | | |
| | IS 2272-13 | Gumeni podmetač Crevo gumeno - donje | | | | |
| 8 | 57506201 9 51600349 10 51600411 11 51605610 | Žičana obujmica | | | | |
| 12 | IS 2291-2x12 | Držać hladnjaka | | | | |
| 13 | IS 2272-8.4 | Rascepka | | | | |
| 14 | 57506211 15 51600422 16 52002470 17 | Podloška | | | | |
| | 56010850 | Gumeno crevo Žičana obujmica Rezervoar za gorivo Sito rezervoara | | | | |
| 18 | 53310340 | Zatvarač rezervoara | | | | |
| 19 | JUSM.B2151-B4.3 | Podloška | | | | |
| 20 | IS2103-M4x10 | Vijak Navrtka | | | | |
| 21 | IS2171-M8 | Podloška | | | | |
| | IS 2272-8,4 | Obujmica rezervoara | | | | |
| 22 | (B) 52002480 | Obujmica rezervoara | | | | |
| | (B) 52004470 | Filcani podmetač | | | | |
| | | Gumena traka prednja Gumena traka zadnja | | | | |
| | | Davač nivoa goriva-komplet. | | | | |

Description

Designation

Descripcion

Kom.

| | | | |
|-------------------------|--------------------------|---------------------------|---|
| Radiator Assy | Radiateur | Radiator | 1 |
| Radiator | Radiateur | Radiator | 1 |
| Cap | Chapeau | Tapa | 1 |
| Tap | Robinet | Grifo | 1 |
| Tube | Tube | Tubo | 1 |
| Shroud | Defecteur | Defensa | 1 |
| Screw | Vis | Tornillo | 8 |
| Screw | Vis | Tornillo | 3 |
| Washer | Rondelle | Arandela | 3 |
| Pad | Tampon | Relleno | 2 |
| Hose | Dunte | Tubo | 1 |
| Clip | Collier | Abrazadera | 2 |
| Bracket | Support | Soporfe | 1 |
| Pin | Goupille | Pasador | 2 |
| Washer | Rondelle | Arandela | 2 |
| hose | Dunte | Tubo | 1 |
| Clip | Collier | Abrazadera | 2 |
| Tank | Reservoir | Deposito | 1 |
| Strainer Assy | Rltre | Rltro | 1 |
| Cap | Bouchon | Tapa | 1 |
| Washer | Rondelle | Arandela | 6 |
| Bolt | Boulon | Perno | 6 |
| Nut | Ecrou | Tuerca | 4 |
| Washer | Rondelle | Arandela | 4 |
| Strap | Plaquette | Placa | 2 |
| Strap | Plaquette | Raca | 2 |
| Pad | Blac | Taco | 4 |
| Tape-front | Bande en gomme | Cinta-delantera | 1 |
| Tape - rear | Bande en gomme | Qnta - trasera | 1 |
| Sender | Flocteur | Medidor | 1 |

SLIKA 38 - REZERVOAR ZA GORIVO I HLADNJAK

FIGURE 38 - FUEL TANK AND RADIATOR

FIGURE 38 - RESERVOIR ET RADIATEUR

FIGURA 38 - RADIATOR Y DEPOSITO DE COMBUSTIBLE

NAPOMENE: NOTES: (A) Alternativno Alternative Alternatif (A) Obuhvata poz
Includes items from No. 1 to 6 Comprend REF No 1-6 br 1 do 6

NOTES: Alternativamente Incluye ITEM No 1-6 NOTAS:

SLIKA 39 - LIMARIJA
FIGURE 39 - SHEET METAL
FIGURE 39 - CARROSSERIE
FIGURA 39 - CAROCERIA

| Poz. broj | Broj dela | Naziv | | | | | |
|-----------|-----------------------|---------------------------------|-------------------------|------------------------------|--------------------|------------------------------|------|
| 1 | 52001260 | Nosač maske | | | | | |
| 2 | IS2102-M16x35 | Vijak | IS 2272-6,4 | Vijak | Podloška | | |
| | IS 2272-17 | Podloška | | Podloška | 32 | Poklopac table - sklop . . . | |
| | IS 2281-16 | Opružna podloška | SLIKA 39 | Gumeni profil | | | |
| 3 | 52000489 | Gumeni profil | LIMARIJA | Poklopac osigurača | | | |
| | | | FIGURE 39 | Vijak | | | |
| 4 | 52001270 | Maska hladnjaka gornja | SHEET METAL | | | | |
| | | | Description | Designatiofi | Descripcion | | Kom. |
| 5 | 52001280 | Vijak | | | | | |
| | Maska hladnjaka donja | Podloška | Platform | Support de grille | Soporte de rejilla | | 1 |
| 6 | 52001060 | Plasť gornji | FIGURE 39 - CARROSSERIE | | | | |
| | Zaštitni znak IMT | Plasť levi | FIGURA 39 - CAROCERIA | | | | |
| 7 | IS2103-M8x15 | Plasť desni | | | | | |
| | IS 2272-8,4 | Vijak | | | | | |
| 8 | 52002610 | Podloška | | | | | |
| 9 | 52001300 10 | Vijak | | | | | |
| | 52001310 | Podloška | | | | | |
| 11 | IS 2103-M8x15 | Nastavak plašta levi | | | | | |
| | IS 2272-8,4 | Nastavak plašta desni | | | | | |
| 12 | IS2103-M10x20 | Vijak | | | | | |
| | IS 2272-10,5 | Podloška | | | | | |
| 13 | 52001320 | Poklopac | | | | | |
| 14 | 52001330 | Podloška | | | | | |
| 15 | IS2101-M10x20 | Vijak | | | | | |
| | IS 2272-10,5 | Nosač prednji | | | | | |
| 16 | 52000270 | | | | | | |
| 17 | 54010072 | | | | | | |
| | IS 2101-M 10x20 | Opružna podloška | | | | | |
| 18 | 52002450 | | | | | | |
| 19 | 57510011 | Vijak | | | | | |
| | IS2101-M10x55 | Vijak | | | | | |
| | IS 2281-10 | | | | | | |
| | IS2171-M10 Navrtka 26 | 52001553 Tabla za | | | | | |

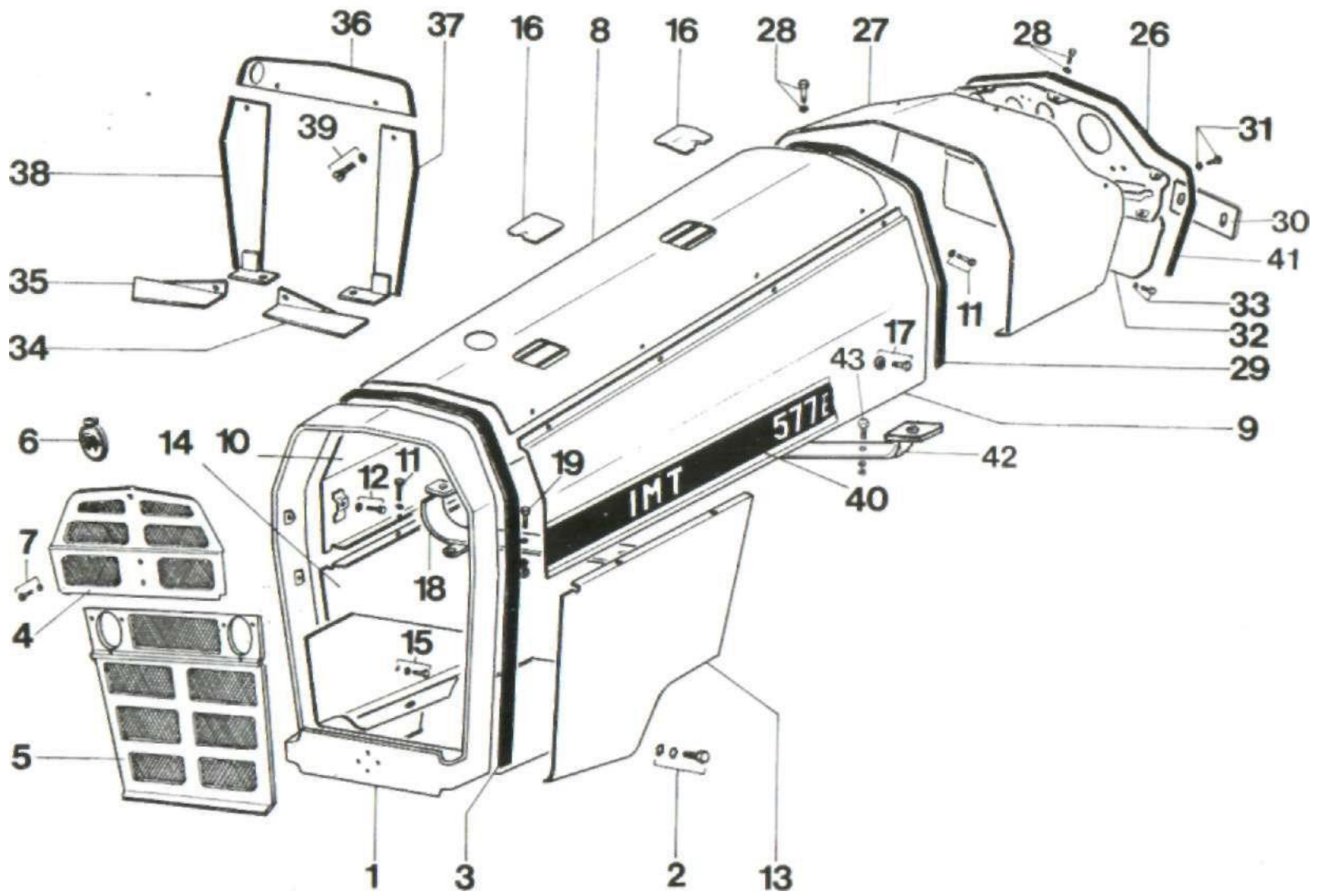
instrumente sklop

| | | |
|----|-------------|------------------------------------|
| 27 | | 52001555 Omotač instrument table . |
| 28 | | IS 2103-M6x12 |
| | IS 2272-6,4 | |
| 29 | | 52000699 |
| 30 | | 52001460 |
| 31 | | IS2103-M6x12 |

| | | | |
|-----------------------|-----------------------|-----------------------|----|
| Bolt | Boulon | Perno | 4 |
| Washer | Rondelle | | |
| Spring washer | Rondelle-ressort | Arandela de resorte | 4 |
| Rubber profile | Profil en gomme | Perfil de goma | 1 |
| | | Mascara del radiador | |
| Radiator grille-top | Masque de rad. haut | | |
| | | Mascara del radiador | |
| Radiator grille-low | Masque de rad. bas | - inferior | 1 |
| Emblem IMT | Embleme-IMT | Emblema de IMT | 1 |
| Bolt | Vis | | |
| Washer | Rondelle | | |
| Hood-top | Capot haut | Capucho superior | 1 |
| Hood-LH | Capot-g | Capucho izquierdo | 1 |
| Hood-R.H | Capot-dr | Sapucho derecho | 1 |
| Bolt | Vis | Perno | 10 |
| Washer | Rondelle | Arandela | 10 |
| Bolt | Vis | Perno | 4 |
| Washer | Rondelle | Arandela | 4 |
| Extension L.H | Rallonge de capot-gr. | Extension izquierda | 1 |
| Extension R.H | Rallonge de capot-dr | Extension derecha | 1 |
| Bolt | Vis | Perno | 2 |
| Washer | Rondelle | Arandela | 2 |
| Cover | Chapeau | Cubierta | 2 |
| Washer | Rondelle | Arandela | 2 |
| Bolt | Vis | Perno | 2 |
| Cartier-front | Support av. | Soporte delantero | 1 |
| Bolt | Vis | Perno | 1 |
| Bolt | Vis | Perno | 1 |
| Spring washer | Rondelle-ressort | Arandela de resorte | 2 |
| Nut | Ecrou | Tuerca | 2 |
| | | Tabla de instruments | |
| Instrument panel-assy | Panneau | - ensamble | 1 |
| | d'instruments-ens | Envoltura de tabla de | |
| Cartridge | Enveloppe de panneau | instrumentos | 1 |
| Bolt | Boulon | Perno | 8 |
| Washer | Rondelle | Arandela | 8 |
| Rubber profile | Profil en gomme | Perfil de goma | 1 |
| Cover | Couvercle | Tapa | 1 |
| Bolt | Vis | Perno | 2 |
| Washer | Rondelle | Arandela | 2 |
| Cover | Couvercle de | Tapa de tabla | |
| | panneau-ens | - ensamble | 1 |

| | | | |
|----------|---|---|-----|
| Arandela | 2 | 4 | 117 |
| | | 1 | |
| superior | 1 | | |
| | | 1 | |
| | | 1 | |
| Perno | 3 | | |
| Arandela | 1 | | |
| | | 1 | |
| | | 1 | |
| | | 1 | |
| Arandela | | | |
| Perno | | | |
| Arandela | | | |
| | | 1 | |

SLIKA 39-LIMARIJA
FIGURE 39 - SHEET METAL
FIGURE 39 - CARROSSERIE
FIGURA 39 - CAROCERIA



SLIKA 39-LIMARIJA
 FIGURE 39 - SHEET METAL
 FIGURE 39 - CARROSSERIE
 FIGURA 39 - CAROCERIA

| Poz. broj | Broj dela | Naziv | Description | Designation | Description | Kom. |
|-----------|--------------------------|---|--|--|--|------|
| | | | | | Perno | 12 |
| | IS2103-M6x12 | Vijak | Bolt | Vis | | |
| 33 | IS 2272-6,4 | Podloška | Washer | Rondelle | Arandela | 12 |
| 34 | 52001088 | Lim levi Sheet metal LH | Tole-g Chapa izquierda | 1 | | |
| 35 | 52001089 | Lim desni Sheet metal R.H | Tole-dr Chapa derecha | 1 | | |
| 36 | 52002010 | Deflektor gornji Deflector top | Deflecteur - H Deflector izquierdo | 1 37 52002020 Deflektor levi Deflector LH | Deflecteur-g Deflector izquierdo | 1 |
| 38 | 52002030 | Deflektor desni Deflector-R.H | Reflecteur-dr Deflector derecho | 1 | | |
| 39 | IS 2167-4,8x13 | Vijak Bolt | Vis Perno | 2 | | |
| | IS 2272-6,4 | Podloška | Washer | Rondelle | Arandela | 2 |
| 40 | (A) 52001788 | Preslikao bočni levi Sticker, side LH | Decalcomanie later-g Hjador lateral, izquierdo | 1 (B) 52001789 Preslikac bočni levi Sticker side LH | Decalcomanie later-g Fijador lateral, izquierdo | 1 |
| | (A) 52001793 | Preslikac bočni desni Sticker, side R.H | Decalcomanie-later-dr. ... Fijader lateral derecho | 1 (B) 52001794 Preslikac bočni desni Sticker, side R.H | Decalcomanie-later-dr. ... Fijador lateral derecho | 1 |
| | (A) 52001791 | Preslikac na levom blatobranu Sticker at left fender | Decalcomanie | | Calcomania | 1 |
| | (B) 52001795 | Preslikac na levom blatobranu Sticker at left fender | | | | |
| | (A) 52001792 | Preslikac na desnom blatobranu Sticker at right fender... | | | | |
| | (B) 52001796 | Preslikac na desnom blatobranu | Sticker at right fender... | Decalcomanie | Calcomania | 1 |
| | 52001844 | Preslikac na levim vratima | Sticker at left door | Decalcomanie | Calcomania | 1 |
| | 52001845 | Preslikac na desnim vratima | Sticker at right door | | | |
| 41 | 52000708 | Traka ukrasna | Decoration band | Decalcomanie | Calcomania | 1 |
| 42 | 52004370 | Nosač zadnji | Support, rear | Decalcomanie | Calcomania | 1 |
| 43 | IS 2101-M 10x25 | Zavrtanj Bolt | Vis | Decalcomanie | Calcomania | 1 |
| | IS 2281-16 | Spring washer | Podloška opružna | Ruban-ornement | Cinta decorativa | 1 |
| | IS2171-M10 | Navrtka | Nut | Support | Soporte | 1 |
| | | | | | Tornillo | 2 |
| NAPOMENE: | (A) Za traktor IMT-577 E | (B) Za traktor IMT-577 DV E | For tractor IMT-577 DV E | Rondelle | Arandela | 2 |
| NOTES: | For tractor IMT-577 E | For tractor IMT-577 DV E | | Ecrou | Tuerca | 2 |
| NOTES: | Au tracteur IMT-577 E | Au tracteur IMT-577 DV E | | | | |
| NOTAS: | Para tractor IMT-577 E | Para tractor IMT-577 DV E | | | | |

POZ.

Naziv

Description

Designation

Descripcion

Kom.

broj

Broj dela

| | | | | | |
|---|----------|-----------|------|---------|---|
| 1 | 52739780 | Ram Frame | Bati | Armazon | 1 |
|---|----------|-----------|------|---------|---|

2

52739240

Krov Roof

Toit

Techo 1

3 52725819 Podmetač gumeni Pad Gomme Goma 2 4 IS2171-M6 Navrtka Nut Ecrou Tuerca 6

5 IS 2272-6 Podložka Washer Rondelle Arandela 6

6 52725437 Staklo zadnje Glass, rear Glace, arriere Vidrio, trasero 1 7 52725432 Profil gumeni Rubber profile Rofil en gomme Burlete de goma 1 8

52725949 Zatvarač prozora Window lock Fermeture de fenetre Cierre de ventana 1 9 52726066 Prsten gumeni Collar Bague en gomme Anillo de

goma 32

10

52725925

Podložka za staklo

Washer Rondelle

Arandela

64

11

52725961

Nosač prozora desni

Window support, R.H

Support de fenetre

Soporte de ventana

1

12

52739170

Nosač prozora levi

Window support, LH

Support de fenetre

Soporte de ventana

1

13 IS2101-M8x35 Zavrtanj Bolt Vis Tornillo 60

14 IS2171-M8 Navrtka Nut Ecrou Tuerca 32

15

52725514

Kapa

Cap

Bouchon

Tapon 66

16

52726087

Podložka

Washer Rondelle

Arandela

32

17

52739150 Šarka Hinge Charniere Bisagra 2 18 52725439 Ploča Rate Raque Raca 2 19 52725947 Ploča Plate Plaque Placa 1 20 52725944 Guma

zaštitna Rubber-protective Gomme de protection Goma de proteccion 2

21 52725431 Guma Rubber Gomme Goma 2 22 52725958 Guma zaštitna Rubber-protective Gomme de protection Goma de proteccion 2

| | | | | | | |
|----|----------|---------------|------|--------------------------|--------------------------|---|
| 23 | 52725951 | Guma zaštitna | Rate | Gomme de protection | Goma de protecció n | 4 |
|----|----------|---------------|------|--------------------------|--------------------------|---|

| | | | | | |
|----|--------------|----------|-----------------|----------|---|
| 24 | IS 2272-10,5 | Podložka | Washer Rondelle | Arandela | 2 |
|----|--------------|----------|-----------------|----------|---|

25 IS 2291-3,2x18 Rascepka Cotter-pin Goupille fendue Pasador doble 2

26

IS 2351-10x90x85

Osovinica

Rn

Axe

Perno 2

2827

52739330

Vrata leva

Door, LH

Porte gauche Glace

Vidrio Puerta izquierda

21

29 52725494 Staklo Glass Rofil en gomme, G Burlete de goma, i 1 30 52725497 Profil gumeni, levi Rubber profile, LH Gomme Goma 2

31 52725496 Umetak gumeni Pad Serrure ex. G Cerradura, ex. i 1

| | | | | | | |
|----|----------|---------------------|-----------------|----------------|-------------------|---|
| 32 | 52725006 | Brava spoljna, leva | Lock, outer, LH | Serrure int. G | Cerradura, int.i. | 1 |
|----|----------|---------------------|-----------------|----------------|-------------------|---|

33

52725007

Brava unutrašnja, leva Lock, inner, LH

Retroviseur

Retrovisor

2

34

52726021

Ogledalo

Mirror

Profil en gomme

Burlete de goma 2

35

52725509 Profil gumeni Rubber profile Porte droite Puerta derecha 1 36 52739340 Vrata desna Door, R.H

| | | | | | | |
|----|----------|---------------------|------------------|----------------|------------------|---|
| 37 | 52726004 | Brava spoJna, desna | Lock, outer, R.H | Serrure, ex. D | Cerradura, ex. D | 1 |
|----|----------|---------------------|------------------|----------------|------------------|---|

38

52725495

Profil gumeni, desni

Rubber profile, R.H

Rofil en gomme, D

Burlete de goma, D

1

39

52726005

Brava unutrašnja, leva.... Lock, inner LH

Serrure, int. G

Cerradura, int. i 1

40

IS2351-10x40x65

Osovinica

Pin

Axe

Perno 2

41 IS 2291-3,2x18 Rascepka Cotter pin Goupille fendue Pasador doble 4

45

52725443

Profil gumeni

Rubber profile

Profil en gomme

Burlete de goma 2

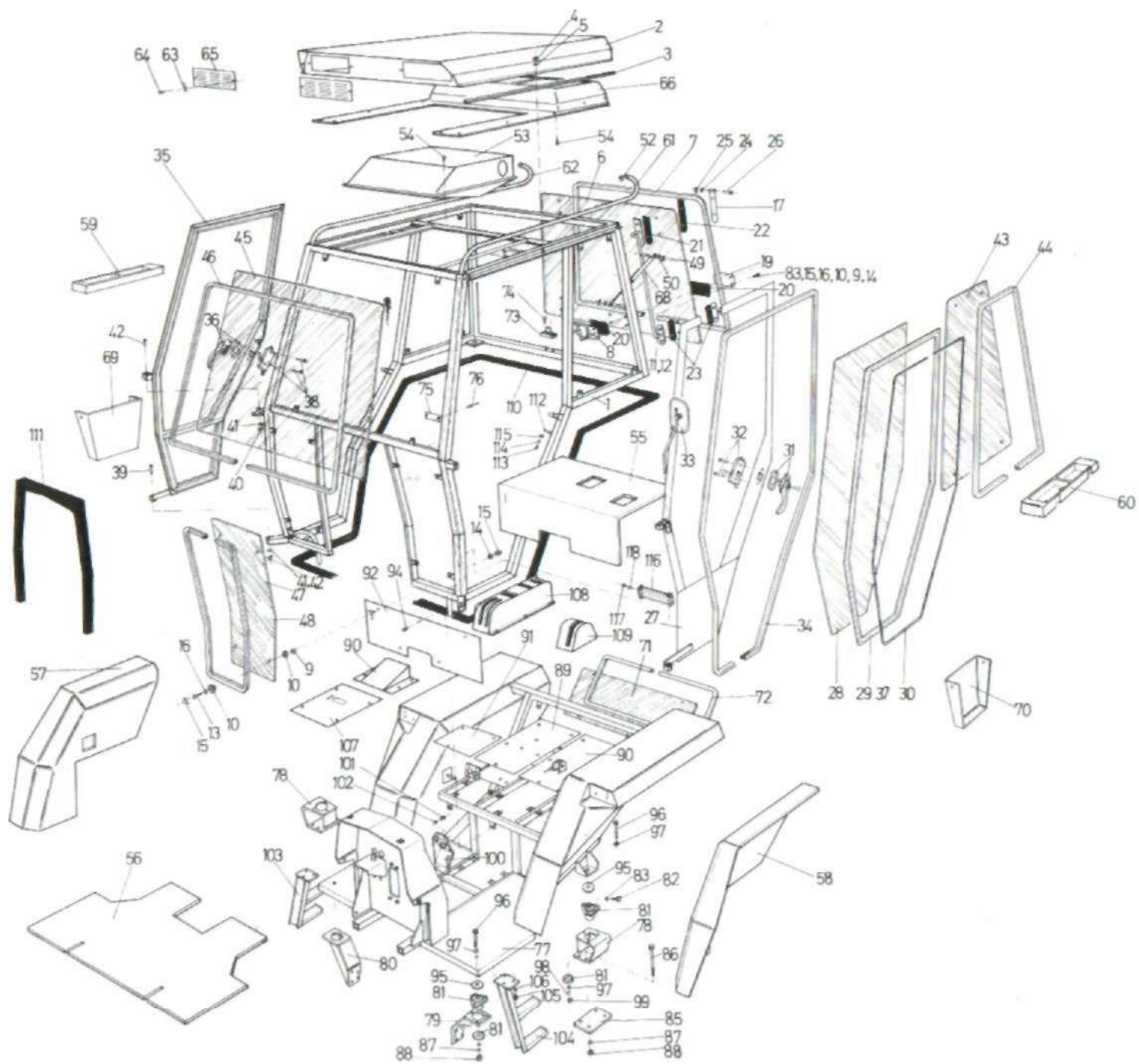
SLIKA 40 - KABINA I PLATFORMA

FIGURE 40 - CAB AND PLATFORM

FIGURE 40 - CABINE ET PLATE-FORME

FIGURA 40 - CABINA Y PLATAFORMA

SLIKA 40 - KABINA I PLATFORMA
FIGURE 40 - CAB AND PLATFORM
FIGURE 40 - CABINE ET PLATE-FORME
FIGURA 40 - CABINA Y PLATAFORMA



Poz. Broj deia Naziv Description Designation Descripcion Kom. broj

47 52725658 Staklo donje Glass, bottom Glace inferieure Vidrio inferior 2 48 52725659 Profil gumeni Rubber profile Profil en gomme Burlete de goma

2 49 IS 2291-2x20 Rascepka Cotter pin Goupille fendue Pasador doble 4

50

IS 2272-8,4 Podloška

Washer Rondelle

Arandela

4

51

52726026

Profil gumeni

Rubber profile

Profil en gomme

Burlete de goma 1

52

701157

Obujmica

Clamp

Collier

Abrazadera

4

53

52737420

Grejno ventilacioni

Dispositif de

Calefactor y

uređaj

Heater and fan

chauffage et dim

ventilador

1

54

IS 2167-6, 3x13

Zavrtanj Bolt

Vis

Tornillo 27

55

52725933

Izolacija zadnja

Insulation, rear

Isolement arrieYe Aislamiento trase 1

56

52725931

Izolacija insulation

Isolement

Aislamiento

1

57

52725891

Izolacija blatobrana

Fender, R.H.

Isolement de

Aislamiento de desnog

insulation

garde

-

boue, D

guardabarros, D 1

58

52725892

Izolacija blatobrana

Fender, LH.

Isolement de garde

Aislamiento de

levog

insulation

- boue, G

guardabarros, i

1

59

52725922

Kaseta na blatobranu

Boite sur garde - Caja sobre desnom

Cassette R.H

boue,

droite

guardabarros D 1

60

52725923

Kaseta na blatobranu

Boite sur garde -

Caja sobre levom

Cassette, LH

boue, gauche

guardabarros i

1

| | | | | | | |
|----|----------|---------------|---------------|-------|----------|---|
| 61 | 52725457 | Crevo dovodno | Hose-delivery | Tuyau | Manguera | 1 |
|----|----------|---------------|---------------|-------|----------|---|

62 52725456 Crevo odvodno Hose - drain Tuyau Manguera 1 63 52724809 Nosač Support Support Soporte 4 64 IS 2167-6,3x13 Zavrtanj Bolt vis

Tornillo 4

65 52739280 Mreža-sklop Net-Assy Filet, ass Red, conj 2 66 52725458 Izolacija Insulation Isolement Aislamiento 1

67

52725463

Izolacija Insulation

Isolement

Aislamiento

2

68

52724400

Amortizer

Shock absorber

Amortisseur

Amortiquador

2

69

52725894

Kaseta u vratima «Boite sur la porte»

Caja sobre la puerta desnim

Cassette R.H

droite

derecha 1

70

52725893

Kaseta u vratima Boite sur la porte Caja sobre la puerta

levim

Cassete, LH

gauche

izquierda

1

71

52725941

Staklo platforme

Platform glass

Glace de plate-f

Vidrio de plataf

1

72

52725896

Profil gumeni

Rubber profile

Profil en gomme

Burlete de goma 1

73

52725470

Brava

Lock

Serrure Cerradura

1

74

IS2126-M6X30

Zavrtanj Bolt

Vis

Tornillo 2

75

61100001

Pločica natpisna

Emblem plate

Plaque d'embleme

Placa de emblema

1

76

52726138 Poprečna zakovica Rivet Plaque Placa 2 77 52739520 Platforma Platform Plate-forme Plataforma 1

78 52739760 Nosač zadnji Support, rear Support, arriere Soporte, trasero 2 79 52739730 Nosač levi Support, LH Support, gauche Soporte, izquierdo 1

80 52739740 Nosač desni Support, R.H Support, droite Soporte, derecho 1 81 52739470 Oslonac elastični Support-flexible Support elastique Soporte

elastico 4

82 IS2104-M12X2J

Zavrtanj Bolt

Vis

Tornillo 20 83

IS2101-M8X25

Zavrtanj Bolt

vis

Tornillo 4

84

IS 2281-12

Podložka opružna Spring washer

Rondelle

Arandela

12

85

52725991

Ploča

Plate

Plaque

Placa 2

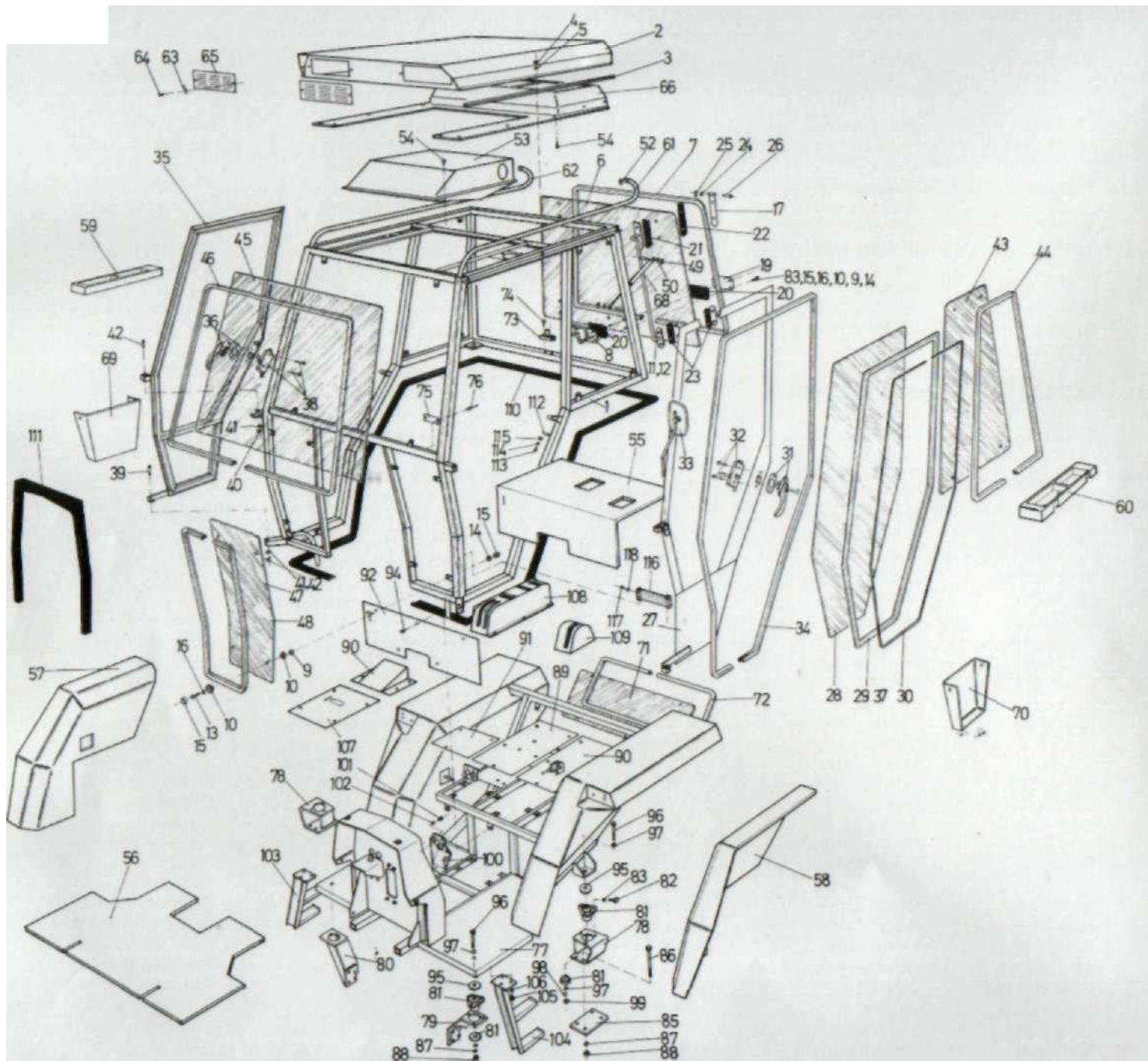
SLIKA 40 - KABINA I PLATFORMA

FIGURE 40 - CAB AND PLATFORM

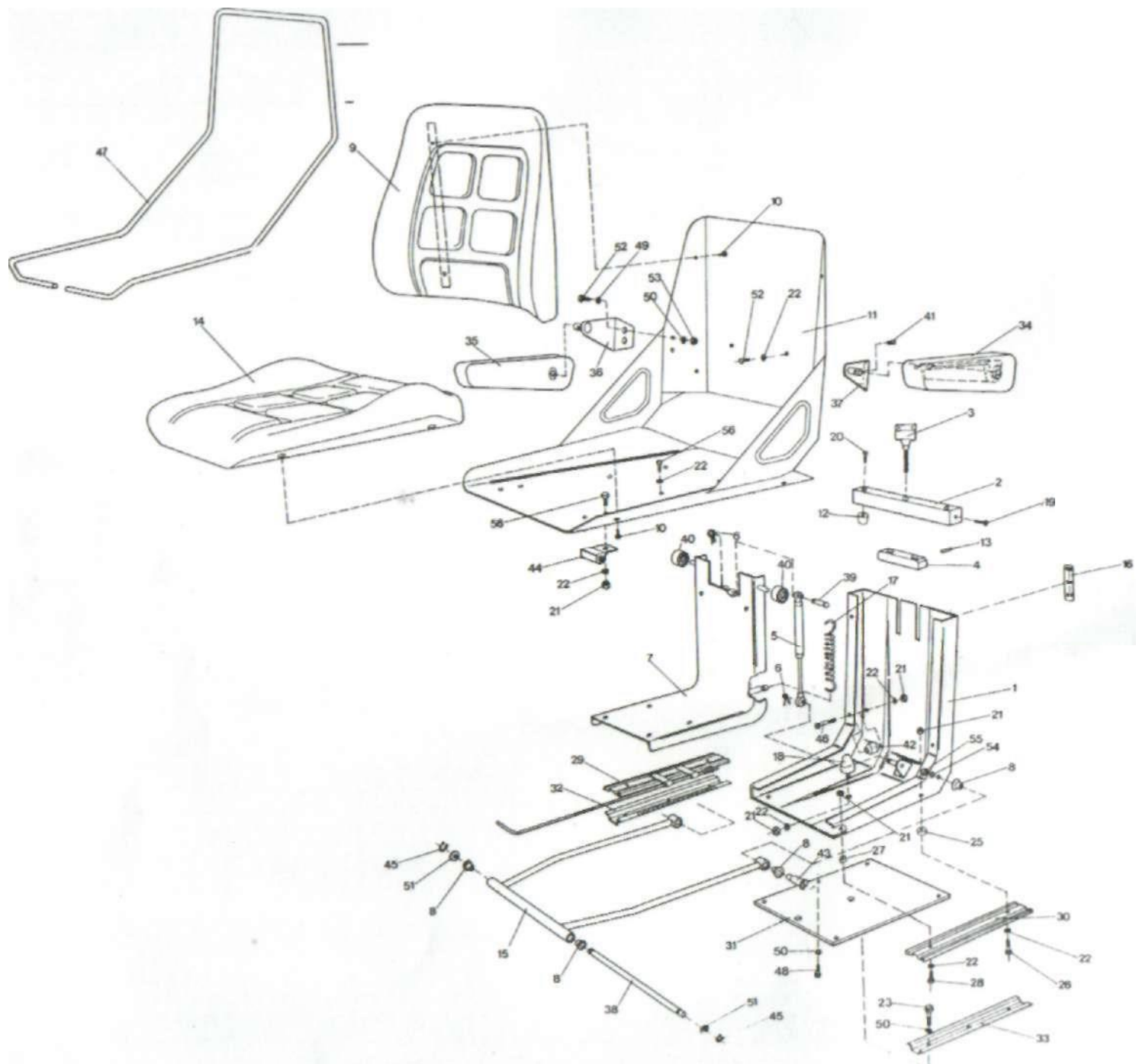
FIGURE 40 - CABINE ET PLATE-FORME

FIGURA 40 - CABINA Y PLATAFORMA

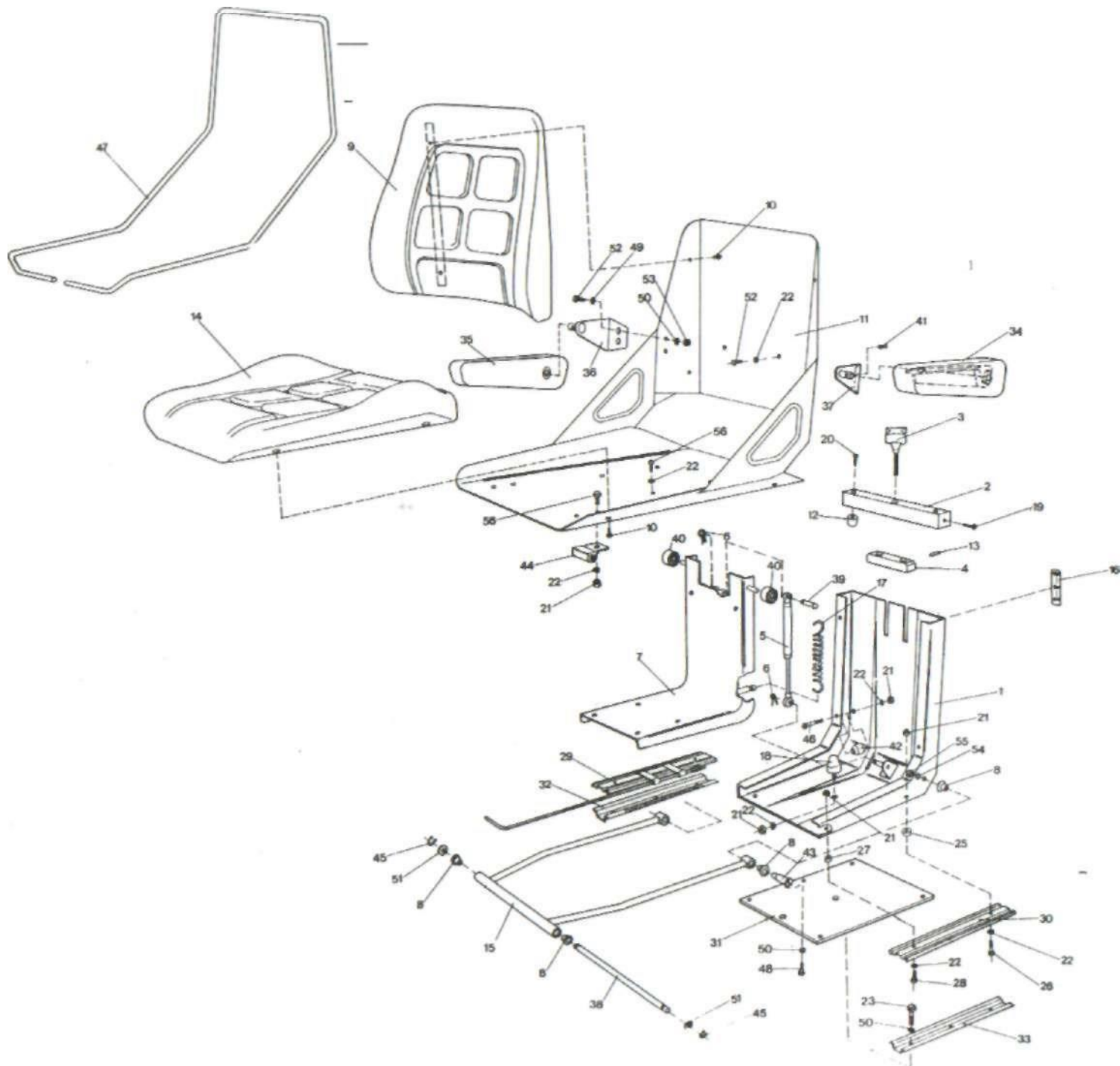
SLIKA 40 - KABINA I PLATFORMA
FIGURE 40 - CAB AND PLATFORM
FIGURE 40 - CABINE ET PLATE-FORME
FIGURA 40 - CABINA Y PLATAFORMA



SLIKA 41 -SEDIŠTE (52004510)
FIGURE 41 - SEAT (52004510)
RGURE 41 - SIEGE (52004510)
FIGURA 41 - ASIENTO (52004510)



SLIKA 41 - SEDIŠTE (52004510)
FIGURE 41 - SEAT (52004510)
RGURE 41 - SIEGE (52004510)
FIGURA 41 -ASIENTO (52004510)



Poz. Broj dela **Naziv** Description Designation **Description** **Kom. broj**

38 52001591 Osovina Shaft Arbre 39 603289 Osovinica Pin Axe

IS 2352-10x40x36

IS 2352-10x40x36

IS 2352-10x40x36

40

53206040

Ležaj Bearing Palier

41

52001433

Vjak

Bolt

Vis

42

52001446

Vodica Guide Guide

43

52001578

Vijak

Bolt

Vis

44

52001576

Nosač Support Support

45 600200 Uskočnik Circlip Circlip Aro reten

JUSM.C2.401-12

JUSM.C2.401-12

JUSM.C2.401-12

46

52001681

Vijak

Bolt

Vis

47

52001816

Traka ukrasna

Decorative band

Decoration

48

600504 Vijak

Bolt

Vis

Tornillo

IS2103-M8x28

IS2103-M8x28

IS2103-M8x28...

IS 2272-8

IS 2272-8

IS 2272-8

51 602425 Podloška Washer Rondelle Arandela

IS 2272-12

IS 2272-12

IS 2272-12

52

600688 Vijak

Bolt

Vis

Tornillo

IS2101-M8x20

IS2101-M8x20

IS2101-M8x20

53

600888 Navrtka Nut

Ecrou

Tuerca

IS2271-M8

IS2271-M8

IS2271-M8

| | |
|------------------|----|
| Eje | 1 |
| Perno | |
| IS 2352-10x40x36 | 1 |
| Cojinete | 2 |
| Tornillo | 2 |
| Guia | 4 |
| Tornillo | 2 |
| Soporte | 2 |
| JUSM.C2.401-12 | 2 |
| Tornillo | 4 |
| Decoracion | 1 |
| IS2103-M8x28 | 1 |
| Arandela | |
| IS 2272-8 | 4 |
| IS 2281-8 | 9 |
| IS 2272-12 | 2 |
| IS2101-M8x20 | 4 |
| IS2271-M8 | 4 |
| IS 2281-10 | 2 |
| IS2171-M10 | 2 |
| Tornillo | |
| IS2103-M6x15 | 10 |

55

600429 Navrtka Nut

Ecrou

Tuerca

IS2171-M10

IS 2171-M10

IS2171-M10

56

600757 Vijak

Bolt

Vis

IS2103-M615

IS 2103-M6X15

IS2103-M6x15

SLIKA 41 -SEDIŠTE (52004510)

FIGURE 41 - SEAT (52004510)

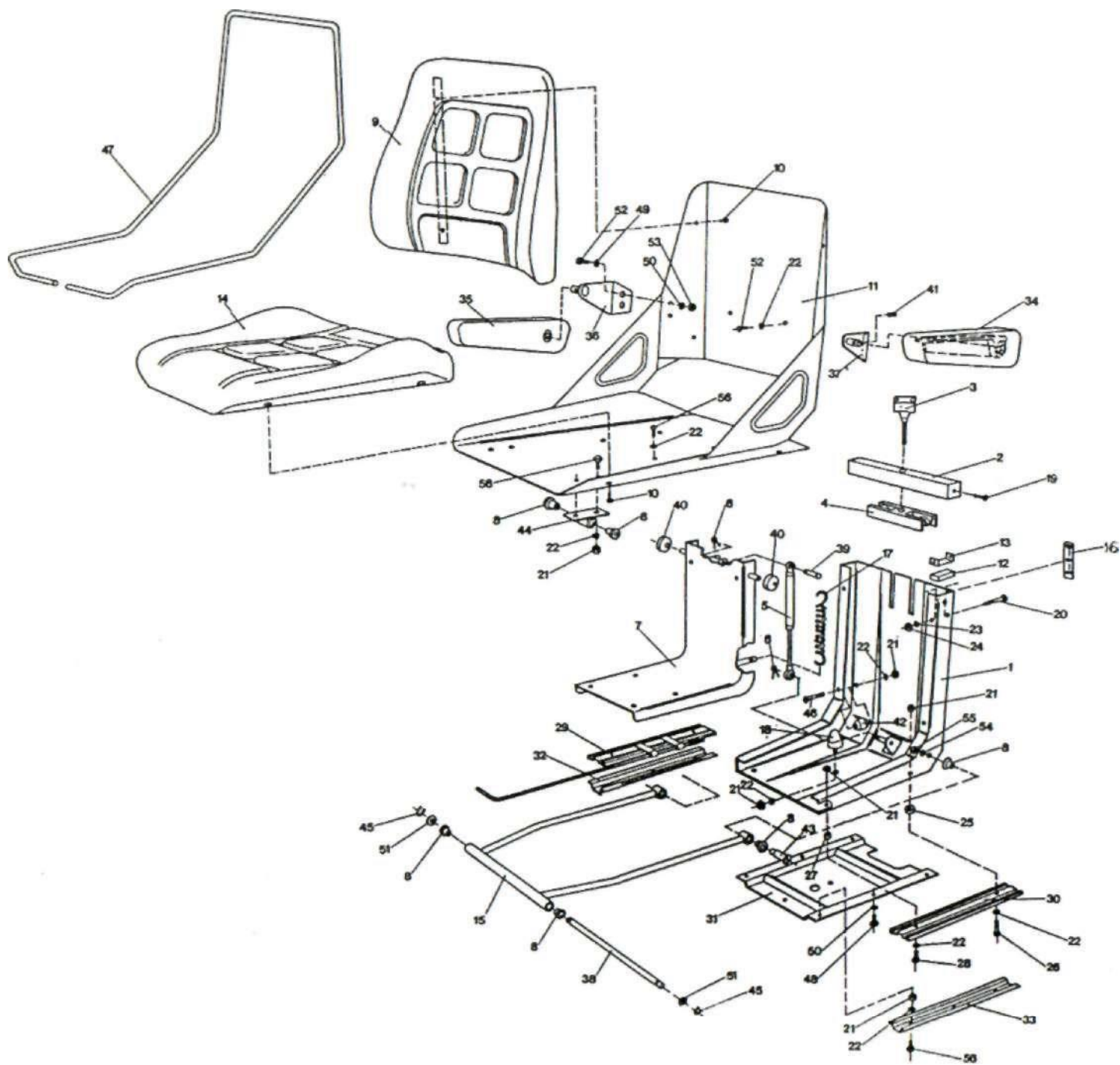
FIGURE 41 - SIEGE (52004510)

FIGURA 41 - ASIENTO (52004510)

| Poz. broj | Broj dela | Naziv | Description | Designation | Descripcion | Kom. |
|-----------|-----------|---|--|--|---------------------------------------|------|
| | | Stub sklop | Seat frame-Assy | Support de siege | Soporte de asiento | 1 |
| 1 | 52002377 | | | | | |
| 2 | 52002379 | Poklopac Cover | Couvercle Tapa 1 | | | |
| 3 | 52001864 | Vijak Bolt | Vis Tornillo 1 | | | |
| 4 | 52001861 | Nosač opruge Spring support | Support de ressort Soporte de resorte 1 5 | 52001235 Amortizer Shock absorber | Amortisseur Amortiguador 1 | |
| 6 | 602001 | Rascepka Cotter-pin Goupille fendue Pasador doble | | | | |
| | | IS 2291-3,2x16 IS2291-312X16 IS 2291-3.2x16 IS2291-3,2x16 2 7 | | 52002381 Nosač-sklop Support-Assy Support, ass Soporte, conj | | |
| 1 | | | | | | |
| 8 | 52001577 | Čaura Bushing | Bague Buje 10 | | | |
| 9 | 52003530 | Naslon sedišta | Seat back Dossier Respaldo 1 | | | |
| 10 | 600855 | Vijak za lim | Tornillo Screw IS2167-6,3x22 | Vis IS 2167-6,3x22 | IS 2167-6,3x22 | 8 |
| 11 | 52002383 | Školjka Frame | Support Soporte 1 | | | |
| 12 | 52002083 | Graničnik gumeni | Stop, rubber Arret de gomme | Tope de goma 2 | | |
| 13 | 52002077 | Graničnik Stop Arret Tope 2 14 | 52003510 Sedište Seat Siege Asiento 1 | | | |
| 15 | 52002385 | Nosač Support | Support Soporte 1 | | | |
| 16 | 52001232 | Nalepnica-skala | Sticker-scale Decalcomanie Calcomania 1 | | | |
| 17 | 52001205 | Opruga Spring | R ressort Resorte 2 | | | |
| 18 | 52001376 | Graničnik gumeni | Stop, rubber Arret de gomme | Topa de goma—1 | | |
| 19 | 600857 | Vijak za lim | Tornillo Screw IS2167-6,3x13 | Vis IS 2167-6,3x13 | IS 2167-6,3x13 | 2 |
| 20 | 602355 | Vijak IS2101-M5x50 | Bolt IS2101-M5X50 | VisIS2101-M5x50 | Tornillo IS 2 1 0 1 - M 5 X 5 0 . . 2 | |
| 21 | 600425 | Navrtka IS2171-M6 Nut IS2171-M6 Ecrou IS2171-M6 TuercaIS2171-M6 15 22 | 602093 Podloška elastična Washer-flexible Rondelle elastique Arandela elastica | | | |
| | | IS2281-6 | IS2281-6 | IS2281-6 | IS 2281-6 | 21 |
| 23 | 601957 | Podloška elastična Washer-flexible | Rondelle elastique Arandela elastica | | | |
| | | IS2281-5 | IS2281-5 | IS2281-5 | IS2281-5 | 2 |
| 24 | 600423 | Navrtka IS2171-M5 | Nut IS2171-M5 Ecrou IS2171-M5 TuercaIS2171-M5 2 | | | |
| 25 | 52001378 | Odstojnik | Spacer Entretoise Espaciador 2 | | | |
| 26 | 600681 | Vijak IS2103-M6x28 | Bolt IS2103-M6x28 VisIS2103-M6x28 | Tornillo IS2103-M6x28 . . 2 | | |
| 27 | 52001379 | Odstojnik | Spacer Entretoise Espaciador 2 | | | |
| 28 | 601423 | Vijak IS2103-M6x18 | Bolt IS2103-M6X18 | V I S I S 2 1 0 3 - M 6 X 1 8 | Tornillo IS2103-M6x18 . . 2 | |
| 29 | 52001869 | Šina Rail | Raie Riel 1 | | | |
| 30 | 52001871 | Šina Rail Raie Riel 1 31 | 52001863 Ploča Plate Plaque Placa 1 | | | |

| | | | | | | | | | | | | | | | | | | | |
|----|----------|----------------|----------|---------|----------|---|----|----------|------------------|----------|-------|-------|---|----|----------|------------------|---------|---------|---------|
| 32 | 52001872 | Šina | Rail | Raie | Riel | 1 | | | | | | | | | | | | | |
| 33 | 52001873 | šina | Rail | Raie | Riel | 1 | | | | | | | | | | | | | |
| 34 | 52001439 | Naslon za ruke | Arm rest | Bras | Brazo | 1 | 35 | 52001441 | Naslon za ruke | Arm rest | Bras | Brazo | 1 | 36 | 52001431 | Nosač | Support | Support | Soporte |
| | | 1 | | | | | | | | | | | | | | | | | |
| 37 | 52001434 | Nosač | Support | Support | Soporte | 1 | 38 | 52002115 | Osovina | Shaft | Arbre | Eje | 1 | 39 | 603289 | Osovinica | Pin | Axe | Perno |
| | | | | | | | | | | | | | | | | | | | |
| | | | | | | | | | IS 2352-10x40x36 | | | | | | | IS 2352-10x40x36 | | | |
| | | | | | | | | | | | | | | | | | | | |
| 40 | 52002072 | Ležaj | Bearing | Palier | Cojinete | 2 | | | | | | | | | | | | | |

SUKA 41/1 - SEDIŠTE (52002388)
RGURE 41/1 - SEAT (52002388)
RGURE 41/1 - SIEGE (52002388)
RGURA 41/1 - ASIENTO (52002388)



Poz.

Naziv

Description

Designation

Descripcion

Kom.

broj Broj deJa

Soporte 2 45 600200 Uskočnik Cirdip Cirdip Aro reten

JUSM.C2.401-12

JUSM.C2.401-12

JUSM.C2.401-12

Jus M.C2.401-12

2

46

52001681

Vijak

Bolt

Vis

Tornillo 2

47

52001816

Traka ukrasna

Decorative band

Decoration

Decoracion

1

48

600766 Vijak

Bolt

Vis

IS2103-M8x22

IS2103-M8x22

IS2103-M8x22

Tornillo IS2103-M8x22 .. 2

49

601961 Podložka IS 2272-8 Washer IS 2272-8 Rondelle IS 2272-8 Arandela IS 2272-8 4 50 602102 Podložka opružna Washer, flexible

IS 2281-8

IS2281-8

RondelleIS2281-8

ArandelaIS2281-8

6

51

602425 Podložka IS 2272-12

Washer IS 2272-12

Rondelle IS 2 2 7 2 - 8 ! . .

Arandela IS 2272-12_____2

IS2281-10

IS2281-10

IS2281-10

Arandela IS 2281-10———2

55

600429 Navrtka IS2171-M10

Nut IS2171-M10

Ecrou IS2171-M10 TuercaIS2171-M10 2

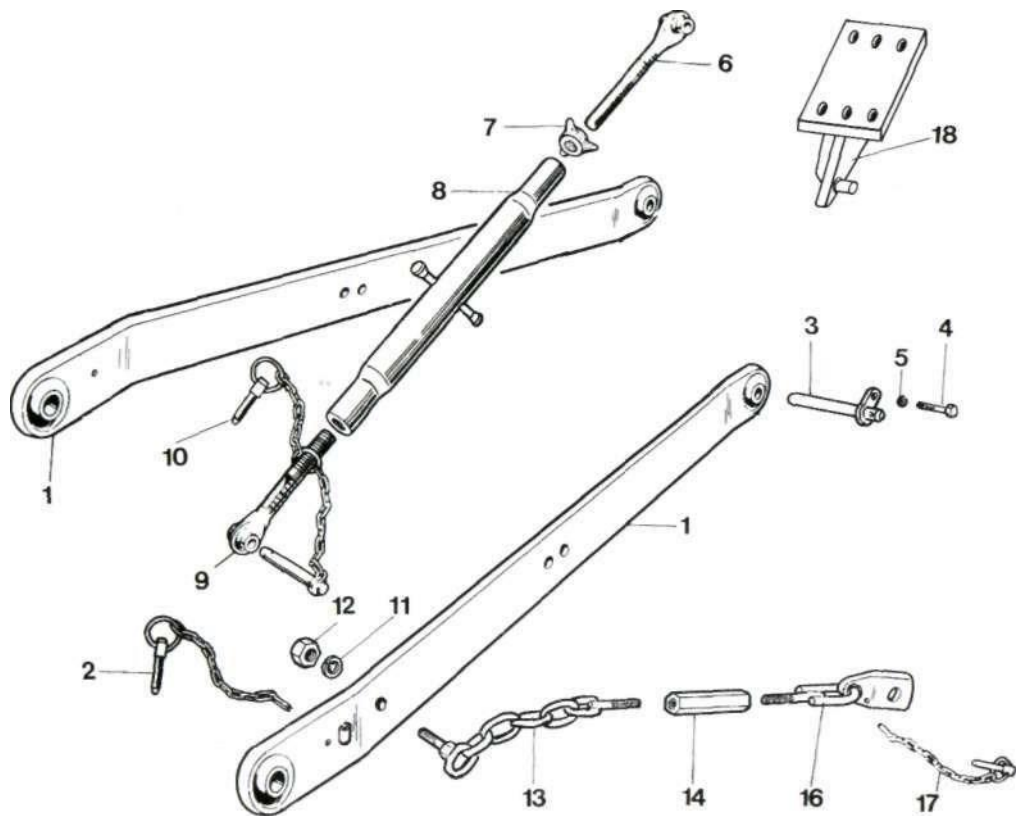
SUKA 41/1 - SEDIŠTE (52002388)

RGURE 41/1 - SEAT (52002388)

RGURE 41/1 - SIEGE (52002388)

RGURA 41/1 - ASIENTO (52002388)

SLIKA 42 - TRAKTORSKE POLLUGE
FIGURE 42 - TOP LINK AND LOWER LINKS
FIGURE 42 - BARRES DE TRACTEUR
FIGURA 42 - BARRAS DE TRACTOR



SLIKA 42 - TRAKTORSKE POLUGE
 FIGURE 42 - TOP LINK AND LOWER LINKS
 FIGURE 42 - BARRES DE TRACTEUR
 FIGURA 42 - BARRAS DE TRACTOR

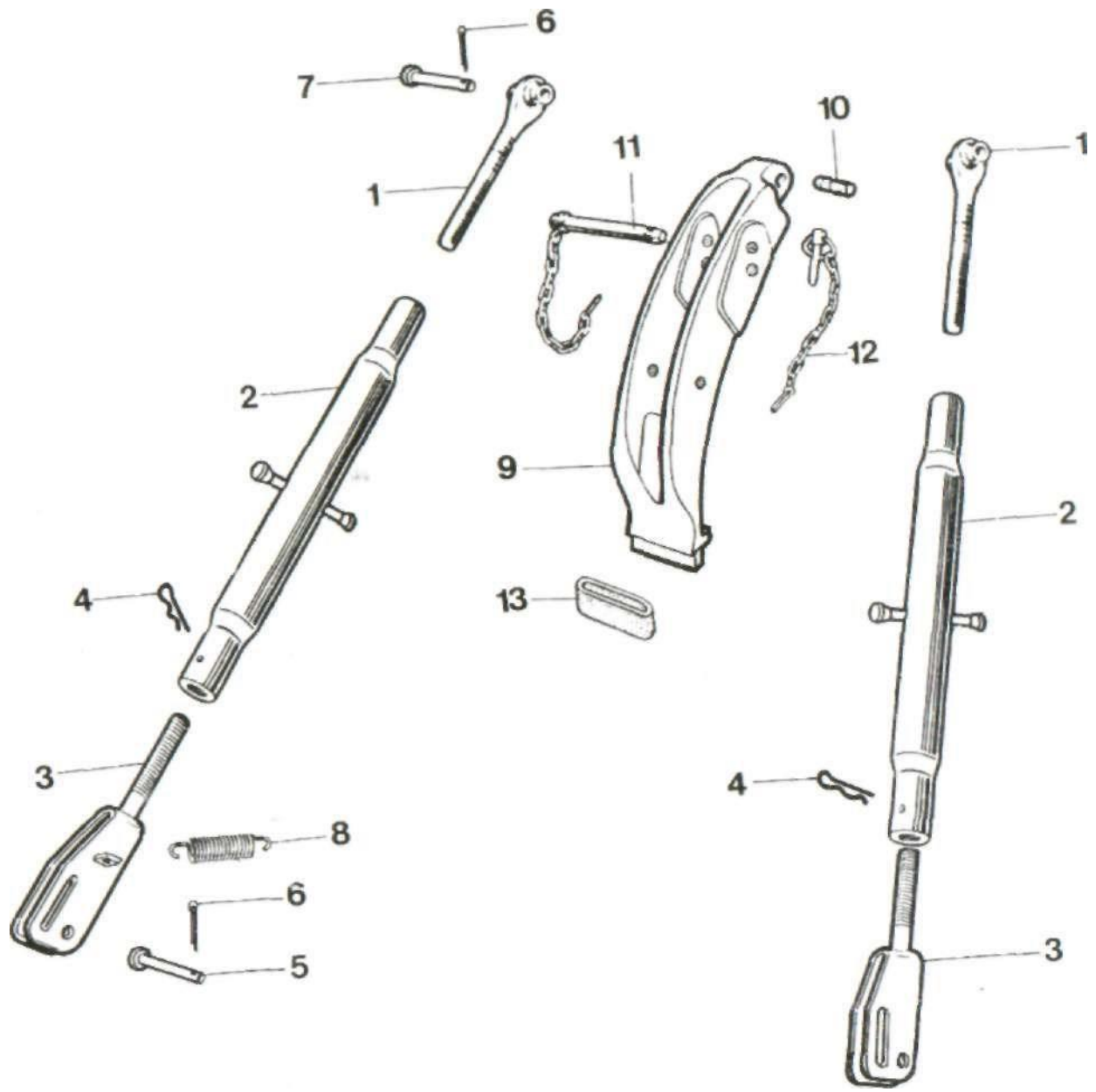
| Poz. broj | Broj dola | Naziv | Description | Designation | Descripdon | Kom. |
|-----------|---------------|-----------------------|-----------------|-------------------|------------------|------|
| | 52101120 | Poluga donja | Lower link | Barre-basse | Barra inferior | 2 |
| | 53202490 | Lanac sa klinom | | Chaîne a clavette | Cadena | 2 |
| | 52101430 | Osovinica | Pin | Axe | Pasador | 2 |
| | IS2103-M10x18 | Vijak | Bolt | Vis | Pemo | 2 |
| | IS 2281-10 | Podloška | Washer | Rondelle | Arandela | 2 |
| | (A) 57511100 | Poluga gornja - sklop | Top link - assy | Barre-haute ens | - ensamble | 1 |
| | 56011020 | Pesnica upornice | Ball end | Rotule | Externo de bola | 1 |
| | 56011101 | Zvezdasta navrtka | Nut | Ecrou etiole | Tuerca | 1 |
| | 57511030 | Cev upornice | Tube | Tube | Tubo | 1 |
| | 56011040 | Pesnica upornice | Ball end | Rotule | Extremo de bola | 1 |
| | 56011140 | Lanac, obuhvata | Chain, includes | Chaîne, comprend | Cadena, incluye: | 1 |
| | 61120012 | Osigurač | Circlip | Circlip | Asegurador | 1 |
| | 61120011 | | Key | Clavette | Clavija | 1 |
| | 55011150 | | Chain | Chaîne | Cadena | 1 |
| | 56011141 | Osovinica | Pin | Axe | Pasador | 1 |
| | IS 2281-20 | Podloška | Washer | Rondelle | Arandela | 2 |
| | IS2171-M20 | Navrtka | Nut | Ecrou | Tuerca | 2 |
| | 52101140 | Lanac | Chain | Chaîne | Cadena | 2 |
| | 64441502 | Zatezač | Tumbuckle | Tirant | Torniquete | 2 |
| | IS2173-M24 | Navrtka | Nut | Ecrou | Tuerca | 2 |
| | 52716020 | Vijak sa pločom | Bolt | Vis au plaque | Pemo con placa | 2 |
| | 53202490 | Lanac sa klinom | Chain | Chaîne a clavette | Cadena | 2 |
| | 52716031 | Nosač stabilizatora | | | | |
| | | - desni | Support, R.H | Support, D | Soporte, D | 1 |
| | 52716032 | Nosač stabilizatora | | | | |
| | | - levi | Support, LH | Support, G | Soporte, 1 | 1 |
| 1 | | | | | | |
| 2 | | | Chain | | | |
| 3 | | | 4 5 | | | |
| 6 7 | | | | | | |
| 8 | | | | | | |
| 9 10 | | | | | | |
| | | Klin | | | | |
| | | Lanac | | | | |
| 11 | | | | | | |
| 12 13 | | | | | | |
| 14 | | | | | | |

15 16
17 18

-

NAPOMENE: (A) Obuhvata pozicije 6 do 10
NOTES: includes items from No 6 to 10
NOTES: Comprend pos de 6 a 10 NOTAS: Incluye los renglones
6-10

SLIKA 43 - PODIZNE POLUGE
FIGURE 43 - LIFT RODS
FIGURE 43 - BARRRES DE RELEVAGE
FIGURA 43 - BARRAS DE NIVELACION



SLIKA 43 - PODIZNE POLUGE FIGURE 43 - LIFT RODS FIGURE 43 - BARRES DE RELEVAGE FIGURA 43 - BARRAS DE NIVELACION

| | | | | | | |
|------|--------------------|----------------------------------|---------------------------|-----------------------|----------------------|---|
| 1 | (A) 52101100 | Poluga podizna - sklop | Lift rod - assy | Barre - ens | ensamble | 2 |
| | 52731090 | Pesnica upornfca | Ball end | Rotule | Bola | 2 |
| | 52100890 | Cev | Tube | Tube | Tubo | 2 |
| | 52101350 | Viljuška | Fork | Fourchette | Horquilla | 2 |
| | 61340019 | Osigurač | Circlip | Circlip | Asegurador | 2 |
| | IS 2351-20x75x68,5 | Osovinica | Pin | Axe | Pasador | 2 |
| | IS 2291-5x30 | Rascepka | Cotter pin | Goupille | Chaveta | 4 |
| | IS 2351-20x115x105 | Osovinica | Pin | Axe | Pasador | 2 |
| | 52731012 | Opruga | Spring | Ressort | Resorte | 1 |
| | 56011171 | Nosač | Carrier | Support | Cargador | 1 |
| | 55011172 | Caura | Bush | Bague | Buje | 1 |
| | 56011470 | Lanac | Chain | Chaîne | Cadena | 1 |
| | 56011471 | Osovinica | Pin | Axe | Pasador | 1 |
| | 53001062 | Omča | Ring | Noeud | Lazo | 1 |
| | IS 2291-5x30 | Rascepka | Cotter pin | Goupille | Chaveta | 1 |
| | 53001230 | Lanac | Chain | Chaîne | Cadena | 1 |
| | 53202490 | Lanac | Chain | Chaîne | Cadena | 1 |
| | 61120011 | Klin | Key | Claverte | Clavija | 1 |
| | 61120012 | Osigurač | Circlip | Circlip | Asegurador | 1 |
| | IS 2291-5x30 | Rascepka | Cotter pin | Goupille | Chaveta | 1 |
| | 53202510 | Lanac | Chain | Chaîne | Cadena | 1 |
| | 56000053 | Odbojnik | Spacer | Bloc | Espaciador | 1 |
| Poz. | Broj dela | | Descripcion | Designation | Description | |
| broj | | | | | | |

Palanca elevadora -

2
3
4
5
6
7
8
9

10

11

12

13

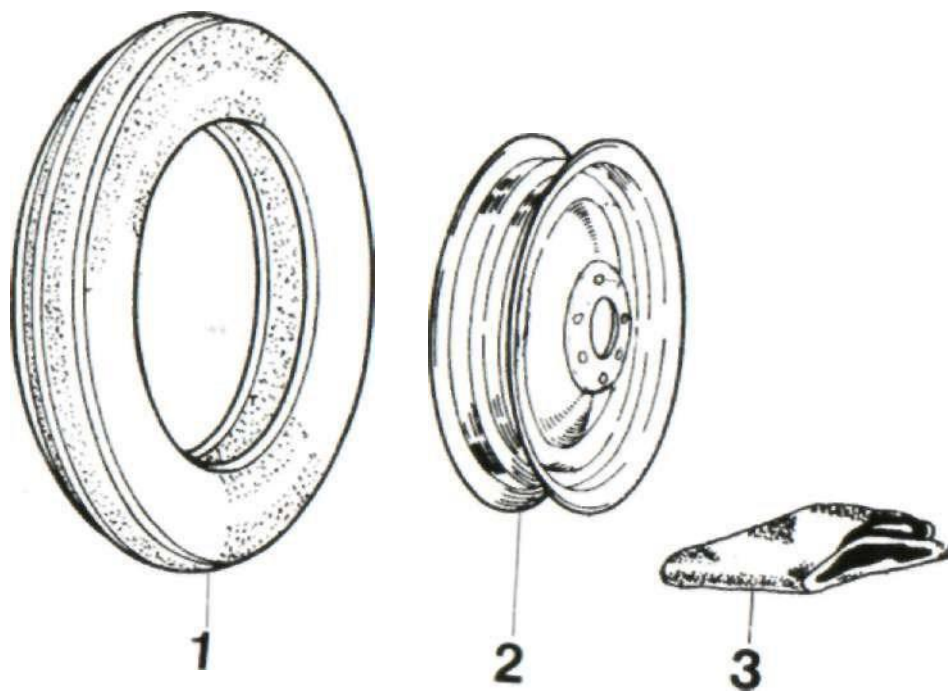
NAPOMENA : (A) Obuhvata pozicije 1 do 4

NOTES : Includes items form No, 1

NOTES : Comprend pos. 1 a 4

NOTAS : Incluye los renglones 1-4

SLIKA 44 - TOČAK PREDNJI 7,50-16
FIGURE 44 - WHEEL - FRONT 7,50-16
FIGURE 44 - ROUE AVANT 7.50-16
FIGURA 44 - RUEDA DELANTERA 7,50-16



Poz.

Broj dela

Naziv

Description

Designation

Descripdon

Kom.

broj

57512100

Točak prednji

Wheel-front

Roue avant

Rueda delantera

7,50 - 16 kpt

7.50 - 16 kpt

7,50 - 16, ass:

7,50 - 16, conj:

2

| | | | | | | | | |
|---|----------|--------------|---------------------|---------------------|--------|-------------------------|-------------------------|------------------------|
| 1 | 57512101 | Spoljna guma | Tyre | Pneu Cubierta | 2..... | | | Llante 5,5 F(e) -16... |
|---|----------|--------------|---------------------|---------------------|--------|-------------------------|-------------------------|------------------------|

2

57512110

Naplatak 5.5F(e) - 1 6 . . . Rim 5,5F(e) - 16 Jante 5,5 F(e) - 16 2

3

68213520

Unutrašnja guma

7,50 - 16

Tube 7,50 - 16

Chambre a air

Camara

2

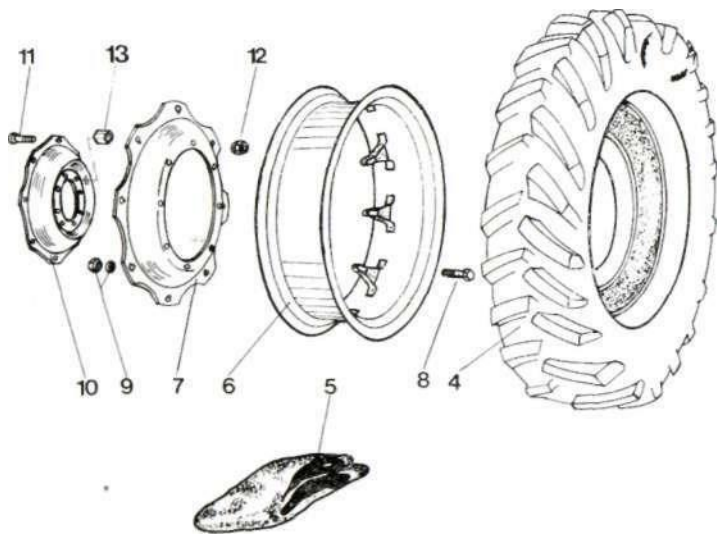
SLIKA 44 - TOČAK PREDNJI 7,50-16 FIGURE

44 - WHEEL - FRONT 7,50-16

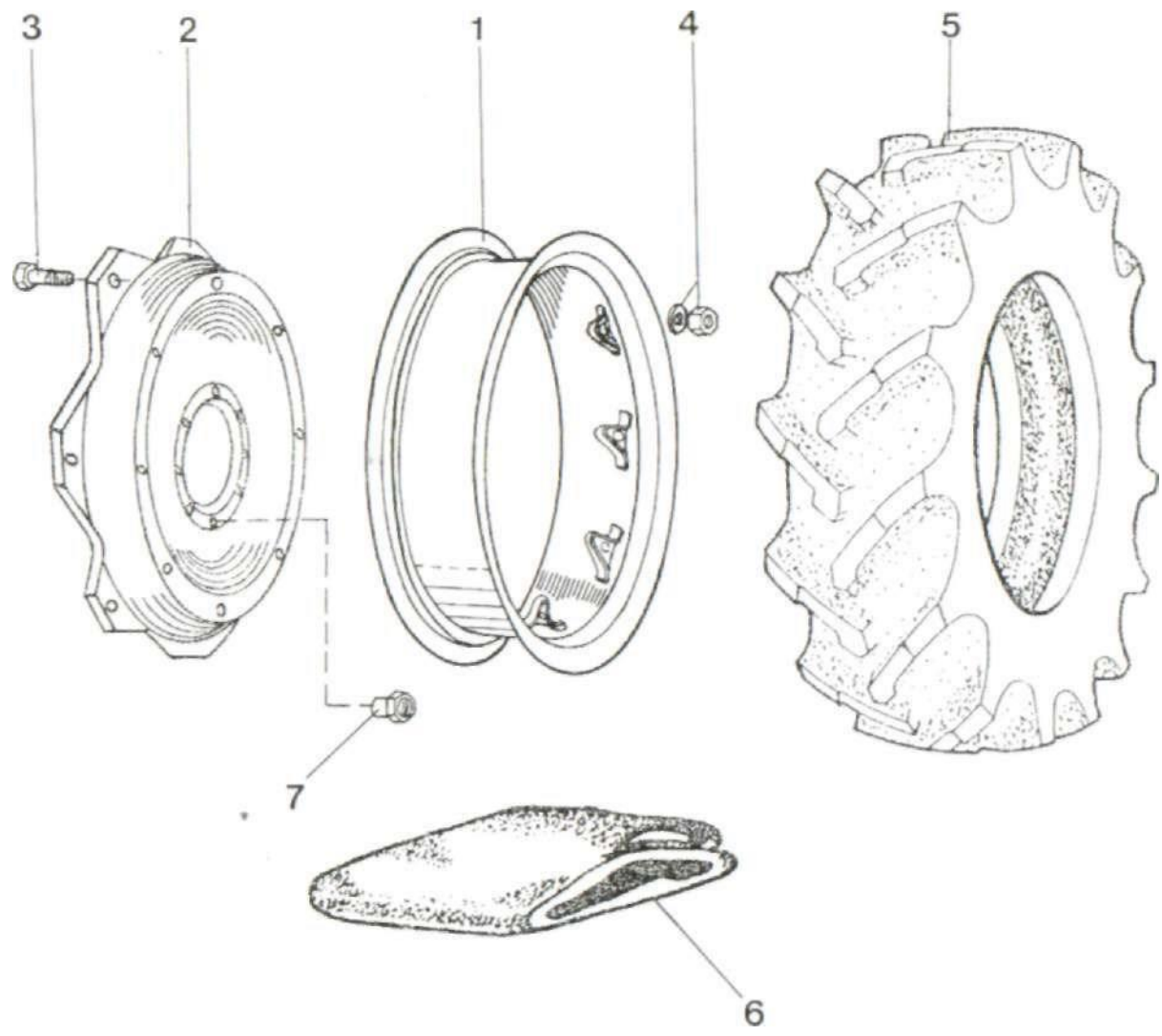
FIGURE 44 - ROUE AVANT 7,50-16

FIGURA 44 - RUEDA DELANTERA 7,50-16

SLIKA 45-TOČAK ZADNJI 13,6/12-36* FIGURE
45 - REAR WHEEL 13.6/12-36*
FIGURE 45 - ROUE ARRIERE 13,6/12-36*
FIGURA 45 - RUEDA TRASERA 13.6/12-36*



SLIKA 46-TOČAK ZADNJI 13,6/12-36" FIGURE 46
- REAR WHEEL 13,6/12-36"
FIGURE 46 - ROUE ARRIERE 13,6/12-36"
FIGURA 46 - RUEDA TRASERA 13,6/12-36*



| Poz. broj | Broj dela | Description | Kom. | Quantity | Notes |
|-----------|-----------|------------------------------------|------------------------------|----------|------------------------|
| | | Točak levi-sklop 13,6-36 | | | |
| | | Naplatak W10-36 | | 1 | |
| | 51930322 | Disk liveni | | | |
| | | Vijak Navrtka | | | Roue, G, ass. |
| | 51930323 | Podloška Guma spoljna 13,6-36 | | | |
| | | Guma unutrašnja 13,6-36 | | | |
| | | Navrtka | | 1 | |
| 1 | 51930233 | Description | JanteW10-36 | Uanta | |
| 2 | 51930213 | | W10-36 | 2 | Rueda izquierda, conj. |
| | 51930216 | | Disque gauche | | |
| | 53112513 | Wheel, R.H. - Assy. 13,6-36 | | | |
| | 55501027 | Wheel, LH. - Assy. 13,6-36 | | 2 | |
| 5 | 57512501 | Rim W10-36 | | | |
| | 57512530 | Cast disc | | 16 | |
| | 56012501 | Bolt | | | |
| | | Nut | | | Cubierta 13,6-36 |
| | | Washer | | 16 | Camara 13,6-36 |
| | | Tyre 13,6-36 Tube 13,6-36 | | | Tuerca |
| | | Nut | | | |
| | | Designation | Arandela | 16 | |
| | | | Pneu 13,6-36 2 | | |
| | | Descripcion | Chambre a air 13,6-36. . . 2 | | |
| | | | Ecrou | 16 | |
| | | Roue, D. ass. Rueda derecha, conj. | | | |

Isključuje sliku 45
Excludes Fig. 45 Ne comprend
pas figure 45
Excluye figura 45

Naziv

Točak desni-
sklop 13,6-36

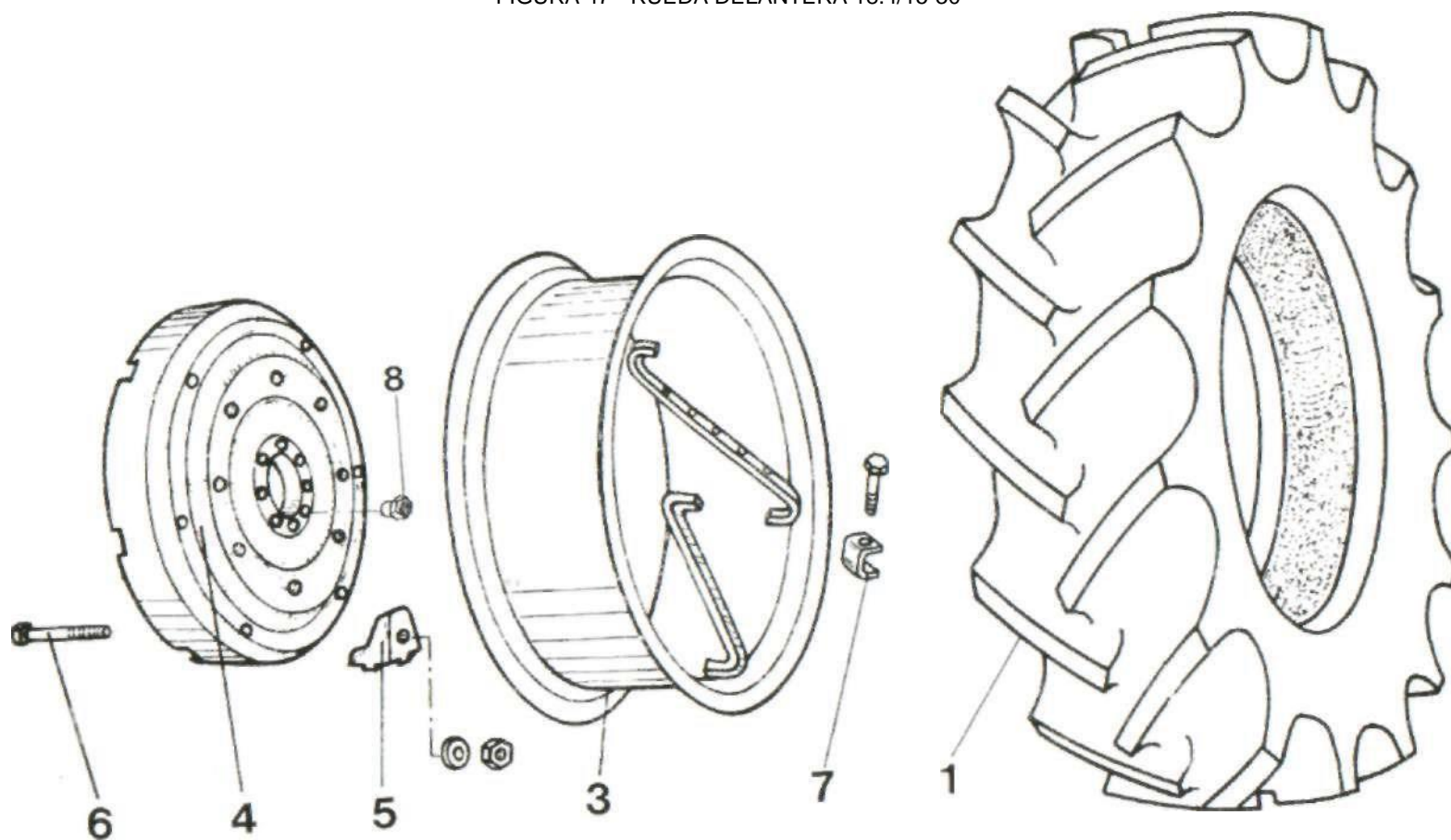
SLIKA 46-TOČAK ZADNJI 13,6/12-36**

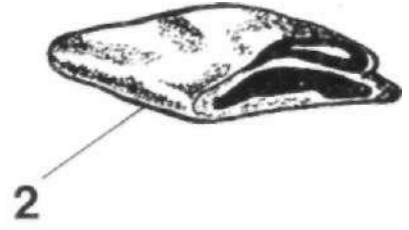
FIGURE 46 - REAR WHEEL 13,6/12-36**

FIGURE 46 - ROUE ARRIERE 13,6/12-36**

FIGURA 46 - RUEDA TRASERA 13,6/12-36**

SLIKA 47 - TOČAK ZADNJI 18.4/15-30 FIGURE
47 - REAR WHEEL 18,4/15-30
FIGURE 47 - ROUE AVANT 18.4/15-30
FIGURA 47 - RUEDA DELANTERA 18.4/15-30





| Poz. | Description | Designation | Descripcion | Kom. broj | Broj dela | Naziv |
|------|----------------|--------------------------|-------------|-----------|--|-----------------------------|
| | (A) 57512900 | Komplet zadnji točak | | | | |
| | | | | | sa gumom 18,4-30 Rueda trasera 18,4-30 . . | 2 |
| 1 | 57512901 | Spoljna guma 18,4-30 . . | | | | |
| 2 | 57512910 | Unutrašnja guma 18,4-30 | | | | |
| 3 | 57512920 | Komplet naplatak | | | | |
| | | | | | | zadnjeg točka 14-30 . . . 2 |
| 4 | 57512902 Disco | 2 | | | | |

NAPOMENE:

NOTES:

NOTES: NOTAS:

(A) Obuhvata pozicije od 1 do 8
Includes items from No 1 to 8
Comprend les postes 1 a 8

Goma exterior 18,4-30 2
 Camara 18,4-30 2

Llanta 14-30

Incluye las posiciones 1 hasta 8 5 57512903 Clamp Abrazdera 12
 6 57512905 Bolt Perno 12

IS 2272-17 Washer Arandela

| | | | | | | | |
|---|----------------|---------------------|-------|--------------------|-------|-------------------|---------------------|
| | | 12 | | | | | |
| | | 53112513 Nut | | Rear wheel 18,4-30 | | Roue arr. 18,4-30 | |
| 7 | 57512904 Slide | Sector 2 | | Yre 18,4-30 | | Roue ext. 18,4-30 | |
| | | IS 2101-M10x45 Bolt | | Tube 18,4-30 | | Pneu int. 18,4-30 | |
| 8 | 56012501 Nut | Tuerca 16 | | | | | Tuerca 12 |
| | | Disk liveni | | Rim 14-30 set | | Jonte 14-30 | |
| | | Žabica | | Cast Disc | | Disque | |
| | | Vijak | | | | Griffe | |
| | | Podloška | | | | Boulon | |
| | | Navrtka | | | | Rondelle | |
| | | Graničnik | | | | Ecrou | |
| | | Vijak | | | | Arret | |
| | | Navrtka | | | | Boulon | |
| | | | | | | Ecrou | |

SLIKA 47 - TOČAK ZADNJI 18,4/15-

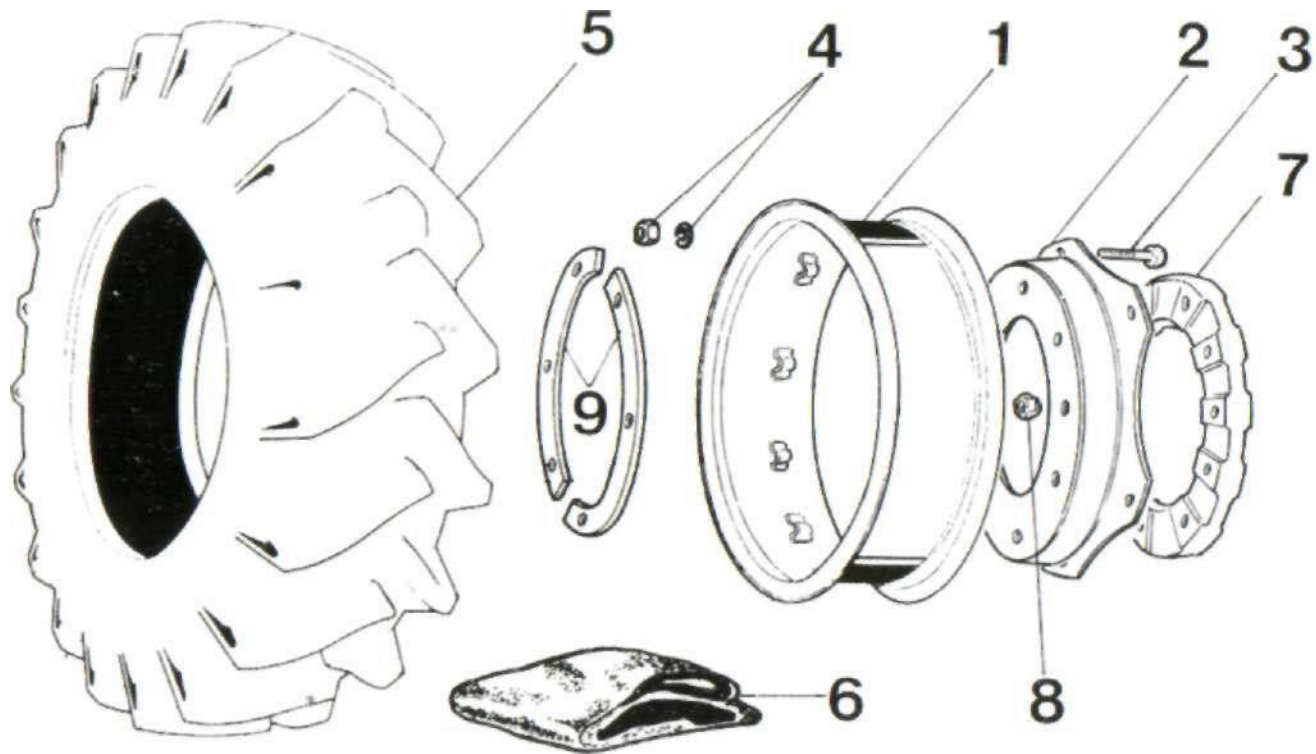
30

FIGURE 47 - REAR WHEEL 18,4/15-30

FIGURE 47 - ROUE ARRIERE 18,4/15-30

FIGURA 47 - RUEDA TRASERA 18,4/15-30

SLIKA 48 - TOČAK PREDNJI 9,5/9-24 (DV)
FIGURE 48 - FRONT WHEEL 9,5/9-24 (DV)
FIGURE 48 - ROUE AVANT 9,5/9-24 (DV)
FIGURA 48 - RUEDA DELANTERA 9,5/9-24 (DV)



SLIKA 48 - TOČAK PREDNJI 9,5/9-24 (DV)
 FIGURE 48 - FRONT WHEEL 9,5/9-24 (DV)
 FIGURE 48 - ROUE AVANT 9,5/9-24 (DV)
 FIGURA 48 - RUEDA DELANTERA 9,5/9-24 (DV)

| Poz. broj | Broj dela | Naziv | Description |
|-----------|--------------|--------------------------------|---|
| | | Točak desni 9,5/9-24 | |
| | | Točak levi 9,5/9-24 | |
| | | Naplatak W8-24 sa ušicama Disk | |
| | | Vijak Navrtka | |
| | (A) 51930630 | Podloška | |
| | (A) 51930640 | Spoljna guma 9,5/9-24 | Unutrašnja guma 9,5/9-24. |
| 1 | 51930660 2 | Prsten | |
| | 51930072 3 | Navrtka | |
| | 51930149 | Prsten | |
| 4 | 53112513 | Prsten | |
| | IS 2272-17 | Descripcion | Kom. |
| 5 | 57537901 | | |
| | 6 57537920 | | |
| 7 | 51930069 | Rueda trasera 9,5/9-24 | 1 Rueda izquierda 9,5/9-24 . 1 Llanta W8-24 con |
| 8 | 55512501 | ojales.. 2 | |
| 9 | (B)519301 | | |
| | 11 | | |
| | (B)519301 | | |
| | 52 | | |

| | |
|---------------------|---------------------------|
| Wheel R.H. 9,5/9-24 | Roue dr. 9,5/9-24 |
| Wheel L.H. 9,5/9-24 | Roue-g. 9,5/9-24 |
| Rim W8-24 with eyes | Jante W8-24 avec douilles |
| | Deque |
| | Boulon |
| | Ecrou |
| Washer | Rondelle |
| Tyre 9,5/9-24 | Pneu-ext. 9,5/9-24 |
| Tube 9,5/9-24 | Pneu-int. 9,5/9-24 |
| | Anneau |
| | Ecrou |
| Ring | Bague |
| Ring | Bague |
| | Disco 2 |
| | Perno 12 |
| | Tuerca 12 |
| | Arandela 12 |
| | Goma exterior 9,5/9-24 2 |
| | Camara 9,5/9-24 2 |
| | Anillo 2 |
| | Tuerca 16 |
| | Anillo 4 |
| | Anillo 4 |

Disc
Bolt
Nut

Rin
g
Nut

NAPOMENE:

(A) Obuhvata pozicije od 1 do 9

(B) Alternativno

NOTES:

Includes items from No. 1 to 9

Alternative

NOTES:

Comprend pos. 1-« 9

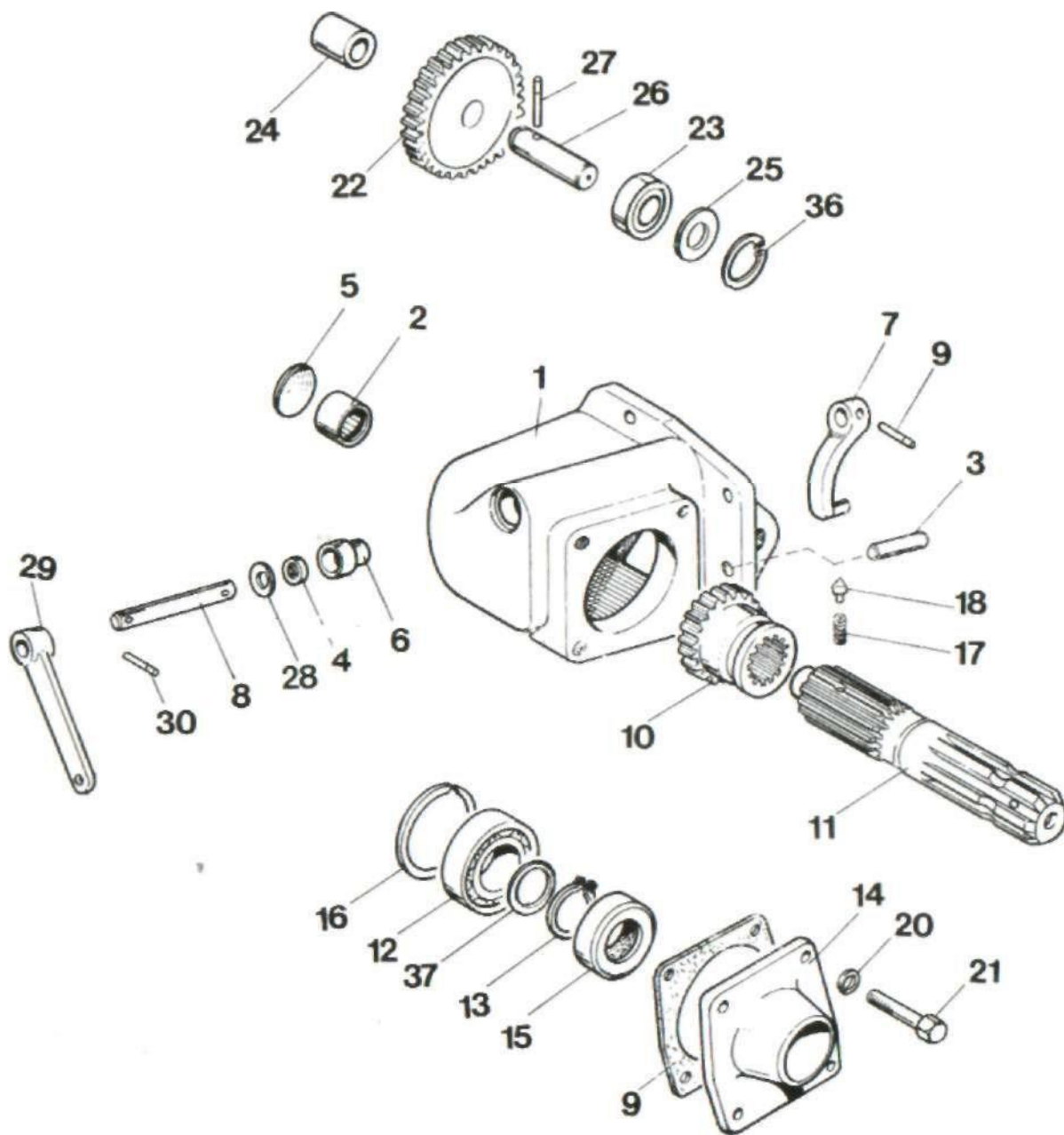
Alternate

NOTAS:

Incluye los renglones,1-9

Alternativamente

SLIKA 49 - BOČNO, PRIKUUČNO VRATILO (DV)
FIGURE 49 - SIDE P.T.O. SHAFT (DV)
FIGURE 49 - PRISE DE FORCE LATERALE (DV)
RGURA 49 - TOMA DE POTENCIA LATERAL (DV)



SUKA 49 - BOČNO, PRIKUUČNO VRATILO (DV)
RGURE 49 - SIDE P.T.O. SHAFT (DV) RGURE 49 -
PRISE DE FORCE LATERALE (DV) RGURA 49 - TOMA
DE POTENCIA LATERAL (DV)

| Poz. broj | Broj dela | Naziv | Description | Designation | Description | Kom. |
|-----------|-----------|---------------------------|----------------------|-----------------------|--------------------|------|
| (A) | 52703070 | Bočno priključno vratilo | Side P.T.O. shaft | Arbre P.F. late- | Toma de fuerza | |
| | | -sklop | - assy | ral - ens | lateral | 1 |
| | | Kućište vratila-sklop | Shaft housing - assy | Boitier - ens | Caja | 1 |
| | | Kućište vratila | Shaft housing | Boitier d'arbre | Caja | 1 |
| | | Ležaj igličasti | Needle bearing | Roulement a aiguilles | Cojinete de aguja | 1 |
| | | Čivija za vođenje kućišta | Pivot | Goupille | Pivote | 2 |
| | | Zaptivač - simening | Seal | Bague-simering | Sello | 1 |
| | | Limeni čep | Plug | Bouchon | Tapčn | 1 |
| | | Čaura | Bush | Bague | Buje | 1 |
| | | Zahvatni prst | Fork | Levier | Horquilla | 1 |
| | | Osovinica | Pin | Axe | Pasador | 1 |
| | | Elastična čivija | Pivot - flexible | Goupille | Pivote elastico | 1 |
| | | Gonjeni zupčanik | Gear | Pignon | Engranaje | 1 |
| | | Vratilo | Shaft | Arbre | Eje | 1 |
| | | Kuglični ležaj | Ball bearing | Roulement | Cojinete de bola | 1 |
| | | Segerov prsten - spoljni | Snap ring - outer | Bague - seger | Anillo externo | 1 |
| | | Poklopac kućišta | Cover | Couvercle | Cubierta | 1 |
| | | Zaptivač - simering | Seal | Bague - simering | Sello | 1 |
| | | Segerov prsten | Snap ring - inner | Bague - seger | Anillo interior | 1 |
| | | - unutrašnji | | | | |
| | | Oprugica šiljka | Spring | Ressort | Resorte | 1 |
| | | Opruga | Spring | Ressort | Resorte | 1 |
| | | Šiljak | Plunger | Pointe f ^ | Embolo | 2 |
| | | Zaptivka | Gasket | Joint . . .™ | Junta | 1 |
| | | Opružna podloška | Spring washer | Rondelle ressort | Arandela | 4 |
| | | Zaptivka | Screw | Boulon | Perno | 4 |
| | | Međuzupčanik | Middle gear | Entre - pignon | Engranaje | 1 |
| | | Ležaj cilindrično | Bearing | Roulement | Cojinete | 1 |
| | | - valjkasti | | | | |
| | | Odstožnik veći | Spacer - big | Entretoise | Espaciador | 1 |
| | | Odstožnik | Spacer | Entretoise | Espaciador | 1 |
| | | Osovinica | Pin | Axe | Pasador | 1 |
| | | Čivija elastična | Pivot - flexible | Goupille | Pivote | 1 |
| | | Čivija | Pivot | Goupille | Pivote | 1 |
| | | Podloška | Washer | Rondelle | Arandela | 1 |
| | | Ručica-sklop | Rod-assy | Manivelle - ens | Manigueta-ensamble | 1 |
| | | Elastična čivija | Pivot, flexible | Goupille | Pivote | 1 |
| | | Segerov prsten-unutr | Snap ring-inner | Joint torigue | Aro sello | 1 |
| (B) | 56053010 | | | | | |
| 1 | 56053011 | | | | | |
| 2 | 56053070 | | | | | |
| 3 | 56053012 | | | | | |
| 4 | 53201150 | | | | | |

5 IS 2285-50
 6 56053013
 7 56053051
 8 57553052
 9 JUS M.C2.230-6x24
 10 56053001 11 56053031
 12 57537470 13 56001922
 14 56053041
 15 56001950 16 56001925

 17 51100931
 53201132
 18 51101229 19 56053006
 20 IS 2281-10
 21 IS2101-M10X20
 22 52703001
 23 52703040

 24 52703003 25 52703004
 26 52703005
 27 (C) JUS M.C2.2306x24
 (C) 53201135 28 IS 2272-17
 29 52703050
 30 JUS M.C2.230-6x28
 36 JUS M.C2.400-62

NAPOMENE:

NOTES: (A) Obuhvata pozicije 1-30; 36; 37;
 Includes items No 1-30; 36; 37
 NOTES: Comprend positions 1 -30; 36; 37
 NOTAS: Incluye las posiciones No 1-30. 36. 37

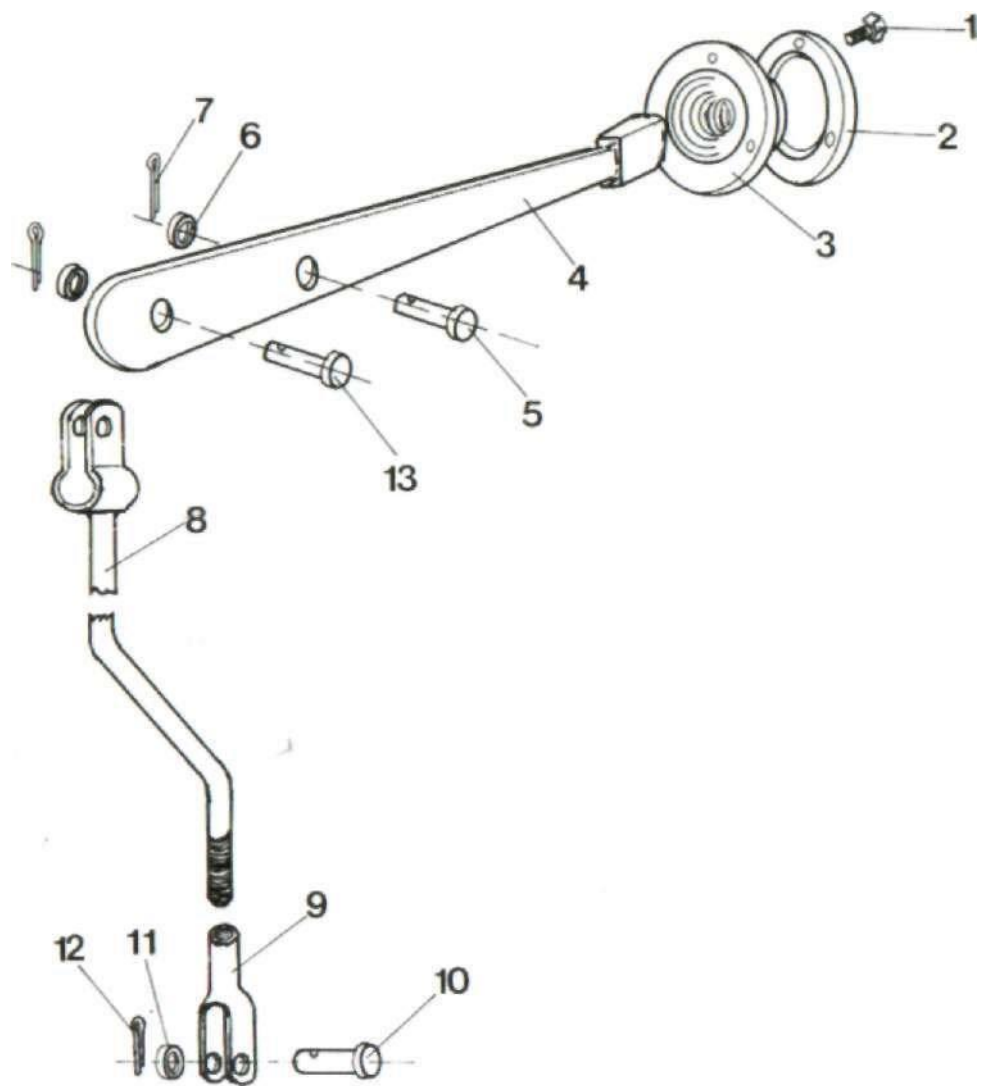
(C) Alternativno

Alternative
 Alternatif
 Alternativamente

(B) Obuhvata pozicije 1-6

Includes items No. 1-6
 Comprend positions 1-6
 Incluye las posicibnes No "1-6.

SLIKA 50 - KOMANDA PREDNJE VUČE
FIGURE 50 - FOUR WHEEL DRIVE CONTROL
FIGURE 50 - COMMANDE DE TRACTION AVANT
FIGURA 50 - PALANCA DE TRACCION DELANTERA



Poz.
broj

Broj del a

SLIKA 50 - KOMANDA PREDNJE VUČE
FIGURE 50 -
FOUR WHEEL DRIVE CONTROL
FIGURE 50 -
COMMANDE DE TRACTION AVANT
FIGURA 50 - PALANCA DE TRACCION DELANTERA

Naziv

Description

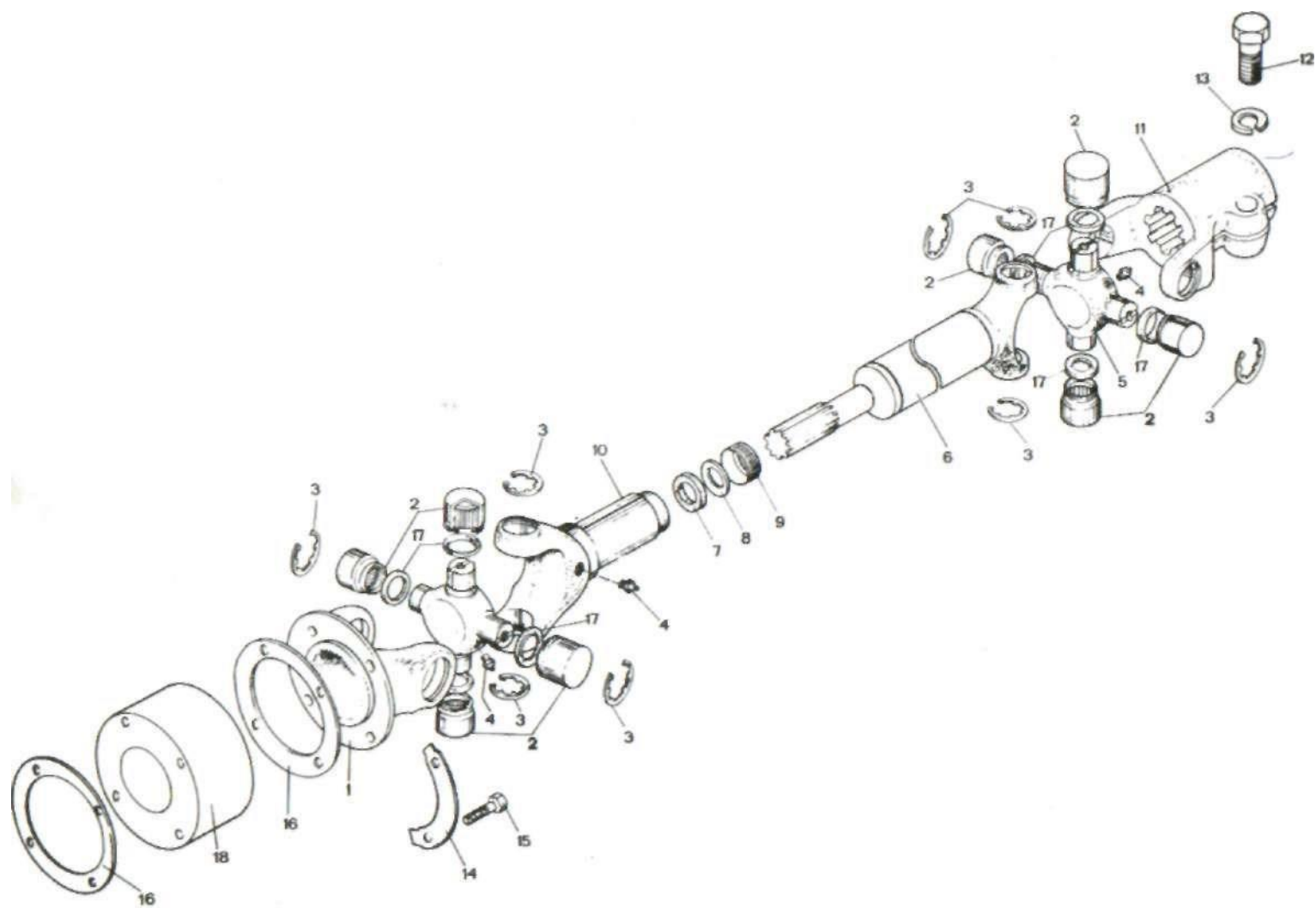
Designation

Descripcion

Kom.

| | | | | | | |
|----|-----------------|--------------|------------|------------------------------|---------------|------------------|
| 1 | IS 2167-M4,2X13 | | Bolt | | Zavrtanj | Tornillo |
| | 3 | | Holder | | | |
| 2 | 51501675 | Držač | Dust guard | Sosten 1 | | |
| 3 | 51501674 | Prahobran | Lever | Protector 1 4 51501668 | Ručica | Palanca 1 |
| 5 | IS 2351-8x30x27 | Osovinica | Pin | Perno 1 6 IS 2272-8 | Podloška | Arandela 2 |
| 7 | IS 2291-2x20 | Rascepka 2 8 | Washer | 51501669 Zatega 1 9 53305481 | Vijak | Tensor doble 2 |
| 10 | 53205406 | | Cotter pin | Osovinica | Perno 1 | Tensor roscado 1 |
| 11 | IS 2272-10 | Podloška | Turnbuckle | Arandela 1 12 IS 2291-3x20 | Rascepka 1 | Herquilla 1 |
| 13 | IS 2351-8x25x22 | | Fork | | Osovinica | Perno 1 |
| | 1 | | Pin | | Pasador doble | 1 |
| | | | Washer | | | |
| | | | Cotter pin | | | |
| | | | Pin | | | |

SLIKA 51 - KARDANSKO VRATILO (DV)
FIGURE 51 - UNIVERSAL JOINT SHAFT (DV)
FIGURE 51 - ARBRE AVEC CARDAN (DV)
FIGURA 51 - EJE DE CARDAN (DV)

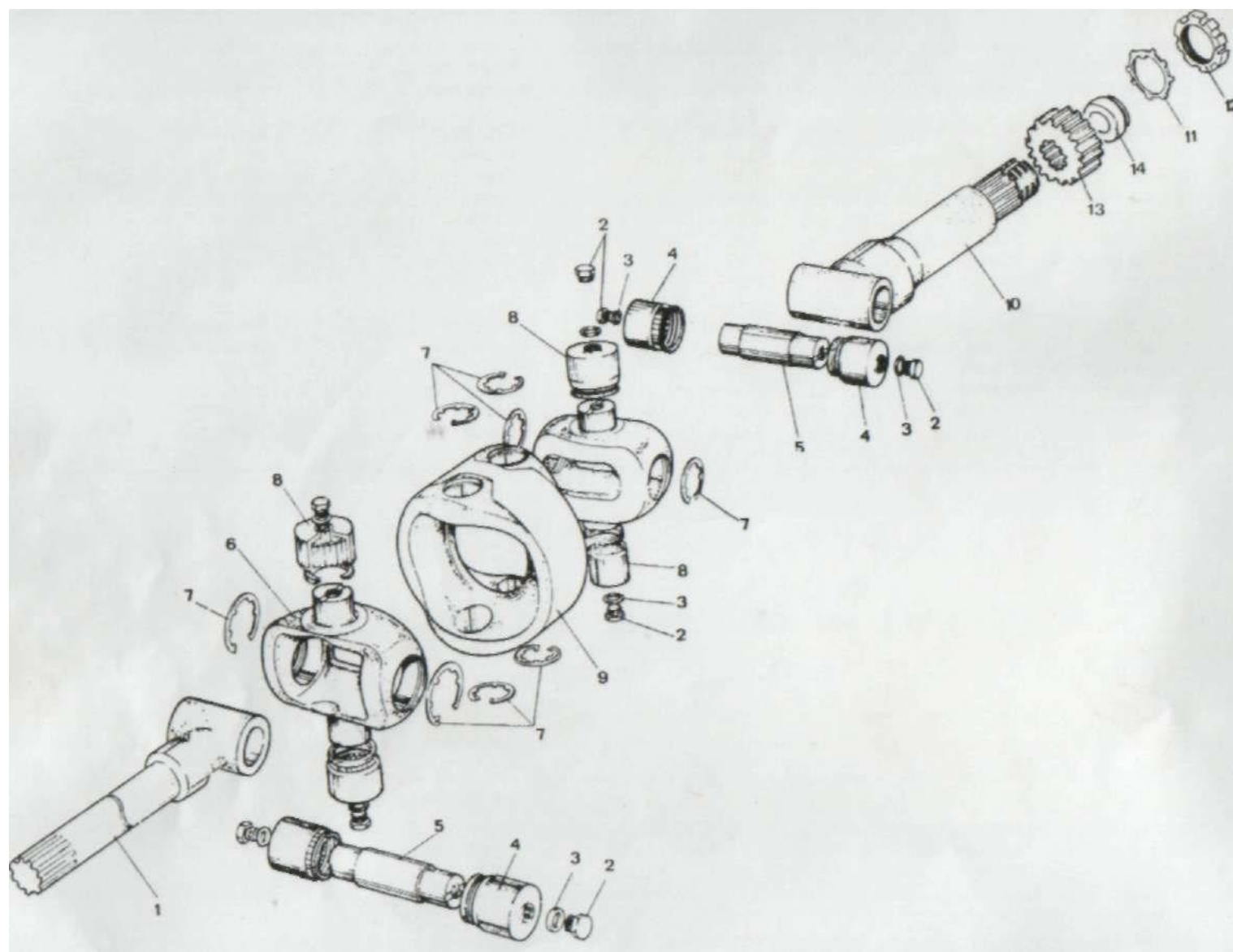


SLIKA 51 - KARDANSKO VRATILO (DV)
 FIGURE 51 - UNIVERSAL JOINT SHAFT (DV)
 FIGURE 51 - ARBRE AVEC CARDAN (DV)
 FIGURA 51 - EJE DE CARDAN (DV)

Poz. Broj (Ma Naziv Description Designation Descripcion Kom. broj

| | | | | | | |
|----|-----------------------|-----------------|-------------|---------------|------------|----|
| | 57537010 | Kardan | | Cardan | Cardan | .1 |
| | Universal joint shaft | Viljuška | | Fourchette | Horquilla | .8 |
| | | Ležaj-sklop | | Roulement | Cojinete | .8 |
| 1 | SK-105-001-001 | Osigurač | Ring-snap | Circlip | Aro reten | .8 |
| | Fork | Mazalica | | Graisneur | Engrasador | .3 |
| 2 | SK-105-001-007 | Telo krsta | | Croisillon | Arana | .2 |
| | Bearing | | | Tube | Tube | .1 |
| 3 | SK-105-001-010 | Zaptivka | | Joint | Junta | .1 |
| | | Podmetač | | Tampon | Tapon | .1 |
| 4 | DIN71412A6 | Zaštitna kapa | | Capuchon | Defensa | .1 |
| | Greaser | Viljuška | | Fourchette | Horquilla | .1 |
| 5 | SK-105-001-003 | Viljuška | | Fourchette | Horquilla | .1 |
| | Cross | Zavrtna | | vis | Tornillo | .1 |
| 6 | 256001 | Podloška | | Rondelle | Arandela | .1 |
| | Cev | Limeni osigurač | | Frein de vis | Arandela | .2 |
| | Tube | Zavrtna | | Vis | Tornilo | .4 |
| 7 | SK-105-001-014 | Zaptivka | | Joint | Junta | .2 |
| | Gasket | Zaptivka | | Joint | Junta | .8 |
| 8 | SK-105-001-015 | Odstojnik | | Bague distant | Espaciador | .1 |
| | Plate | | | | | |
| 9 | SK-105-001-016 | Cap | | | | |
| 10 | SK-105-001-011 | Fork | | | | |
| 11 | 256003 | Fork | | | | |
| 12 | M12X45DIN931 | Screw | | | | |
| 13 | A12DIN127 | Washer | 14 57537011 | Washer | | |
| 15 | IS 2106-M | 10x1x75 | Screw | | | |
| 16 | 57537511 | Gasket | | | | |
| 17 | SK-105-001-002 | Seal | | | | |
| 18 | 51100278 | Spacer | | | | |

SLIKA 52 - KARDANSKA POLUOSOVINA (DV)
FIGURE 52 - UNIVERSAL JOINT AXLE (DV)
FIGURE 52 - DEMI-AXE (DV)
FIGURA 52 - SEMI-EJE CARDAN (DV)



1

57537282

Poluosovina kardana desna. Axle R.H

57537272

Polu osovina kardana leva ... Axle LH

| | | |
|---|---------------|-----------------|
| 2 | 1000008002047 | Vijak Screw |
| 3 | 1000008505000 | Podložka Washer |

4 6369030600060 Ležaj sa simeringom Bearing

5

236903180000 Osovinica

Pin

7 136903670000 Segerov prsten

8 6369030600020 Ležaj sa simeringom

| | | |
|----|---------------|-----------------------------------|
| 9 | 2369039700000 | Telo zgloba |
| 10 | 51100265 | Poluosovina kardan, zgloba . Axle |

12

57537306

Navrtka Nut

13

51100263

Zupčanik Gear

Poz. broj Broj dela

Naziv

Description

Designation

Description

Kom.

| | | | |
|-----------|----------------------|-----------------|----|
| | Demi axe D | Semi-eje LD | 1 |
| | Demi axe G | Semi-eje LI | 1 |
| | Vis | Tomillo | 16 |
| | Rondelle | Arandela | 16 |
| | Roulement avec joint | Cojinete-sello | 8 |
| | Axe | Pasador | 4 |
| | Corps | Arana | 4 |
| Ring-snap | Circlip | Aro reten | 16 |
| Bearing | Roulement avec joint | Cojinete-sello | 8 |
| Body | Corps | Caja | 2 |
| | Demi-arbre | Semi eje cardan | 2 |
| Tabwasher | Frein d'ecrou | Arandela | 2 |
| | Ecrou | Tomillo | 2 |
| | Pignon | Engrenaje | 2 |
| | Rondelle | Espaciador | 2 |

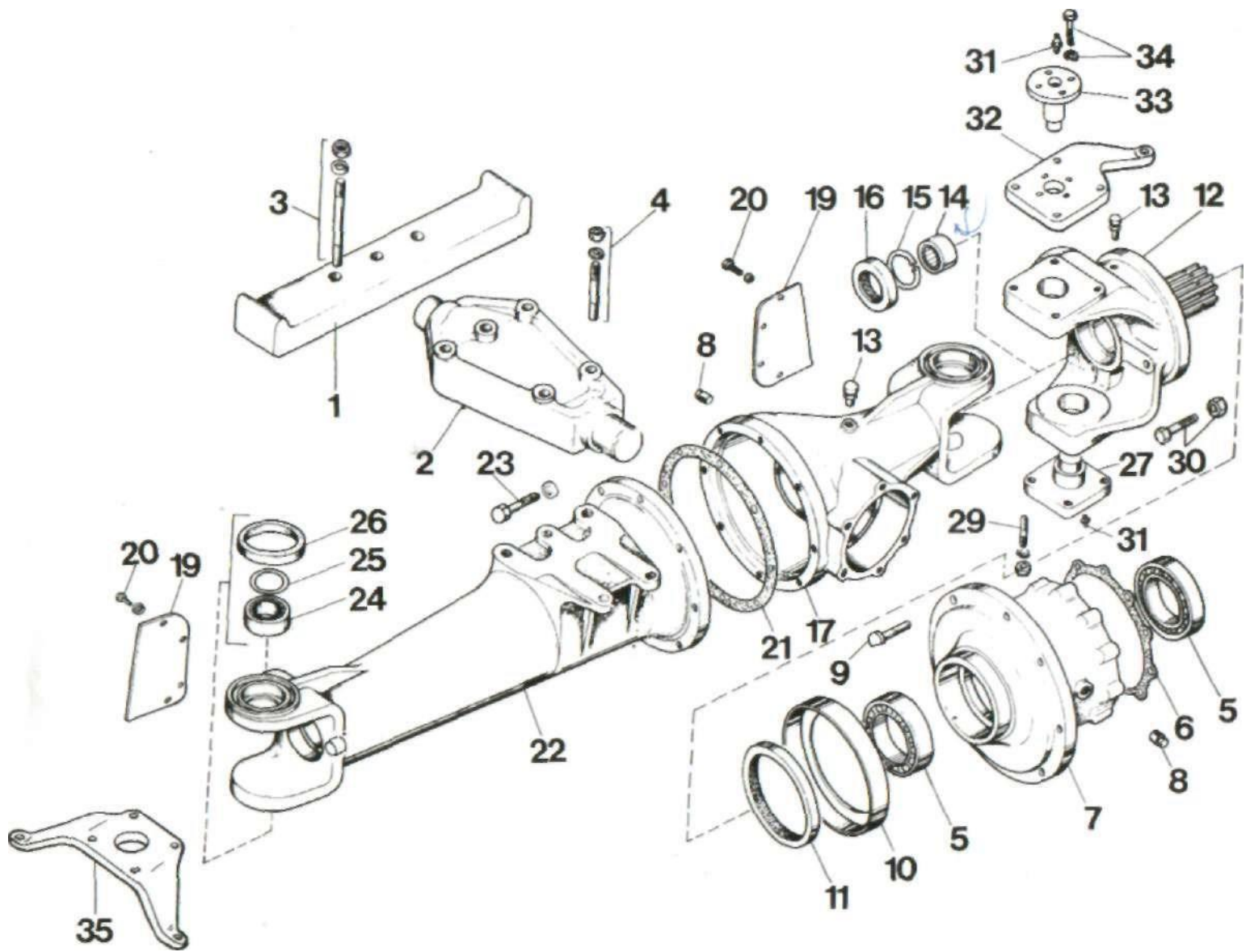
SLIKA 52 - KARDANSKA POLUOSOVINA (DV)

FIGURE 52 - UNIVERSAL JOINT AXLE (DV)

RGURE 52 - DEMI-AXE (DV)

FIGURA 52 - SEMI-EJE CARDAN (DV)

SLIKA 53 - KUĆIŠTA PREDNJEG MOSTA (DV)
FIGURE 53 - FRONT AXLE HOUSINGS (DV)
FIGURE 53 - BOITIERS DE PONT AVANT (DV)
FIGURA 53 - CAJAS (DV)



| | | | | | |
|-----------------------|---|--------------------------|-----------------------|-------------------------|-------------|
| de roue | 2 | Plaque de prot Boulon | 2 Boulon | 5 —0,4 mm 5 -0,55 mm | |
| Souffle Respirador | 3 | erno | P Perno 12 | Joint-gomme | Joint-gomme |
| Roulement Cojinete 4 | | Rondelle-ressort | 8 Rondelle-ress | Axe-bas | |
| Bague | | Joint | 8 Roulement- | Goujon | Vastago |
| Anillo | 4 | unta | J conique 4 | Ecrou | Tuerca |
| Joint-simering | | Boitier-g | 1 Rondelle-tole del | Rondelle | Arandela |
| Sello | 4 | | juego | Boulon | Perno |
| Boitier-dr | 1 | | 6 —0,1 mm | Ecrou | Tuerca |
| | | | | Graisneur | Engrasador |
| | | | | Epaule | Brazo |

SUKA 53 - KUČIŠTA PREDNJEJ MOSTA (DV)
 RGURE 53 - FRONT AXLE HOUSINGS (DV)
 RGURE 53 - BOITIER DE PONT AVANT (DV)
 RGURA 53 - CAJAS (DV)

SLIKA 53 - KUĆIŠTA PREDNJEG MOSTA (DV)
FIGURE 53 - FRONT AXLE HOUSINGS (DV)
FIGURE 53 - BOITIERS DE PONT AVANT (DV)
FIGURA 53 - CAJAS (DV)

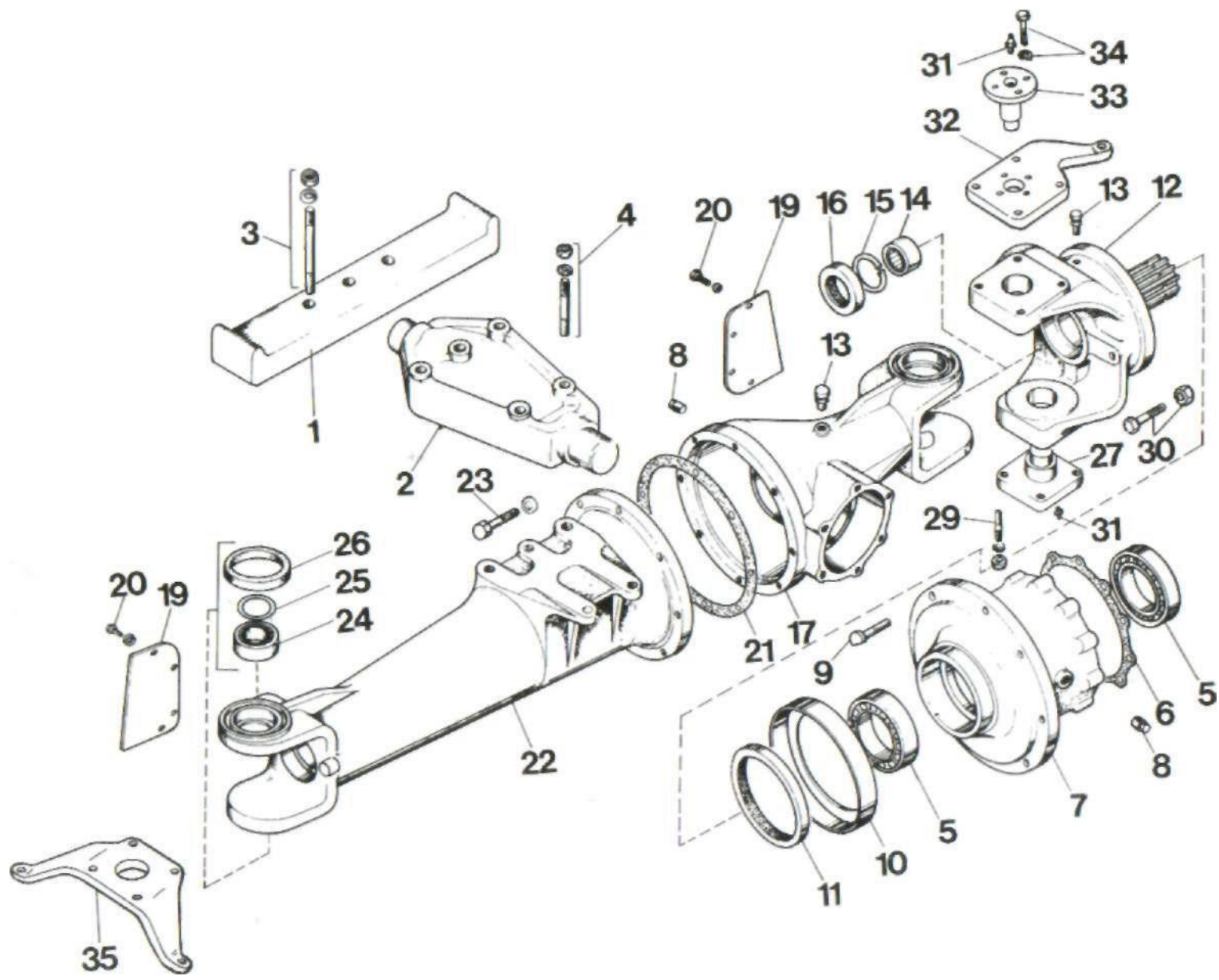


FIGURA 53 - CAJAS (DV)

| broj | Poz. | Broj dela | Naziv | Description | Designation | Descripcion | Kom. |
|------|------|--------------|-----------------------------|-------------|---------------|---------------------|------|
| 33 | | 51100479 | Osovinica rukavca-gornja... | Pin-top | Axe-haut | Pasador superior | 2 |
| 34 | | IS2101-M8x25 | Vijak | Bolt | Boulon | Perno 8 | |
| | IS | 2281-8 | Podloška opružna | | Spring washer | Arandela de resorte | 8 |
| 35 | | 51102490 | Rame | Arm | Épaule | Brazo 1 | |

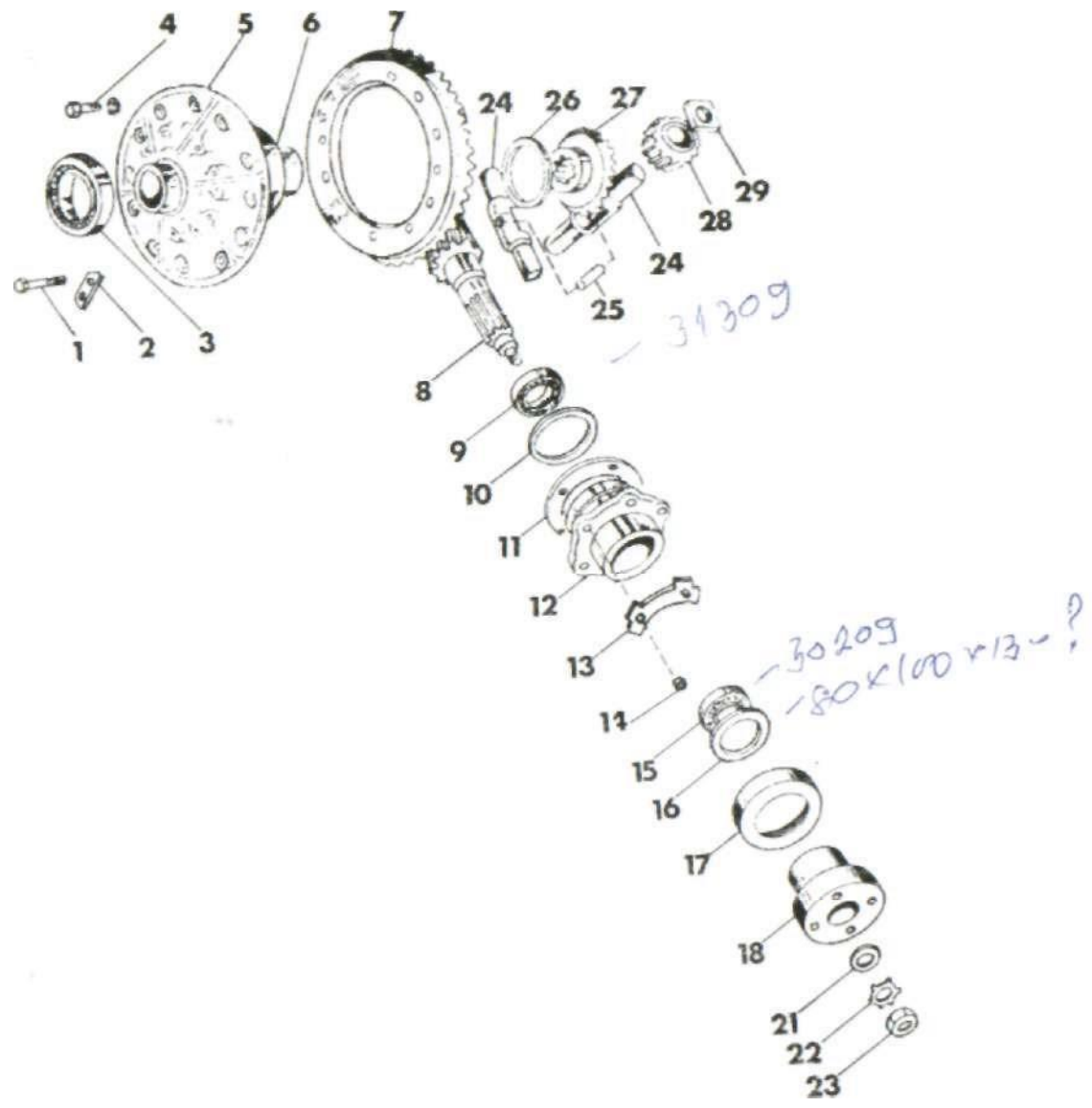
SLIKA 53 - KUĆIŠTA PREDNJEG MOSTA (DV)

FIGURE 53 - FRONT AXLE HOUSINGS (DV)

FIGURE 53 - BOITIERS DE PONT AVANT (DV)

NAPOMBIE: (A) Alternativno
NOTES: Alternative
NOTES: Alternatif
NOTAS: Alternativamente

SLIKA 54 - DIFERENCIJAL SA POGONSKIM ZUPČANIKOM (DV)
FIGURE 54 - DIFFERENTIAL WITH DRIVING GEAR (DV)
FIGURE 54 - DIFFERENTIEL AVEC PIGNON MOTRICE (DV)
FIGURA 54 - DIFERENCIAL CON ENGRANAJE DE ACCIONAMIENTO (DV)



SLIKA 54 - DIFERENCIJAL SA POGONSKIM ZUPČANIKOM (DV) FIGURE 54 - DIFFERENTIAL WITH DRIVING GEAR (DV)
 FIGURE 54 - DIFFERENTIEL AVEC PIGNON MOTRICE (DV)
 FIGURA 54 - DIFERENCIAL CON ENGRANAJE DE ACCIONAMIENTO (DV)

| Poz. | Broj dela | Naziv | Description | Designation broj | | |
|------|------------|----------|---|--|------------------------------------|--|
| | | | | | 25 | 57537413 Osovinica krsta Pin Axe de croix |
| | | | | | 26 | 57537411 Uporni prsten sunčanog z upčanika |
| 1 | | | 57537417 | Vijak Bolt Boulon | Ring | Bague d'appui |
| 2 | | | 57537418 | Specijalna podloška Washer - special Rondelle spec | 27 | 57537412 |
| 3 | | | 57537120 | Konusni ležaj Cone bearing Roulement conique | | Sunčani zupčanik |
| 4 | IS 2281-16 | | IS 2104-M16X30 | Vijak Bolt Boulon | | Ring gear Pignon-soleil |
| | | | Opružna podloška Spring washer Rondelle ressort | | | |
| 5 | | | 57537422 | Kućište diferencijala-levo . . . Differential case:LH Boitier de diff.-g | 28 | 57537415 Konusni trkač Gear Pignon conique . |
| 6 | | | 57537421 | Kućište diferencijala-desno . Differential case-R.H Boitier de diff.-dr | 29 | 57537416 Uporni prsten trkača Ring Bague-d'appui |
| 7 | | | A) 57537401 | Tanjirasti zupčanik Plate gear Engrenage - plat | | |
| 8 | | | [A] 51100065 | Pogonski zupčanik Driving gear Pignon - motrice | | |
| 9 | | | 51100280 | Konusni ležaj Cone bearing Roulement conique | | |
| 10 | | | 51100072 | Prsten zaptivni Seal Bague-joint | | |
| 11 | | | Podloška za podešavanje zazora | Washer for adjusting clearance | | |
| | 51100259 | | 5 — 0,1 mm | 5 — 0,1 mm | | Rondelle - tole 5 - 0,1 mm |
| | | 51100261 | 5 — 0,4 mm | 5 - 0,4 mm | | 6 ^m 0,4 mm |
| | | 51100262 | 5 — 0,55 mm | 5 - 0,55 mm | | 8 — 0,55 mm |
| 12 | | | 51100267 | Kućište pogonskog zupčanika | Boitier de Driving gear housing | pignon-motrice |
| 13 | | | 2172-M10x1 | Osigurač limeni Tab washer Tole a assurer | | Arandeia especial 6 Cojinete cónico 2 |
| 14 | | | IS 217* - M10 X 1 | Navrtka Nut Ecrou | | Pemo 12 |
| 15 | | | 51100300 | Konusni ležaj Cone bearing Roulement conique | | Arandeia de resorte 12 |
| 16 | | | 51100310 | Zaptivač simering Seal Joint-simering | | Caja de diferencial- izquierda 1 |
| 17 | | | 51100071 | Lim zaštitni Dust guard Tole de protect | | Caja de diferencial- derecha 1 |
| 18 | | | 51100066 | Prirubnica ožljebljena Retainer Tete - (glaque) | | Engranaje de hoja 1 Engranaje de accion . . . 1 |
| 21 | 51100038 | | Podloška Washer Rondelle | | | Cojinete cónico 1 Selio 1 |
| 22 | 51100039 | | Osigurač limeni Tabwasher Tole a assurer | | | |
| 23 | 51100041 | | Navrtka Nut Ecrou | | | |
| 24 | 57537414 | | Osovinica trkača Pin Axe de pignon | | | |

NAPOMENE: (A) Poručiti u paru pogonski i tanjirasti zupčanik.

NOTES: Order in pair driving and plate gear.

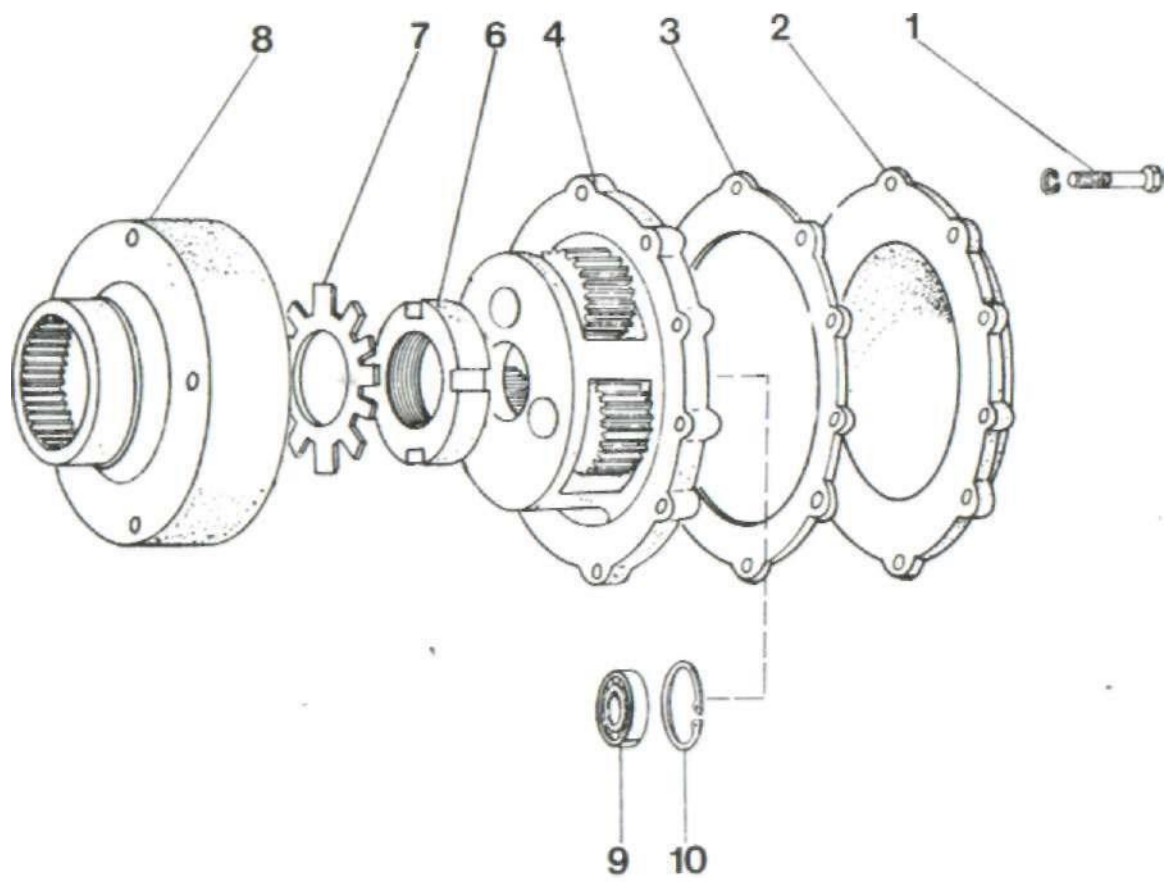
NOTES: Commander au paire - couple conique (2-engrenages).

NOTAS: Pedir en el par el engranaje de accionamiento y el de hojas.

Description Ком .

| | |
|-------------------------------|----|
| Arandeia ajustadora del juego | |
| 5 - 0,1 mm pp 6 — 0,4 mm pp | |
| 5 — 0,55 mm | pp |
| Caja del engranaje | |
| deaccionamiento | 1 |
| Asegurador | 3 |
| Tuerca 6 Cojinete cónico 1 | |
| Selio 1 Chapa protectora 1 | |
| Reborte | 1 |
| Arandeia | 1 |
| Asegurador | 1 |
| Tuerca 1 Pasador | 2 |
| Pasador | 1 |
| Anilo 2 | |
| Engranaje de anillo | 2 |
| Engranaje | 4 |
| Anillo 4 | |

SLIKA 55 - BOČNI REDUKTOR (DV)
FIGURE 55 - PLANETARY REDUCTION (DV)
FIGURE 55 - REDUCTEUR LATERAL (DV)
FIGURA 55 - REDUCTOR LATERAL (DV)



| | | | | | |
|---|------------|--------------------------|----------------|------------------|---------------------------------|
| | IS 2281-10 | Podložka opružna | Spring washer | Rondelle ressort | Aran dela de resorte 20 |
| 2 | 57537312 | Poklopac reduktora Cover | Couvercle | Cubierta 2 | |
| 3 | 57537378 | Zaptivka Gasket Joint | Junta 4 | | |
| 4 | 51101010 | Nosač satelita - sklop | Carrier - assy | Boitier - ens | Portador - ensamble . . . 2 |

| | | | | | | | | | |
|---|----------|----------|--------|------------|----------------|------------|---|--|--|
| 6 | 57537377 | Navrtka | Nut | Ecrou | Tuerca | 2 | | | |
| 7 | 57537376 | Osigurač | limeni | Tab washer | Tole a assurer | Asegurador | 2 | | |

| Poz. broj | Broj dela | Naziv | Description | Designation | Description | Kom. |
|-----------|----------------|-------|-------------|-------------|-------------|------|
| 1 | IS 2101-M10x50 | Vijak | Bolt | Boulon | Pemo | 20 |

| | | | | | | |
|----|-----------------|------------------------------|-----------------|------------------|--------------------|---|
| 8 | 51100271 | Spoljni sunčani zupčanik ... | Ring gear-outer | Pignon-sotei-ext | Engranaje exterior | 2 |
| 9 | 53350150 | Ležaj kuglični | Ball bearing | Roulement | Cojinete de bola | 2 |
| 10 | JUS M.C2.400-62 | Uskočnik | Circlip | Circlip | Tope del pasador | 2 |

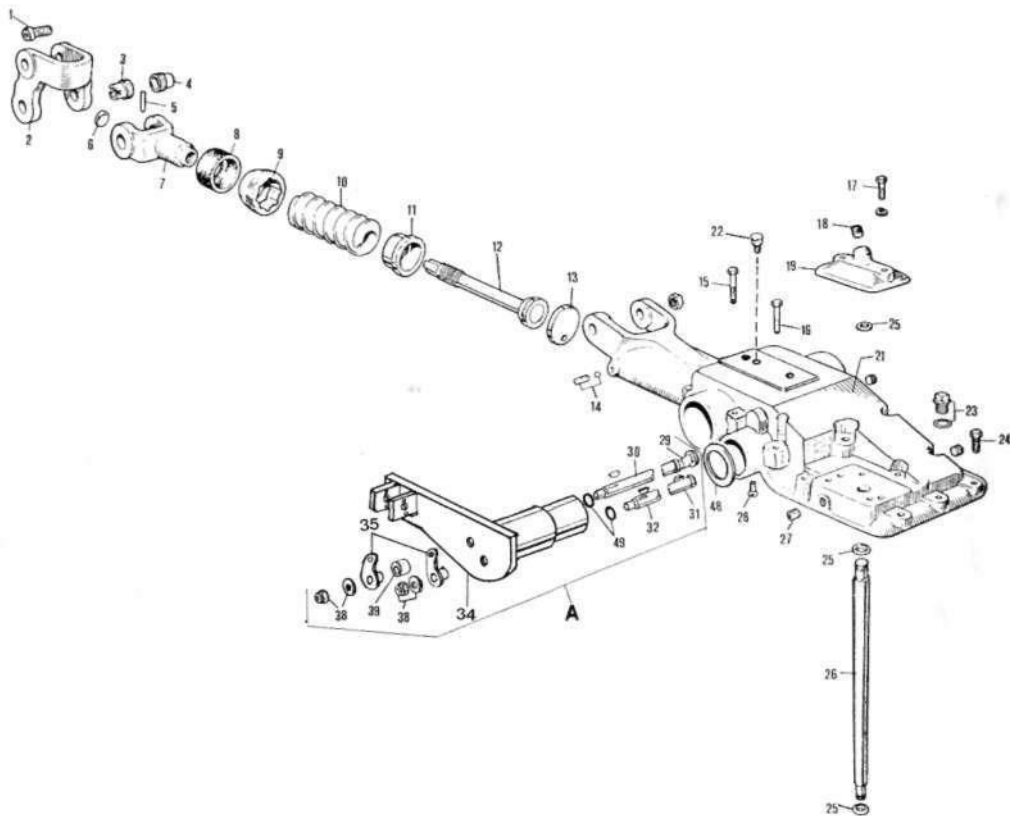
SLIKA 55 - BOČNI REDUKTOR (DV) FIGURE 55 -

PLANETARY REDUCTION (DV)

FIGURE 55 - REDUCTEUR LATERAL (DV)

RGURA 55 - REDUCTOR LATERAL (DV)

SLIKA 10 - POKLOPAC HIDRAULIČNOG PODIZNOG UREĐAJA
FIGURE 10 - HYDRAULIC LIFT COVER
FIGURE 10 - COUVERCLE DE RELEVAGE HYDRAULIQUE
FIGURA 10 - TAPA DEL DISPOSITIVO HIDRAULICO DE IZAJE



IS 2271-8.4

Podložka

| Poz. broj | Broj dela | Naziv | Description | Designation | Desert pcion | Kom. |
|--------------|-----------|-------|-------------|-------------|--------------|------|
|--------------|-----------|-------|-------------|-------------|--------------|------|

| | | | | |
|-------------------------------------|----------------------|----------------------|----------------------|---|
| Telo komande | Body | Corps | Cuerpo | 1 |
| | Lever | Lever | Palanca | 2 |
| Samoosiguravajuća navrtka | Nut | Ecrou | Tuerca | 2 |
| | Washer | Rondelle | Arandeta | 2 |
| | Spacer | Entretoise | Espaciador | 1 |
| | Gasket | Joint | Junta | 1 |
| Zaptivka | Gasket | Joint | Junta | 2 |

SLIKA

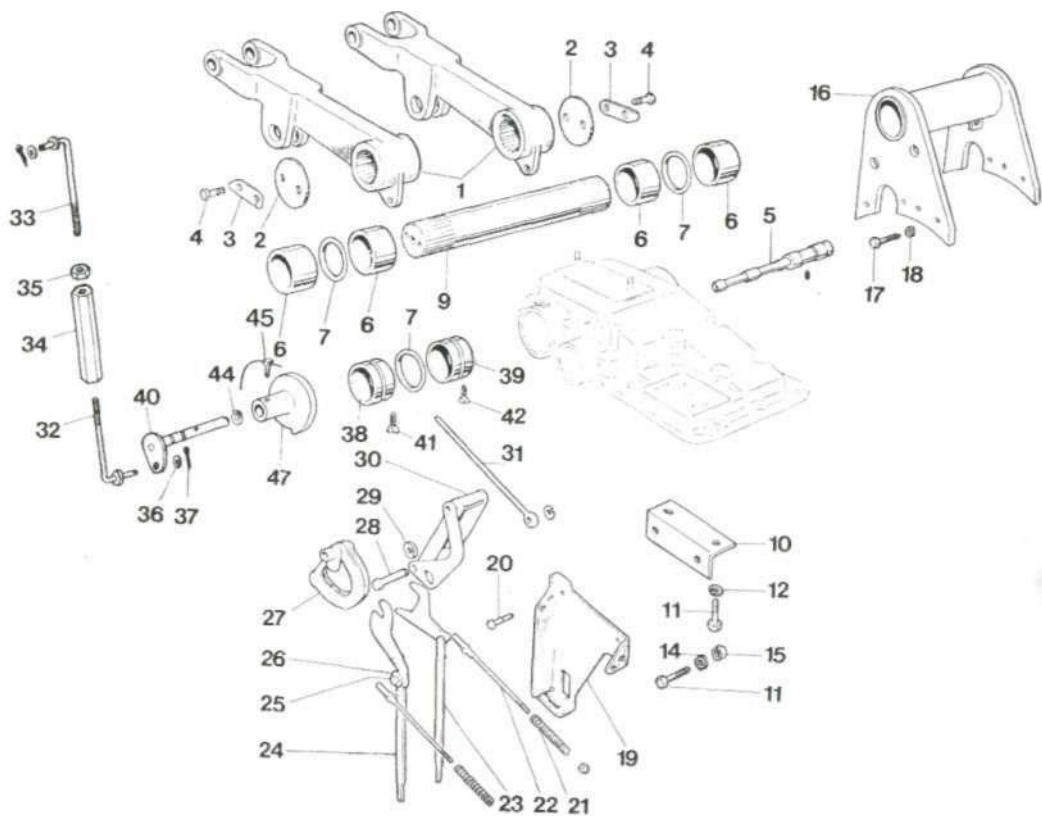
10-POKLOPAC HIDRAULIČNOG PODIZNOG UREĐAJA

RGURE 10 - HYDRAULIC LIFT COVER FIGURE 10 - COUVERCLE

DE RELEVAGE HYDRAULIQUE

FIGURA 10 - TAPA DEL DISPOSITIVO HIDRAULICO DE IZAJE

SUKA 11 - PODIZNI UREDAJ
FIGURE 11 - LIFT SHAFT AND RELATED PARTS
FIGURE 11 - BRAS DE RELEVAGE
FIGURA 11 - DISPOSITIVO DE LEVANTAMIENTO



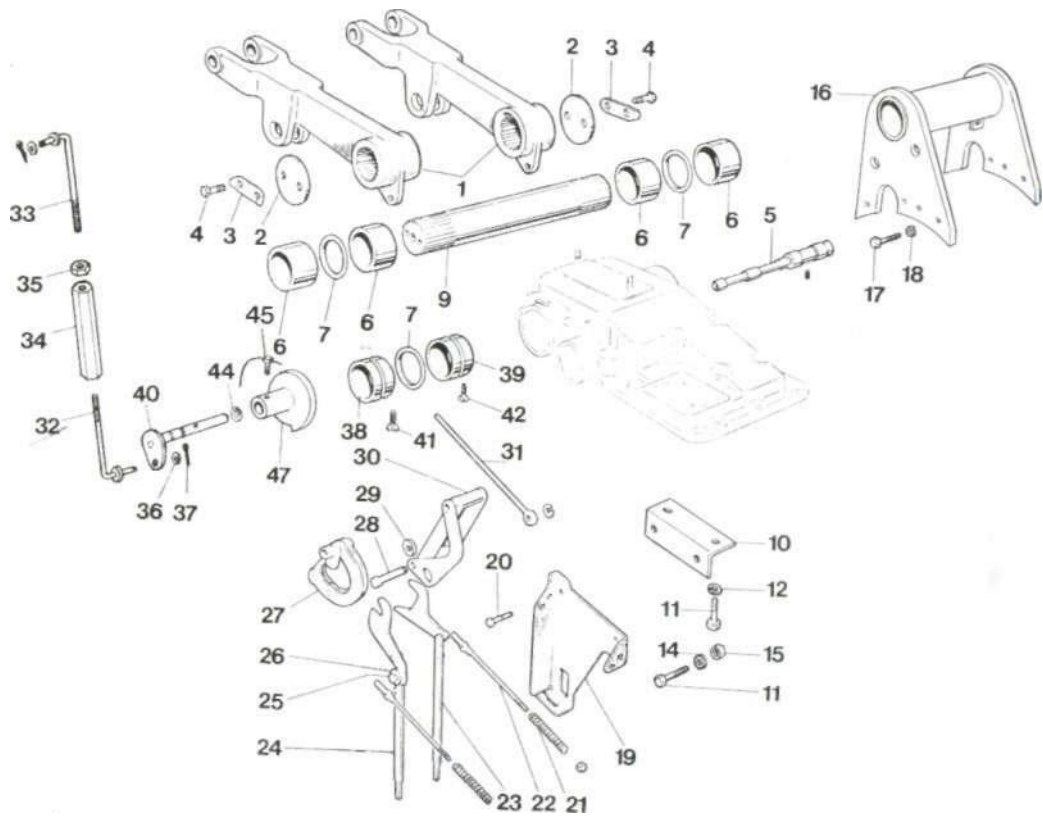
SLIKA 11 - PODIZNI UREĐAJ
FIGURE 11 - LIFT SHAFT AND RELATED PARTS
FIGURE 11 - BRAS DE RELEVAGE
FIGURA 11 - DISPOSITIVO DE LEVANTAMIENTO

| | | |
|---|----------|------------|
| 1 | 51200585 | |
| 2 | 56002317 | 3 56002318 |

| | | | | |
|--------------------------|-----------------|---------------|------------|---|
| 305 me podizno | Arm | Bras | Brazo | 2 |
| Pločica-naslon | Washer-lift arm | Rondelle | Arandella | 2 |
| Podloška | Washer | Frein de vis | Arandella | 2 |
| | Screw | Vis | Tornilla | 4 |
| Osovinica kulisa | ShafMink | Axe | Eje | 1 |
| | Screw | Vis | Tornilla | 1 |
| Čaura ležišna | Bush | Bague | Buje | 4 |
| Prsten gumeni | Ring | Joint torique | Sello | 2 |
| Podizno vratilo | Lift shaft | Arbre | Eje | 1 |
| Nosač | Bracket | Support | Soporte | 1 |
| | Bolt | Boulon | Perno | 2 |
| Podloška opružna | Washer | Rondelle | Arandela | 2 |
| | Bolt | Boulon | Perno | 2 |
| Podloška opružna | Washer | Rondelle | Arandella | 2 |
| | Nut | Ecrou | Tuerca | 1 |
| | Support | Support | Soporte | 8 |
| | Bolt | Vis | Tornilla | 8 |
| Podloška opružna | Washer | Rondelle | Arandela | 1 |
| | Bracket | Support | Suporte | 2 |
| | Screw | Vis | Tornilo | 2 |
| | Spring | Ressort | Resorte | 2 |
| Vodica opruge | Guide-spring | Tringle | Guia | 2 |
| Navrtka samoosigurav | Nut | Ecrou | Tuerca | 2 |
| Viljuška za kontr. vuče | Fork | Fourchette | Horquilla | 2 |
| Viljuška za kontr. polož | Fork | Fourchette | Horquilla | 2 |
| Navrtka | Nut | Ecrou | Tuerca | 1 |
| Ekscentar | Cam | Excentre | Leva | 2 |
| Kulisa | Link | Coulisse | Emplame | 2 |
| Osovinica | Pin | Axe | Pasador | 2 |
| Segerov prsten - spoljni | Ring-snap | Circlip | Aro reten. | 2 |
| | Roller | Galet | Rodillo | 2 |
| Kulisa za kontr. vuče | Link | Coulisse | Emplame | 2 |
| | Rod | Tringle | Varilla | 2 |
| | Rod | Tringle | Varilla | 2 |
| | Rod | Tringle | Varilla | 2 |
| | Tzrn buckle | Tiret | Grapa | 2 |
| | Nut | Ecrou | Tuerca | 2 |
| | Washer | Rondelle | Arandela | 2 |
| | Cotter pin | Goupille | Clavija | 2 |
| | Bush | Bague | Buje | 2 |
| | Bush | Bague | Buje | 2 |
| Osovinica | Pin | Axe | Pasador | 2 |
| Vijak | Bolt | Boulon | Perno | 2 |
| | Bolt | Boulon | Perno | 2 |
| | Gasket | Joint | Junta | 2 |

| Poz. broj | Broj dela | Description | Designation | Description | 53302334 |
|-----------|--------------------|----------------------|----------------------|-------------|----------|
| 6 | 56002314 7 | 56002315 | | | Vijak |
| 9 | 51200587 | | | | |
| 10 | 51202530 | | | | |
| 11 | JUSM.B1.120-M8X25 | Vijak | | | |
| 12 | IS 2281-8 | | | | |
| 13 | IS2103-M8x18 | Vijak | | | |
| 14 | IS 2281-8 | | | | |
| 15 | IS2171-M8 | Navrtka | | | |
| 16 | 51202510 | Nosač | | | |
| 17 | IS2101-M12x35 | Vijak | | | |
| 18 | IS 2281-12 | | | | |
| 19 | 56002302 | Konzola | | | |
| 20 | IS2103-M8x15 | Vijak | | | |
| 21 | 53202304 | Opruga | | | |
| 22 | 53302303 | | | | |
| | 53308704 | | | | |
| 23 | 56002430 | | | | |
| 24 | 56002440 | | | | |
| 25 | IS2171-M6 | | | | |
| 26 | 53202443 2 7 | 53202420 | | | |
| 28 | 53202306 | | | | |
| | 53202313 | | | | |
| 29 | 53202425 | Vajličić 3 0 | | | |
| | 53202410 | | | | |
| 31 | 56002312 | Šipka | | | |
| 32 | 51201120 | Šipka | | | |
| 33 | 51202550 Šipka 3 4 | 51200258 Zatezač 3 5 | IS2172-M10X1 Navrtka | | |
| 36 | IS 2272-10,5 | Podloška | | | |
| 37 | IS 2291-3x15 | Rascepka | 3 8 | | |
| | 51200588 | Čaura | | | |
| 39 | 51200589 | Čaura | | | |
| 40 | 51200850 | | | | |
| 41 | 51200602 | | | | |
| 42 | 56002623 | Vijak | | | |

SLIKA 11 - PODIZNI UREĐAJ
FIGURE 11 - LIFT SHAFT AND RELATED PARTS
BRAS DE RELEVAGE
FIGURA 11 - DISPOSITIVO DE LEVANTAMIENTO

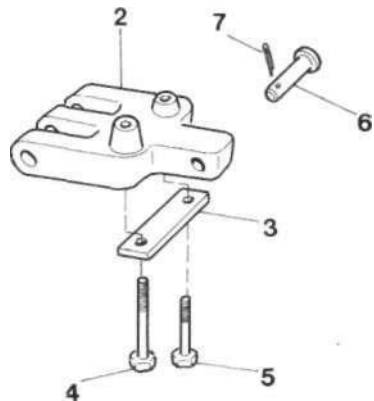
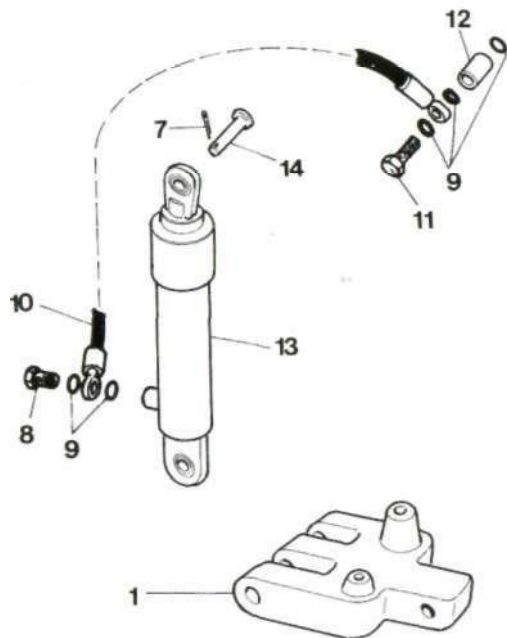


SUKA 11 - PODIZNI UREDAJ
 FIGURE 11 - LIFT SHAFT AND RELATED PARTS
 FIGURE 11 - BRAS DE RELEVAGE
 FIGURA 11 - DISPOSITIVO OE LEVANTAMIENTO

Poz. Broj dela Naziv Description Designation Description Kom. broj

| | | | | | | | |
|----|----------|---|--------------------------|------------|-------------------|---------------|----|
| 45 | 53303704 | | | Bolt | Vis | Perno | .1 |
| | Vijak | 1 | Žica za osiguranje | Wire | Fil de feer | Alambre | .1 |
| | 53203707 | 1 | | Cam | Came | Leva | .1 |
| 47 | 51200209 | | Breg | | | | 1 |

SUKA 12 - PODIZNI CILINDRI SA NOSA&MA
FIGURE 12 - LIFT CYLINDERS WITH SUPPORTS
FIGURE 12 - CYLINDRES DE RELEVAGE AVEC LES SUPPORTS
FIGURA 12 - CILINDRO DE IZAJE CON SOPORTES



SLIKA 12 - PODIZNI CILINDRI SA NOSAČIMA
 FIGURE 12 - LIFT CYLINDERS WITH SUPPORTS
 FIGURE 12 - CYLINDRES DE RELEVAGE AVEC LES SUPPORTS
 FIGURA 12 - CILINDRO DE IZAJE CON SOPORTES

| Poz. broj | Broj dela | Naziv | Description | Designation | Desripcion | Kom. |
|-----------|---------------------|----------|------------------------|--------------|----------------|----------------------|
| 1 | 51200593 | | Nosač cilindra - desni | Support, R.H | Support-dr | Soporte, derecho 1 |
| 2 | 51200595 | | Nosač cilindra - levi | Support, LH | Supoort-g | Soporte, izquierdo 1 |
| 3 | 51200601 | | Lim za osiguranje | Sheet | Tole-assurant | Chapa 2 |
| 4 | IS2106-M24x2x170 | | Vijak | Bolt | Boulon | Perno 2 |
| 5 | IS2106-M24x2x170 | | Osovinica | Pin | Axe | Pasador 2 |
| 6 | 51200599 | | Rascepka | Cotter pin | Goupille | Chaveta 2 |
| 7 | IS 2291-6x45 | | Vijak šuplji | Bolt | Vis-vide | Perno 2 |
| 8 | JUSM.B6.883-B13 | | Zaptivka | Gasket | Joint | Junta 10 |
| 9 | JUS M.C4.500-A18x24 | | Cev savitljiva | Pipe - bent | Tuyau-flexible | Tube doblado 2 |
| 10 | 51200584 | | Vijak šuplji | Bolt | Vis-vide | Perno 2 |
| 11 | 54055325 | | Distanca | Spacer | Entretoise | Espaciador 2 |
| 12 | 54055324 | | | Cylinder | Cylindre | Cilindro 2 |
| 13 | (A) 51202500 | Cilindar | | Pin | Axe | Pasador 2 |
| 14 | IS 2351-30x85x77 | | Osovinica | | | |

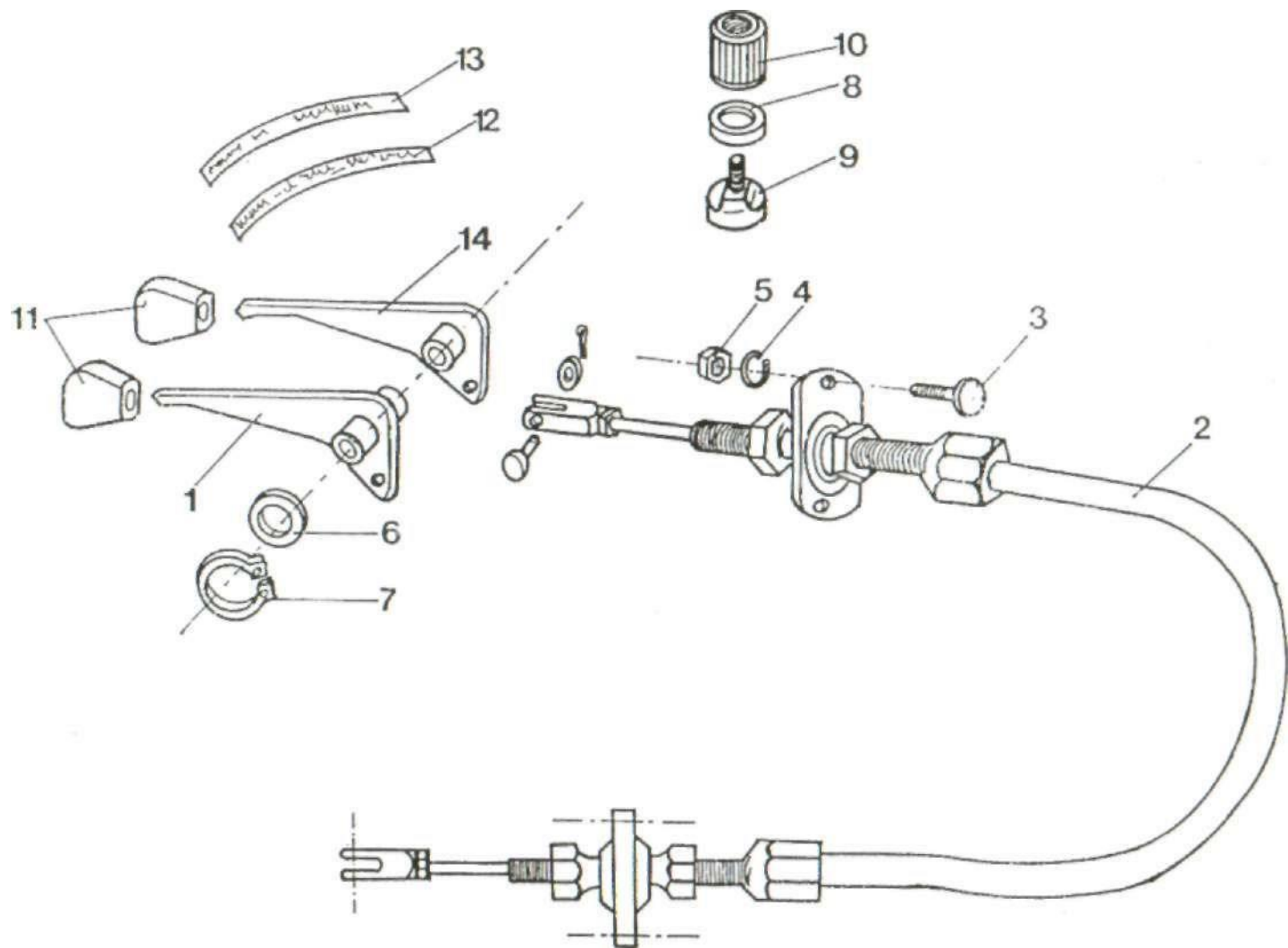
NAPOMENE: (A) Set zaptivki br. 7677859
 NOTES: Gasket kit No. 7677859
 NOTES: Jeu des joints N° 7677859
 NOTAS: Juego de juntas N° 7677859

oi_in\ io — rwjivirtun i ni_»ru-\wi_it>/-i

FIGURE 13 - HYDRAULIC CONTROL

FIGURE 13 - COMMANDE D'h/DRAULIQUE

FIGURA 13 - MANDO DE HIDRAULICO



| Poz. broj | Broj dela | Naziv | Description | Designation | Descripcion | Kom. |
|------------------|------------------|--------------|-------------|-------------|-------------|------|
|------------------|------------------|--------------|-------------|-------------|-------------|------|

1

51502122

Ručica komande - leva . . Control lever, LH

Levier gauche

Palanca izquierda

2

2.

51501222 Corde d'acier

Cuerda de acero

2

3 IS 2103-M5X18 Vis Tornillo 8 4 IS 2281-5 Rondelle Arandela 8 5 IS2173-M5 Ecou Tuerca 8 6 IS 2271-15 Rondelle Arandela 1

7 JUSMC2.401-15 Joint torique Aro selio 1

8 53202617 Rondelle Arandela 4 9 53202615 Vis d'arret Tope 4 10 51501223 Erou Tuerca 4

Calcomania que indica

Calcomania que indica

12 51501496 Embleme de position position 1

13 51501497 Embleme de traction traction 1

| | |
|--------------------------------|-------------------|
| Uže čelično | Steel rope |
| Zavrtanj | Bolt |
| Podloška opružna | Spring washer |
| Navrtka | Nut |
| Podloška | Washer |
| Segerov prsten | "O"-ring |
| Podloška | Washer |
| Zavrtanj graničnika | Stop bolt |
| Navrtka | Nut |
| Ručka | Handle |
| Nalepnica za položaj | Position sticker |
| Nalepnica za vuču | Draft sticker |
| Ručica komande - desna | Control lever R.H |

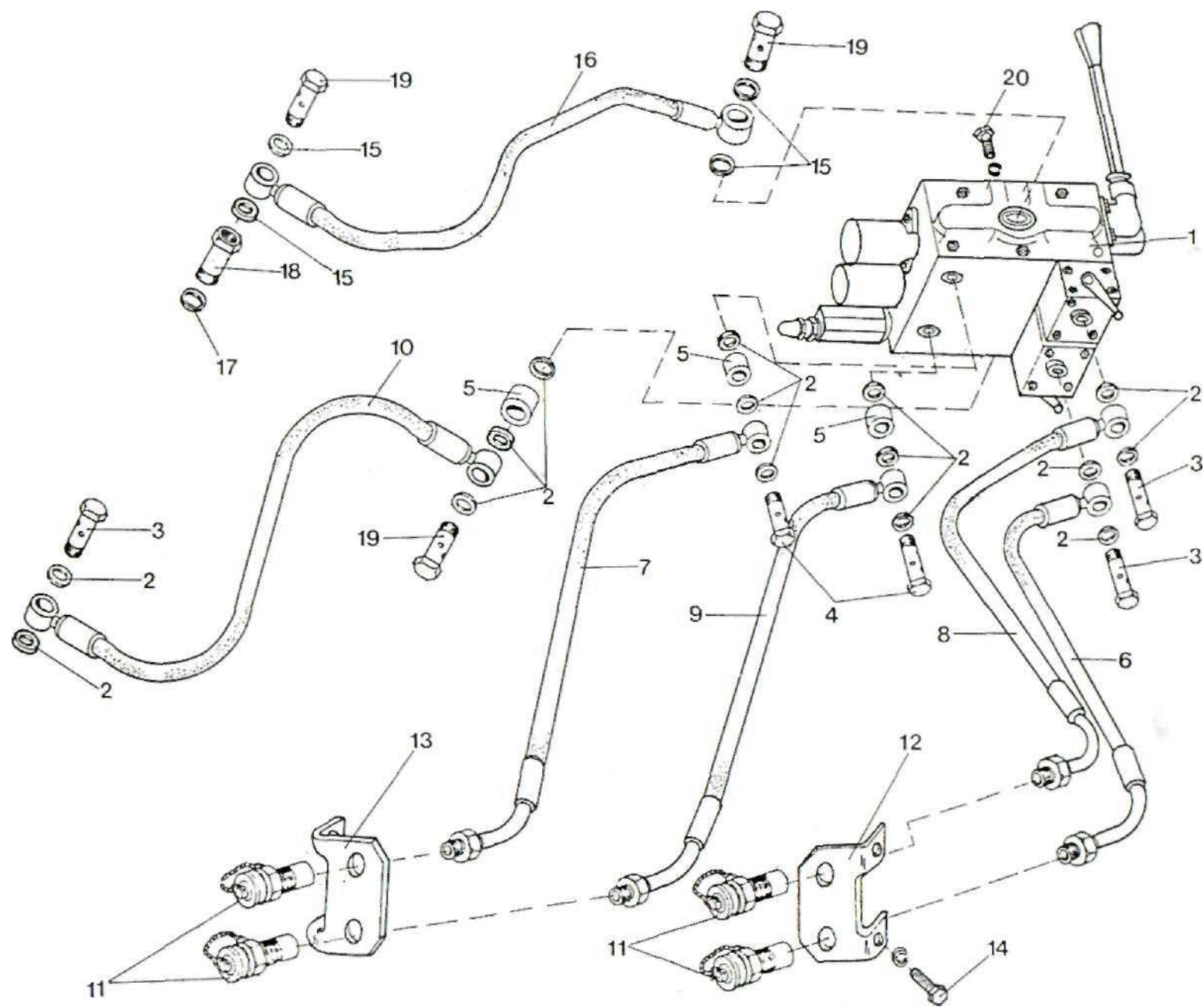
SLIKA 13 - KOMANDA HIDRAULIKA

FIGURE 13 - HYDRAULIC CONTROL

FIGURE 13 - COMMANDE D'HYDRAULIQUE

FIGURA 13 - MANDO DE HIDRAULICO

SLIKA 14 - HIDRAULIČKA INSTALACIJA ZA ORUĐA
FIGURE 14 - HYDRAULIC INSTALLATION FOR IMPLEMENTS
FIGURE 14 - INSTALLATION HYDRAULIQUE POUR LES OUTILS
FIGURA 15 - INSTALACION HIDRAULICA PARA IMPLEMENTOS



Poz.

Description

Designation

Descripcion

Kom.

broj

Broj dela

Naziv

1 52705174 Tandem razvodnik sa

.....
.....
.....
.....
.....

slavinama Distribuidor con grifos .

6 52705171 Gumena savitljiva cev

7 52705168 Gumena savitljiva cev Hose 8 52705169 Gumena savitljiva cev Hose

9 52705172 Gumena savitljiva cev Hose

| | | | |
|---------------------------------------|--|-----------------------------|----|
| Twin distributor with cocks | Distributeur avec robinets | | |
| Seal | Joint | Junta | 15 |
| Bolt - hollow | vis | Tornillo | 3 |
| Bolt - hollow | Vis | Tornillo | 3 |
| Space bushing | Entretoise | Espaciador | 3 |
| Hose | Tuyau | Manguera | 1 |
| | Tuyau | Manguera | 1 |
| | Tuyau | Manguera | 1 |
| | Tuyau | Manguera | 1 |
| | Tuyau | Manguera | 1 |
| Self-sealing coupling | Joint d'etancheite automatique | Niple acople | 4 |
| Coupling holder - R.H. | Support droit | Soporte derecho | 1 |
| Coupling holder - LH. | Support gauche | Soporte izquierdo | 1 |
| | vis | Tornillo | 4 |
| Spring washer | Rondelle | Arandela | 4 |
| | Joint | Junta | 4 |
| | Tuyan | Manguera | 1 |
| | Joint | Junta | 1 |
| Connector | Connecteur | Conexion | 1 |
| | Vis | Tornillo | 2 |
| Bolt | Vis | Tornillo | 4 |
| Spring washer | Rondelle | Arandela | 4 |

12

52705225

Držáč spojnice - desni ...

13

52705226

Držac spojnice - levi

14 IS 2101-M8x22 vijak Bolt

IS 2181-8

Opružna podloška

16

52705177

Cev gumena savitljiva

Hose

17 DIN 7603-33x39 Zaptivač Seal

IS 2281-10

Opružna podložka

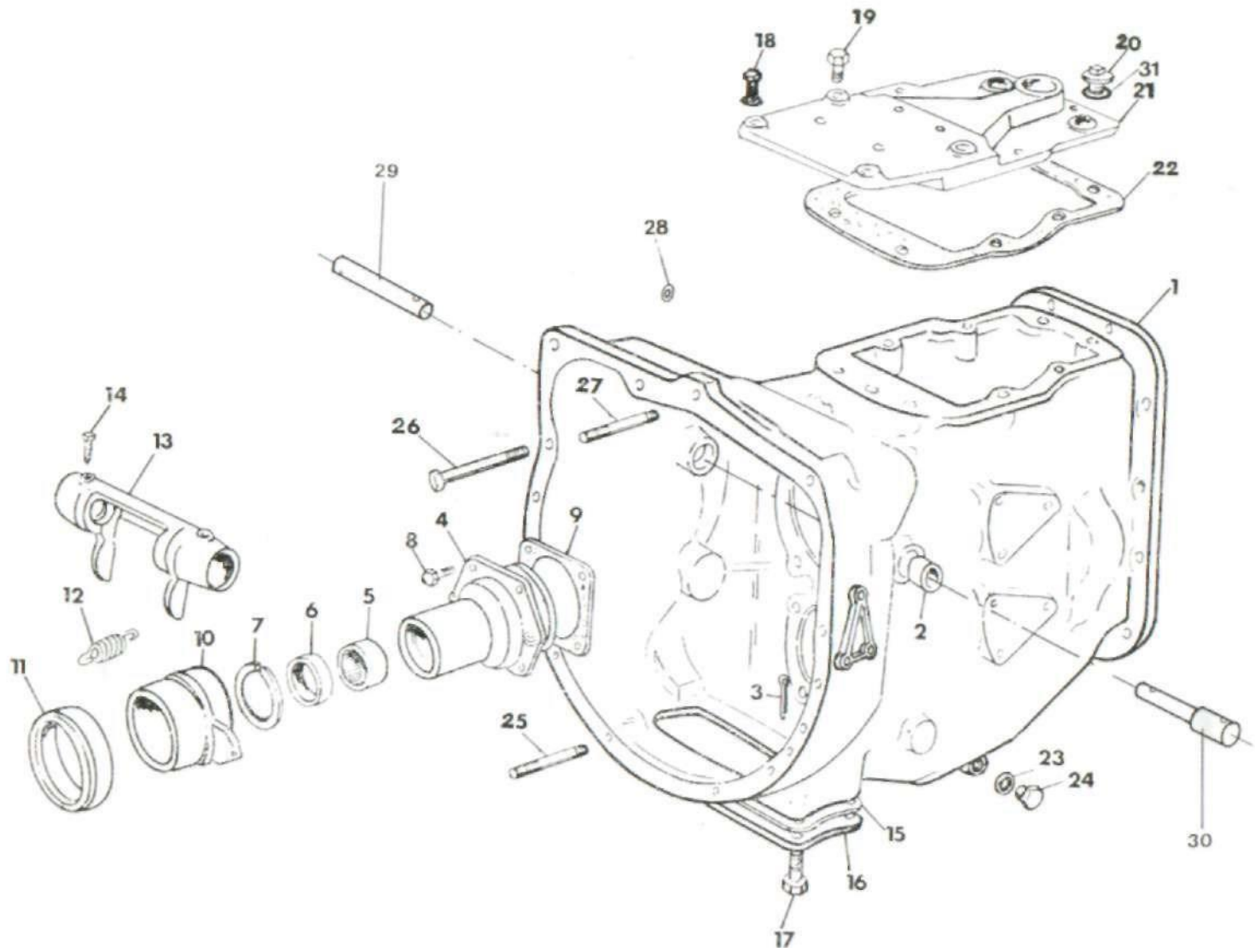
SLIKA 14 - HIDRAULIČKA INSTALACIJA ZA ORUĐA RIGURE 14 -

HYDRAULIC INSTALLATION FOR IMPLEMENTS

FIGURE 14 - INSTALLATION HYDRAULIQUE POUR LES OUTILS

FIGURA 14 - INSTALACION HIDRAULICA PARA IMPLEMENTOS

SLIKA 15 - MENJAČKA KUTIJA
FIGURE 15 - TRANSMISSION CASE
FIGURE 15 - CARTER DE BOITE DE VITESSES
FIGURA 15 - CAJA DE LA TRANSMISION



SLIKA 15 - MENJAČKA KUTIJA
 FIGURE 15 - TRANSMISSION CASE
 FIGURE 15 - CARTER DE BOITE DE VITESSES
 FIGURA 15 - CAJA DE LA TRANSMISION

| Poz. broj | Broj dela | Naziv | Description | Designation |
|-----------|--------------|------------------------------------|-------------|-------------|
| | (A) 51300470 | Menjačka kutija-sklop | | |
| 1 | 51300079 | Menjačka kutija | | |
| 2 | 53203102 | Čaura pedale spojnice | | |
| 3 | IS 2291-5x30 | Rascepka | | |
| | (B) 56003640 | Kučište šupljeg vratila - sklop | | |

| | |
|------------------------------|---------------------------------|
| transmission case assy . . . | Boite de vitesses/ens |
| transmission case | Boite de vitesses |
| Bush | Bague |
| Cotter pin | Goupille |
| Case assy | Boitier ens |
| | Boitier |
| | Roulement |
| | Joint |
| Snap ring inner | Bague seger - int |
| | Boulon |
| | Joint |
| | Support |
| Thrust bearing | Coussinet axial |
| | Resorte de repris |
| | Fourchette |
| | Boulon |
| Gasket . . . ! | Joint |
| Cover low | Couvercel bas |
| | Boulon |
| | Boulon |
| Spring washer | Rondelle |
| | Boulon |
| Threaded plug | Bouchon |
| | Couvercle |
| | Joint |
| | Joint |
| | Bouchon |
| | Goujon |
| | Boulon |
| | Boulon |
| | Goujon |
| Washer | Ronelle |
| | Ecrou |
| | Bouchon |
| Fork pin, R.H | Axe. G |
| Fork pin, L.H | Axe. D |
| Gasket | Joints |
| | 4 56003641 |
| | Kučište |
| | šupljeg vratila |
| | Case |

| | | | |
|----|----------------|--|---|
| 5 | 56003650 | Ležaj igličasti . . . Bearing | |
| 6 | 56003660 | Zaptivač - simering Gasket | 7 56003643 Segerov prsngen-unutrašnji . |
| 8 | 53303606 | Vjak Bolt | |
| 9 | 53203605 | Zaptivka Gasket | |
| 10 | 57524001 | Nosač upornog ležaja . . . Bracket | |
| 11 | 56004010 | Uporni ležaj | |
| 12 | 56004002 | Povratna opruga upornog ležaja . . . Spring | |
| 13 | 53324011 | Viljuška Fork | |
| 14 | 55504202 | Vijak Bolt | |
| 15 | 53203803 | Zaptivka | |
| 16 | 53203804 | Donji poklopac menjača... | |
| 17 | IS2104-M16x30 | Vijak Bolt | |
| 18 | IS 2104-M12x30 | Vijak Bolt | |
| | IS 2281-12 | Podloška opružna | |
| 19 | IS2104-M12x60 | Vijak Bolt | |
| 20 | 53305137 | Zatvarač sa navojem | |
| 21 | 56005001 | Poklopac menjačke kutije . . Cover | |
| 22 | 53205001 | Zaptivka Gasket | |
| 23 | 53201002 | Zaptivka čepa . . . Gasket | |
| 24 | 53201060 | Čep za ispuštaje ulja . . . Plug | |
| 25 | 55103105 | Svorni vijak Stud 2 6 IS 2102-M12x45 Vijak Bolt | |
| | IS 2102-M12x70 | Vijak Bolt | |
| 27 | 55506101 | Svornik vijak Stud | |
| | IS 2281-12 | Podloška opružna | |
| | IS2172-M12x1.5 | Navrtka Nut | |
| 28 | IS 2285-25 | Limeni čep za nabijanje . . . Plug 29 56004004 | |
| | | Osovinica viljuške - desna . . 30 56004005 Osovinica viljuške - leva . . . | |
| 31 | 56002127 | Zaptivka | |

| | |
|-------------------------------|----|
| Caja de transmision | 1 |
| Buje | 2 |
| Caja ens | 1 |
| Caja | 1 |
| Cojinete | 1 |
| Junta | 1 |
| Anillo interior | 1 |
| Perno | 4 |
| Junta | 1 |
| Support | 1 |
| Cojinete axial | 1 |
| Resorte | 2 |
| Horquilla | 1 |
| Perno | 2 |
| Tapa inferior | 1 |
| Perno | 4 |
| Perno | 6 |
| Arandela | 8 |
| Perno | 2 |
| Cerrador roscado | 1 |
| Tapa | 1 |
| Junta | 1 |
| Junta del tapon | 1 |
| Tapon | 1 |
| Perno | 2 |
| Vastago | 1 |
| Arandela | 15 |
| Tuerca | 3 |
| Tapon | 1 |
| Perno, D | 1 |
| Juntas | 1 |
| Chaveta | 1 |

NAPOMENE: (A) Obuhvata pozicije 1.2.3 + 28 (B) Obuhvata po'icije 4,5,6 i 7
NOTES: Includes items 1.2.3 and 28 Includes items 4.5,6 and 7 NOTES: Comprend Pos. 1 2.3 et 28 Comprend Pos 4.5,6 et 7
NOTAS: Incluye las renglones 1.2.3 y 28 Incluye las 'englones 4.5.6 y 7
Descripcion Kom.

Caja de transmision ens.. . 1

Perno
Junta
Support

Junta

1

1

Vastago 2 Perno 7

Arandela

Perno, 1

1

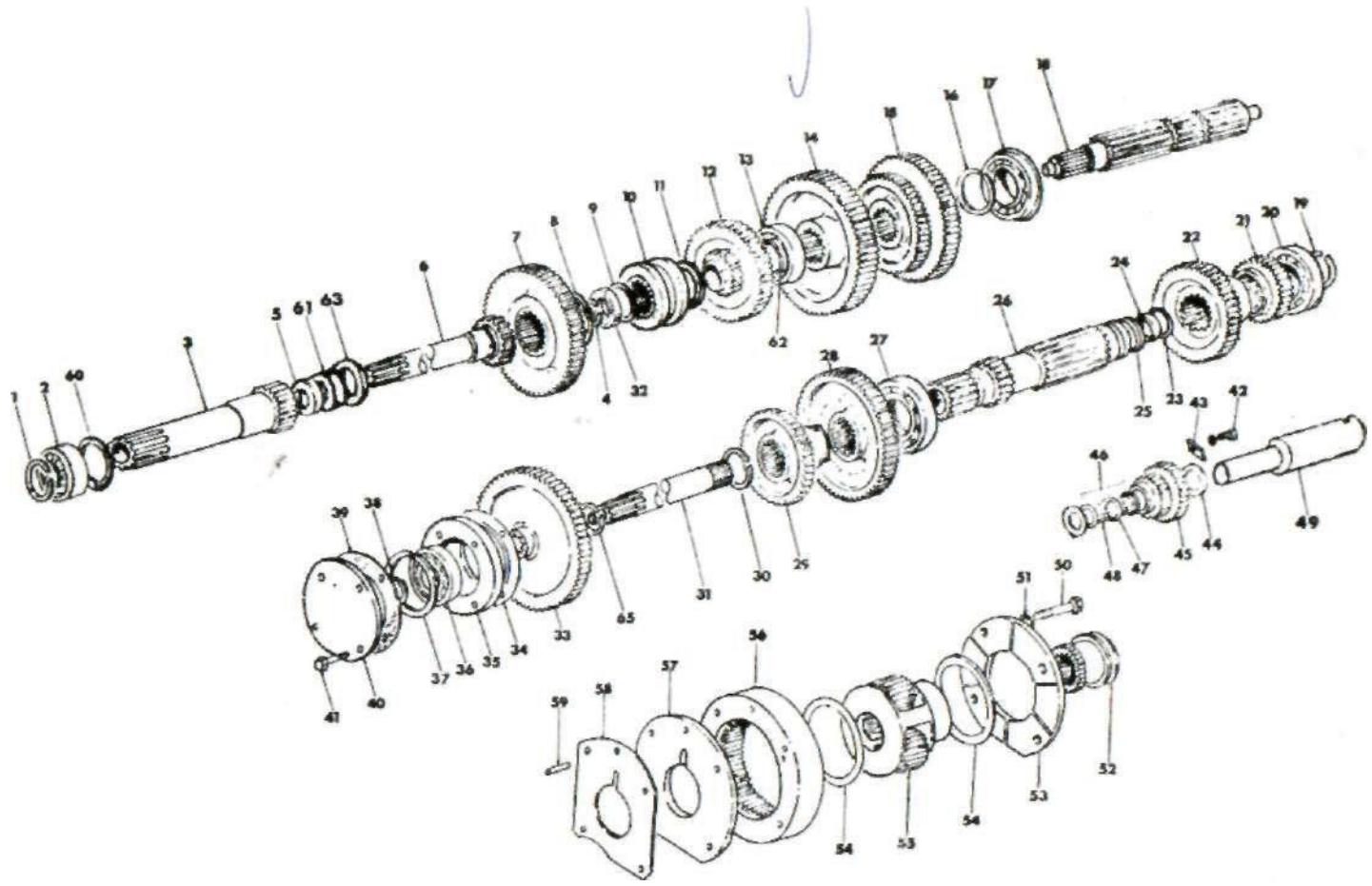
43

SLIKA 16 - MENJAČ (sa 10 brzina)

FIGURE 16 - TRANSMISSION (10 speed)

FIGURE 16 - BOITE DE VITESSES (A 10 rapports)

FIGURA 16 - TRANSMISION (10 velocidades)



| Poz. | Brojdela | Naziv | Description | Designation | Dese ription | Kom. |
|-------------|-----------------|--------------|--------------------|--------------------|---------------------|-------------|
|-------------|-----------------|--------------|--------------------|--------------------|---------------------|-------------|

broj

51300490

Menjač - kpt

Transmission - coml

Boite de vitesses

Transmision

1

1 53203305 Segerov prsten-spoljni Snap ring-outer Bague seger-ext Annilo exterior 1

| | | | | | |
|---|----------|----------------|--------------|-----------|--------------------|
| 2 | 56003630 | Kuglični ležaj | Ball bearing | Roulement | Cojinete de bola 1 |
|---|----------|----------------|--------------|-----------|--------------------|

3 51300072 Šuplje vrtilo, Z —19 Hollow shaft, Z-19 Arbre-vide, Z—19 Eje vacio, Z=- 19 1

| | | | | |
|---|----------|--|-----------------|---|
| 4 | 57703452 | Segerov prsten spoljini Snap ring - outer Bague seger - ext | Anillo exterior | 1 |
|---|----------|--|-----------------|---|

53223610

Zaptivač-simering

Seal

Joint-simering

Selio_____"

1

57703606

Ulazno vratilo

Input shaft

Arbre dentree

Eje entrante

1

| | | | | | | | |
|---|----------|------------------|-----------------|---------------------------------|------------|------|-------------|
| 7 | 58703607 | Zupčanik ulaznog | Pignon D' arbre | Engranaje del eje vratila, Z-36 | Gear, Z-36 | Z-36 | entrante,Z- |
|---|----------|------------------|-----------------|---------------------------------|------------|------|-------------|

8

53201006

Segerov prsten- Snap ring-special

Bague-seger - Anillo-asegurador

-specijalni osigurač

circlip

circlip-spec

especial

1

| | | | | | |
|---|----------|-----------------|----------|----------|---|
| 9 | 57703449 | Podložka Washer | Rondelle | Arandela | 1 |
|---|----------|-----------------|----------|----------|---|

10 57703558 Klizna spojka Coupler Attache gliss Acople 1 57703448 Nosač klizne spojke Frame Support Marco 1 57703555

Podložka za konus Washer Rondelle Arandela 3

57703556 Opruga za sinhron Spring Ressor Resorte 3 57703557 Čelična loptica Ball Balle Bolita de acero 3

57703444 Konus za sinhronizaciju Cone Cone Cono 2 11 57703433 Prsten zupčanika Ring Bague de pignon Anillo del engranaje 1

12

57703430

Gonjeni zupčanik 4/9 brzine-

Gear 4/9 rate-assy.,

Pignon de rapp. Engranaje, veloc.

-sklop, Z-32

Z-32

4/9-ens. Z-32

4/9 ensamble, Z = 32

1

13

53203610

Kuglični ležaj

Ball bearing

Roulement

Cojinete de bola 1

14

54703403

Gonjeni zupčanik 1/6

Pignon de rapp. 1/6,

Engranaje, veloc. 1/6

brzine, Z—45

Gear 1/6 rate, Z-45

Z-45

Z-45 1

15

56003402

Gonjeni zupčanik 2/7 i

Gear 2/7 and 3/8 rate,

P. de rapp. 2/7 et 3/8,

Engranaje, veloc. 2/7 y

3/8 brzine, Z-46/39

Z-46/39

Z-46/39

3/8, Z-46/39

1

16

53203305

Segerov prsten spoljni

Snap ring - outer Bague seger - ext

Anillo exterior

2

17 53203320 Kuglični ležaj sa karikom . . . Ball bearing Roulement au segment ... Cojinete de bola con aro . 1 18 57703401 Glavno vratilo,

Z-28/18 . . . Main shaft, Z- 28/18 Arbre principal Eje principal, Z = 28/18 . . 1 **19** 53203305 Segerov prsten spoljni Snap ring - outer Bague

seger - ext Anillo exterior 1

20

53203320

kuglični ležaj sa karikom ... Ball bearing

Roulement au segment... Cojinetes de bola con aro .. 1

21

53203304

Pogonski zupčanik 2/7 Engranaje veloc, brzine, Z-23

Gear 2/7 rate, Z-23

Pign. motr.de Z — 23

2/7,

Z - 23 1 22

56003303

Pogonski zupčanik 3/8

P. motr. de rap. 3/8,

Engranaje veloc.

brzine, Z-30

Gear 3/8 rate, Z = 30

Z-30

3/8, Z = 30 1

aux aiguilles ... Cojinete de aguja 1 **25** 53203302 Segerov prsten spoljni Snap ring-outer Bague seger - ext Anillo exterior 1 **26** 54703301 Posredno

vratilo Layshaft Arbte-intermediaire Eje intermediary i

27

53203310

Kuglični ležaj

Ball bearing

Roulement

Cojinete de bola 1

brzine, Z —37

Gear 4/9 rate, Z-37

Z-37

4/9. Z-37

1

29

58703306

Gonjeni zupčanik posrednog

Gear of layshaft, Pign. d'arbre interm.

Engranaje del eje inte-

vratila, Z - 34

Z-34

Z-34

rmediary, Z —34

1

30

53203307

Segerov prsten-spoljni

Snap ring - outer Bague seger - ext

Anillo exterior

1

31

57533901

Priključno vratilo P.T.O. shaft

Arbre de prise de force . . .

Toma de fuerza 1

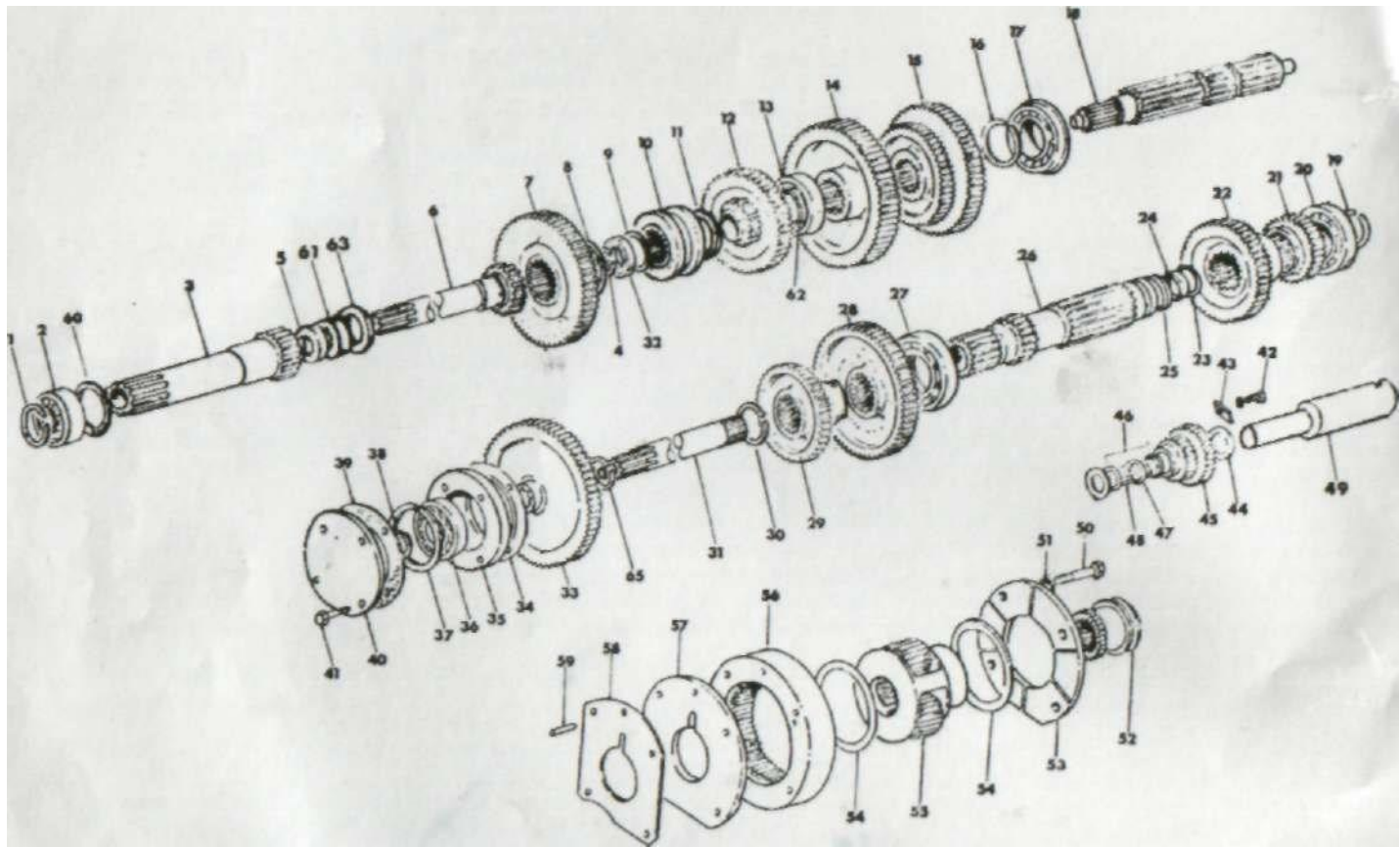
SLIKA 16 - MENJAČ (Sa 10 brzina)

FIGURE 16 - TRANSMISSION (10 speed) RGURE

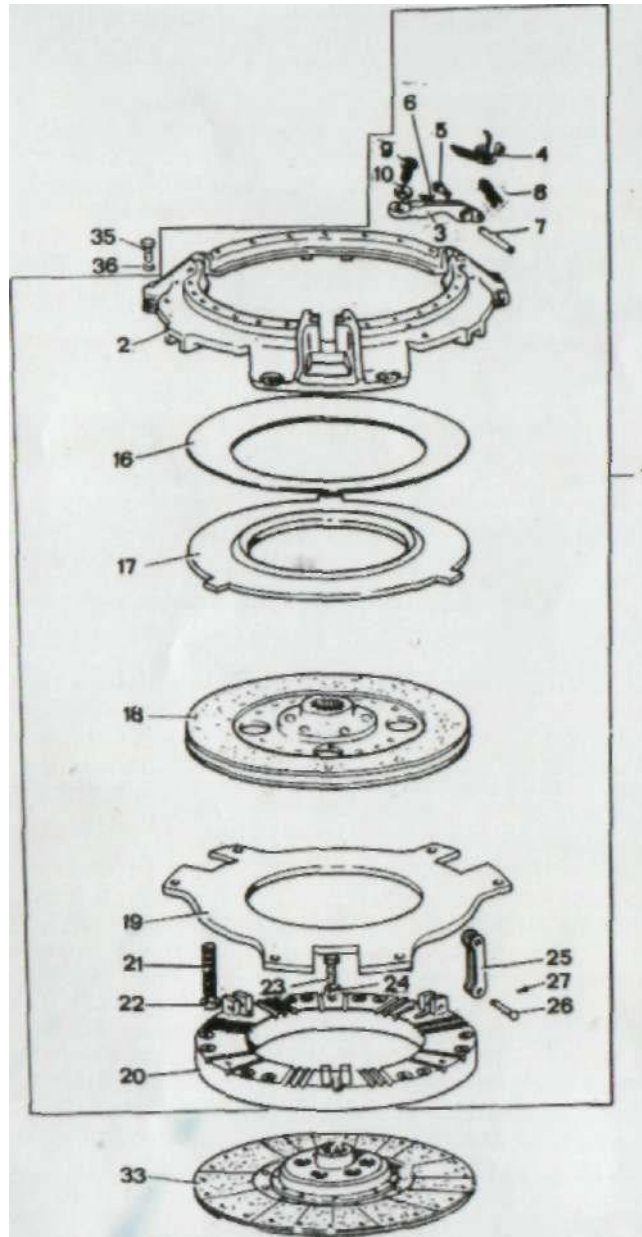
16 - BOITE DE VITESSES (A 10 rapports)

FIGURA 16 - TRANSMISION (10 velocidades)

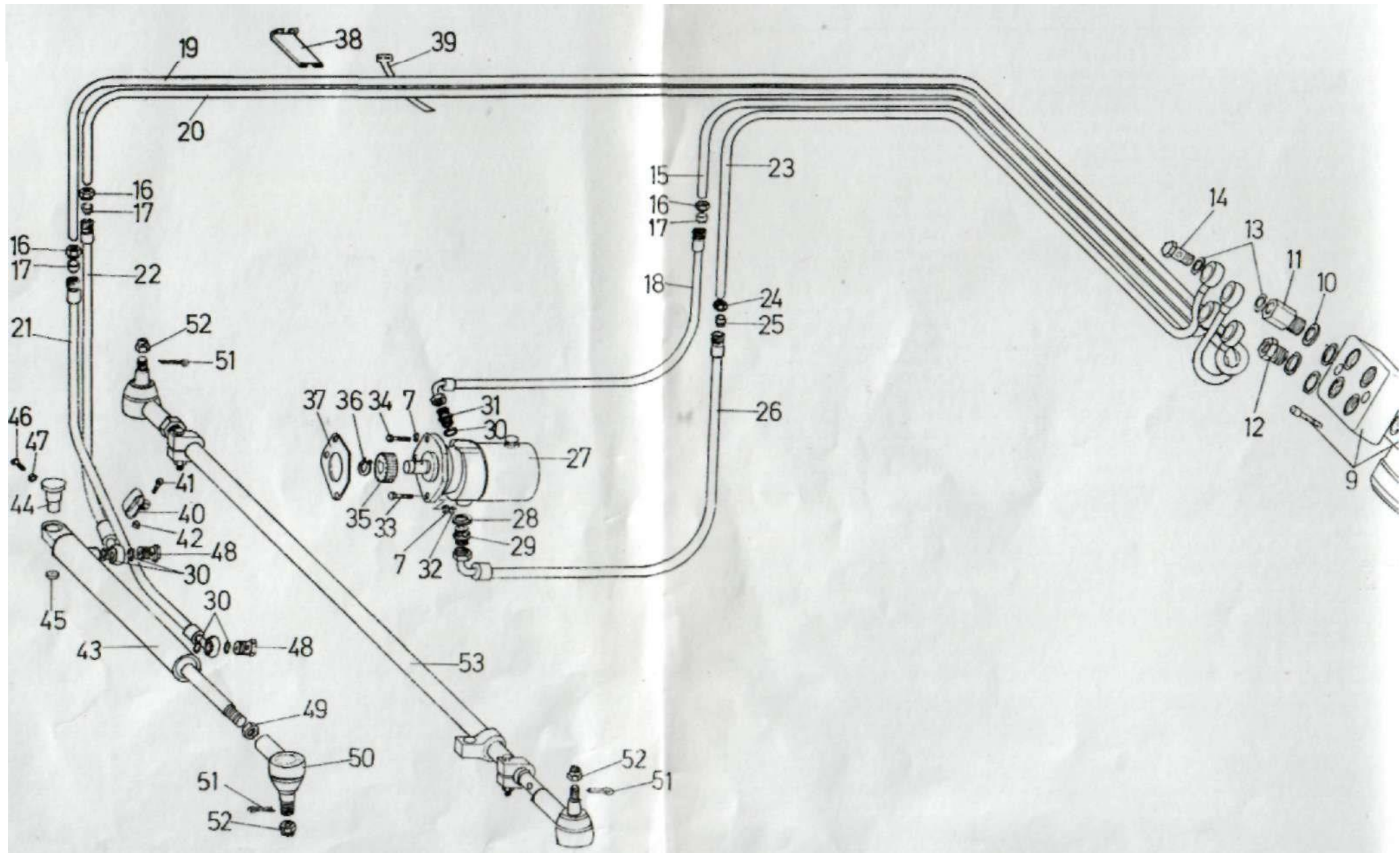
SLIKA 16 - MENJAČ (Sa 10 brzina)
FIGURE 16 - TRANSMISSION (10 speed)
FIGURE 16 - BOITE DE VITESSES (A 10 rapports)
FIGURA 16 - TRANSMISION (10 velocidades)

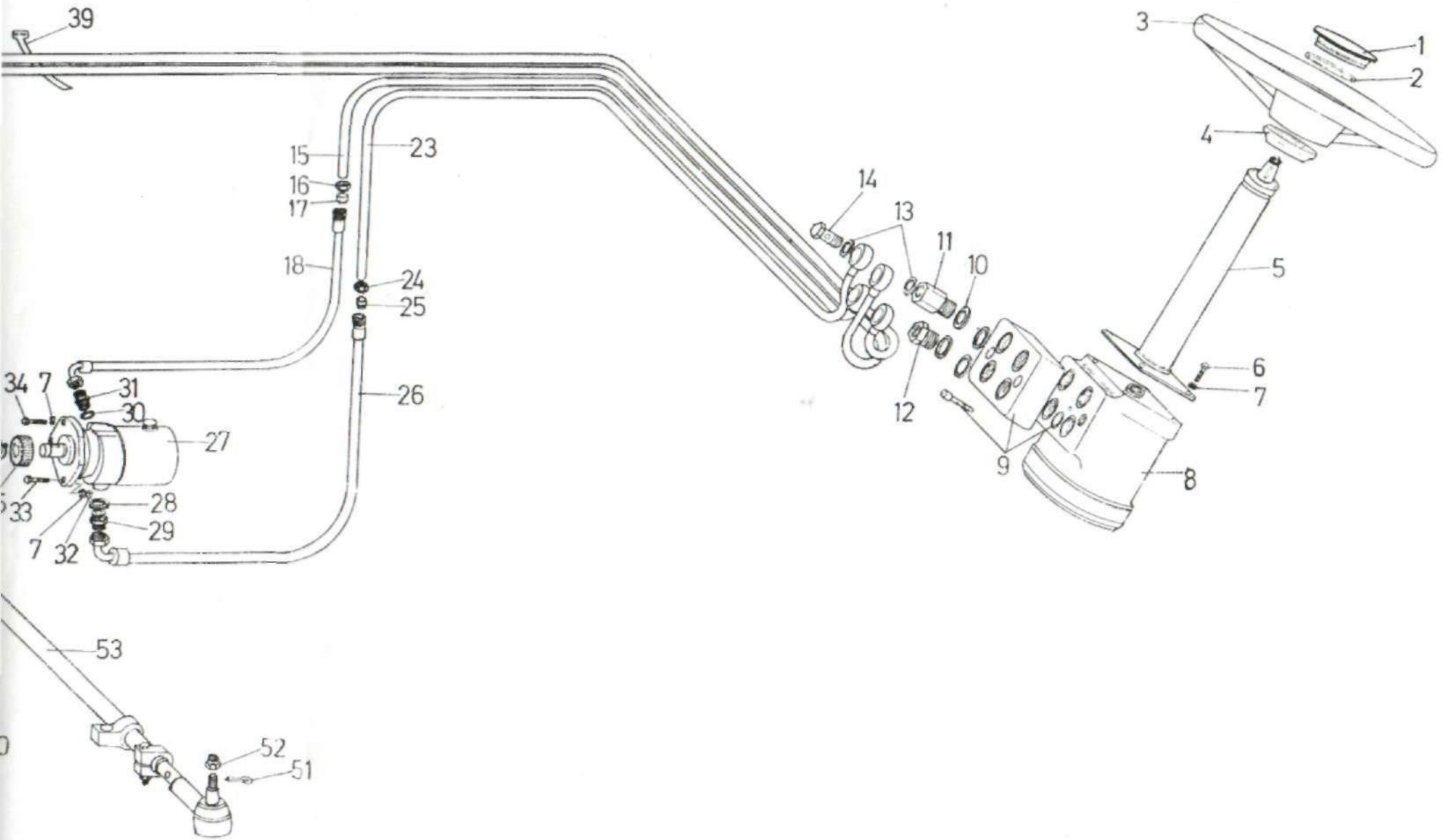


SLIKA 17-SPOJNICA
FIGURE 17-CLUTCH
RGURE 17 - EMBRAYAGE
FIGURA 17-EMBRAGUE



OLIM IO - UKKAVLJAU HIUHUS I AI IUKI FIGURE 18 -
HYDROSTATIC STEERING
FIGURE 18 - DIRECTION HYDROSTATIQUE





HYDROSTATIC STEERING
FIGURE 18 - DIRECTION HYDROSTATIQUE
FIGURA 18 - DIRECCION HIDROSTATICA

SLIKA 18 - UPRAVUAČ HIDROSTATIČKI
FIGURE 18 - HYDROSTATIC STEERING
FIGURE 18 - DIRECTION HYDROSTATIQUE
FIGURA 18 - DIRECCION HIDROSTATICA

Poz.

| Broj dela | Naziv | Description | Designation | Descripcion | Kom. |
|-----------|------------------|----------------------|-----------------|------------------|------|
| | Znak zaštitni | Emblem | Embleme | Emblema | 1 |
| | Osigurač žičani | Circlip | Epingle | Pasador elastico | 1 |
| | Volan | Steering wheel | Volant | Volante | 1 |
| | Prsten gumeni | Collar | Bague en gomme | Aro de goma | 1 |
| | Osovina volana | Steering column tube | Colonne | Columna | 1 |
| | Vijak | Bolt | Vis | Tornillo | 4 |
| | Podloška el | Spring washer | Rondelle | Arandela | 7 |
| | Razvodnik obrtni | Rotary control valve | Distributeur | Distribuidor | 1 |
| | Ploča ventilska | Valve plate | Plaque | Raca | 1 |
| | Obuhvata: | Includes: | Comprend: | Incluye: | |
| | Vijak | Bolt | Vis | Tornillo | 2 |
| | Zaptivka 022x2 | Gasket 022x2 | Joint 022x2 | Junta 022x2 | 2 |
| | Zaptivka | Gasket | Joint | Junta | 4 |
| | Priključak | Connector | Raccord | Conexion | 2 |
| | Priključak | Connector | Raccord | Conexion | 2 |
| | Zaptivka | Gasket | Joint | Junta | 8 |
| | Vijak šuplji | Bolt | Boulon | Tornillo | 4 |
| | Cev sklop | Pipe, Assy | Tuyau, ass | Manguera, conj | 1 |
| | Navrtka | Nut | Ecrou | Tuerca | 3 |
| | Prsten usečni | Ring | Segment | Aro | 3 |
| | Cev gumena | Hose | Tuyau | Manguera | 1 |
| | Cev sklop | Pipe, Assy | Tube, ass | Caho, conj | 1 |
| | Cev sklop | Pipe, Assy | Tube, ass | Caho, conj | 1 |
| | Cev gumena | Hose | Tuyau | Manguera | 1 |
| | Cev gumena | Hose | Tuyau | Manguera | 1 |
| | Cev sklop | Pipe, Assy | Tube, ass | Caho, conj | 1 |
| | Navrtka | Nut | Ecrou | Tuerca | 1 |
| | Prsten usečni | Ring | Segment | Aro | 1 |
| | Cev gumena | Hose | Tuyau | Manguera | 1 |
| | Pumpa | Pump | Pompe | Bomba | 1 |
| | Zaptivka | Gasket | Joint | Junta | 1 |
| | Priključak | Connector | Raccord | Conexion | 1 |
| | Zaptivka | Gasket | Joint | Junta | 5 |
| | Priključak | Connector | Raccord | Conexion | 1 |
| | Navrtka | Nut | Ecrou | Tuerca | 1 |
| | Vijak | Bolt | Vis | Tornillo | 1 |
| | Vijak | Bolt | Vis | Tornillo | 2 |
| | Zupčanik | Gear | Engrenage | Engranaje | 1 |
| | Prsten uskočni | Snap ring | Circlip | Aro reten | 1 |
| | Zaptivka | Gasket | Joint | Junta | 1 |
| | Profil gumeni | Rubber profile | Profil en gomme | Burlete de goma | 1 |
| | Stega | Clamp | Collier | Abrazadera | 1 |
| | Obujmica metalna | Clamp | Collier | Abrazadera | 1 |

broj

| | | | | |
|---|---------------|------------|------------|----------|
| 1 | 56005120 2 | 56005103 3 | 56005101 4 | 54005178 |
| 5 | 51501464 | | | |
| 6 | tS2101-M10x25 | | | |
| 7 | IS 2281-10 | | | |
| 8 | 51505980 | | | |
| 9 | 51506010 | | | |

JUS M.B1.120-M10x4!

| | | | | |
|----|------------------------|-----------------|---------------------|----------|
| 10 | JUS M.C4.500-A22x27 | | | |
| 11 | 51501347 | | | |
| 12 | 51501346 | | | |
| 13 | JUSM.C4.500-A16x2C | | | |
| 14 | JUSM.B6.883-12 | | | |
| 15 | 51508710 | | | |
| 16 | JUSM.B1.862-T12 | | | |
| 17 | JUSM.B6.716-T12 | | | |
| 18 | 51500756 | | | |
| 19 | 51508690 | | | |
| 20 | 51508700 21 | 51500386 22 | 51500385 23 | 51508720 |
| 24 | JUSM.B1.862-L12 | | | |
| 25 | JUSM.B6.716-L12 | | | |
| 26 | 51500755 27 | (A) 57505480 28 | JUS M.C4.500-A16X2: | |
| 29 | JUS M.B6.720-A-L12& | | | |
| 30 | JUS M.C4.500-A14x2(| | | |
| 31 | 51500757 32 IS2171-M10 | | | |
| 33 | IS 2101-M 10x45 | | | |
| 34 | IS 2101-M 10x65 | | | |
| 35 | (A) 57505472 | | | |
| 36 | (A) JUS M.C2.401-15 | | | |
| 37 | 57505002 | | | |
| 38 | | | | |
| 39 | 51501661 | | | |
| 40 | 51500148 | | | |

51501459

oi-irv-i io — urrinjujv^ iMWiivwimiwiv RGURE 18 -
HYDROSTATIC STEERING

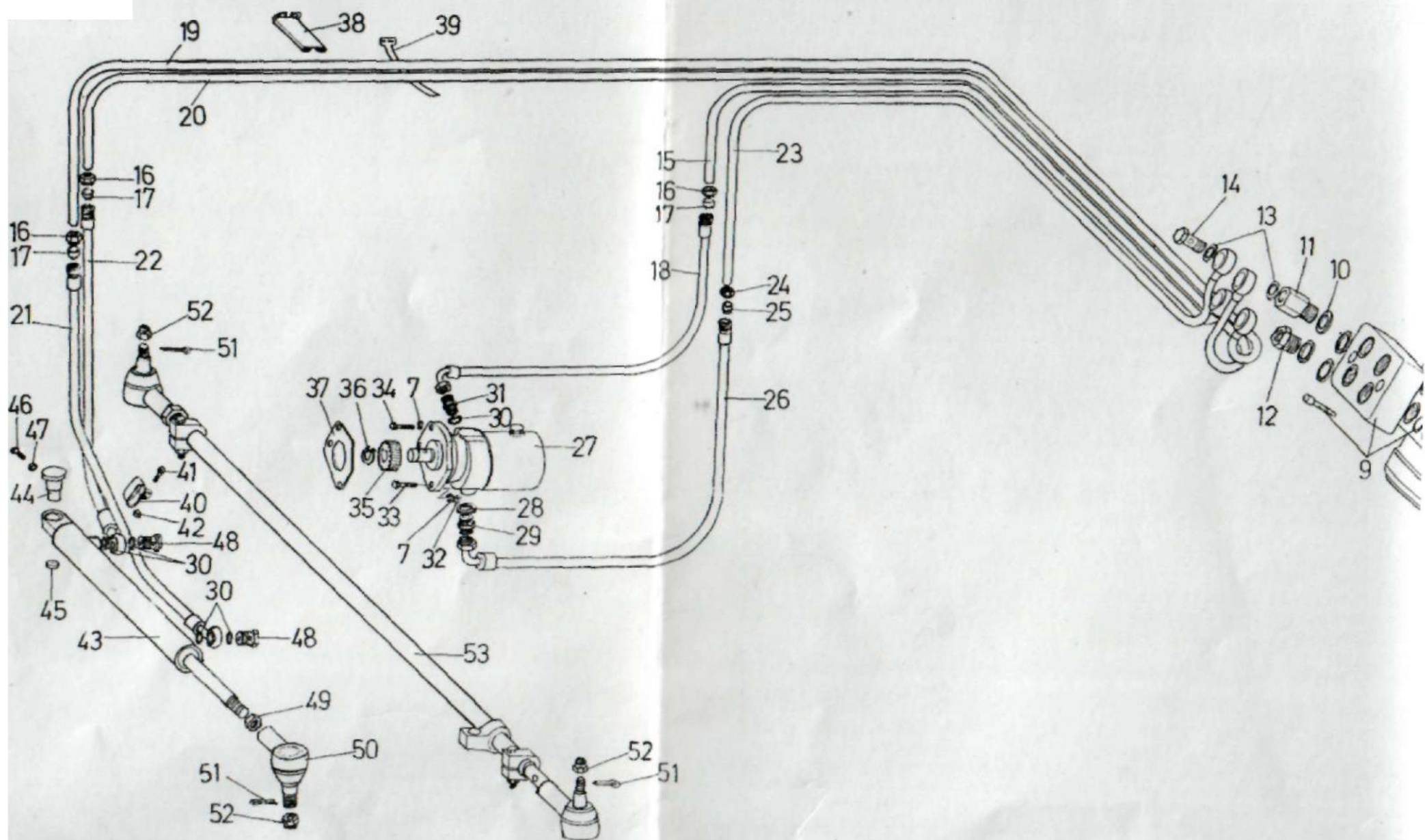
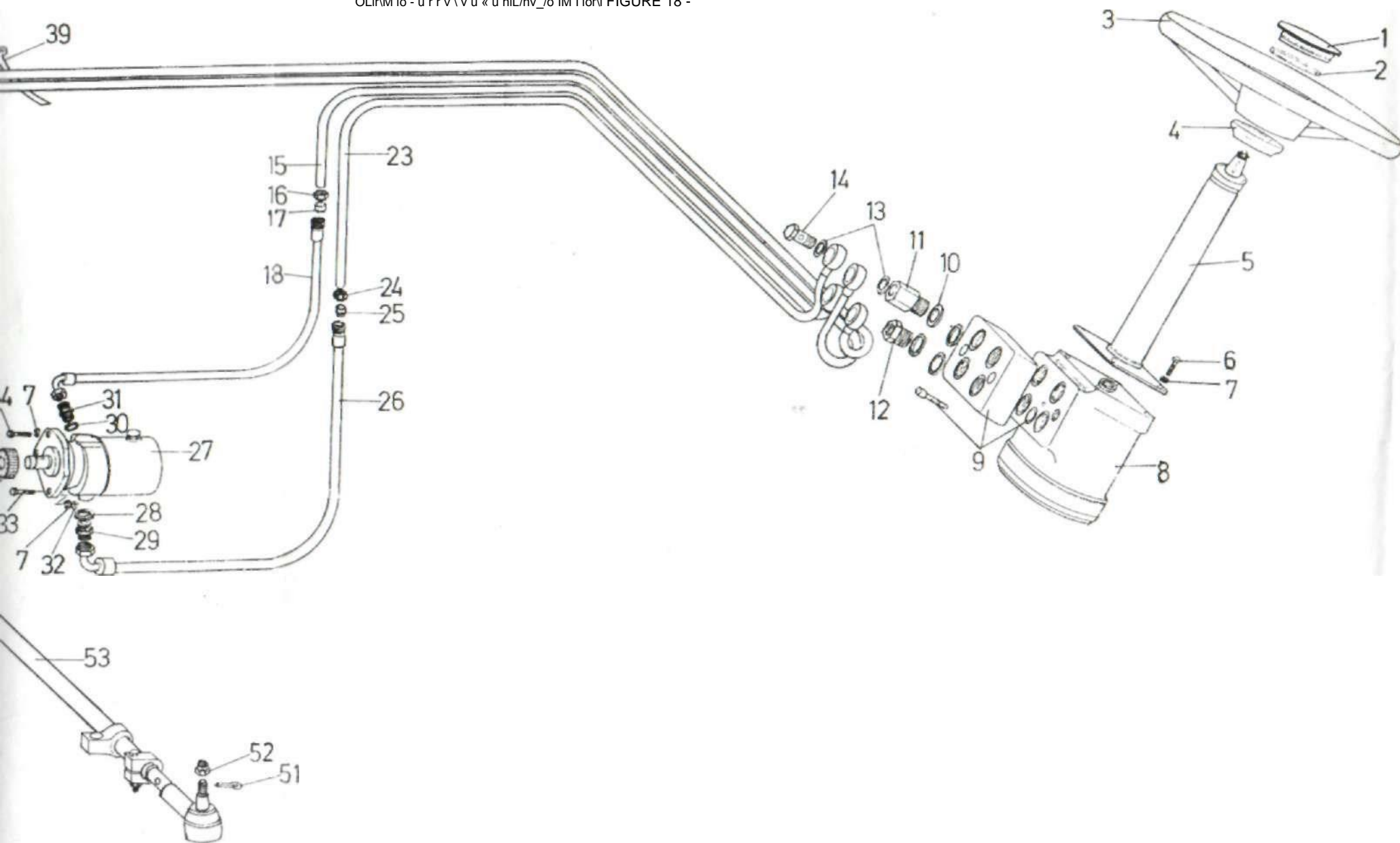


FIGURA 18 - DIRECCION HIDROSTATICA

J

OLiM io - u r r v \ v u « u niL/nv_ o IM I ior ti FIGURE 18 -



HYDROSTATIC STEERING
FIGURE 18 - DIRECTION HYDROSTATIQUE
FIGURA 18 - DIRECCION HIDROSTATICA

SLIKA 18 - UPRAVLJAČ HIDROSTATIČKI
 FIGURE 18 - HYDROSTATIC STEERING
 FIGURE 18 - DIRECTION HYDROSTATIQUE
 FIGURA 18 - DIRECCION HIDROSTATICA

| Poz. broj | Broj dela | Naziv | Description | Designation | Descripcion | Kom. |
|-----------|----------------------|--------------|-------------|-----------------|---------------|------|
| 41 | JUSM.B1.100-M6x15 | Tip 1 | | | | |
| | | Vijak | Bolt | Vis | Tornillo | 1 |
| 42 | IS2171-M6 | Navrtka | Nut | Ecrou | Tuerca | 1 |
| 43 | 51509050 | | Cylinder | Cylindre | Cilindro | 1 |
| | | Cilindar | Pin | Axe | Perno | 1 |
| 44 | 51500372 | | Bushing | Bague | Buje | 1 |
| | | | Bolt | Vis | Tornillo | 1 |
| | | | Nut | Ecrou | Tuerca | 1 |
| | | Vijak šuplji | Bolt | Boulon | Tornillo | 2 |
| | | Navrtka | Nut | Ecrou | Tuerca | 1 |
| | | Zglob | Joint | Joint | Articulacion | 1 |
| | | Rascepka | Cotter pin | Goupille fendue | Pasador doble | 3 |
| | | | Nut | Ecrou | Tuerca | 3 |
| | | | Link-Assy | Manille, ass | Eslabón. conj | 1 |
| | | Osovinica | | | | |
| 45 | 51500371 | Čaura | | | | |
| 46 | JUS M.B1.071-M8x25 | Vijak | | | | |
| 47 | IS2171-M8 | Navrtka | | | | |
| 48 | JUS M.B6.883-10 | | | | | |
| 49 | IS2175-M20x1,5 | | | | | |
| 50 | 51500903 | | | | | |
| 51 | IS 2291-3x25 | | | | | |
| 52 | JUS M.B1.632-M14x1,5 | Navrtka | | | | |
| 53 | 51502120 | Spona-sklop | | | | |

NAPOMENE: (A) Poručiti kao sklop br 5705470 MOTES: Order as assy No 57505470

NOTES: Commender comme ass No 57505470
 NOTAS: Pedir como conjunto Np 57505470

UJL/UM UJI

FIGURE 18/1 - HYDROSTATIC STEERING (ZF)

FIGURE 18/1 - DIRECTION HYDROSTATIQUE (ZF)

FIGURA 18/1 - DIRECCION HIDROSTATICA (ZF)

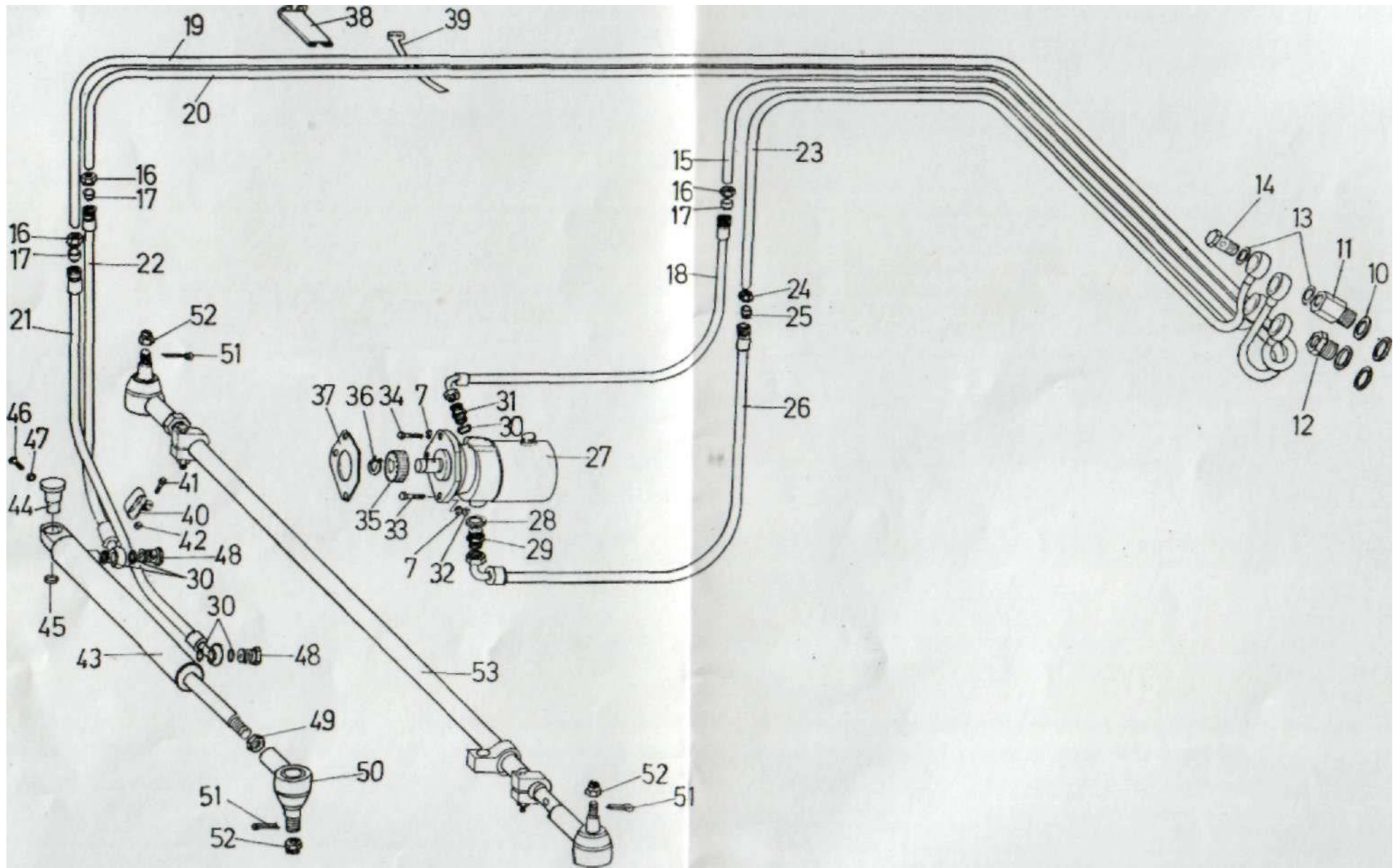


FIGURE 18/1 - HYDROSTATIC STEERING (ZF)

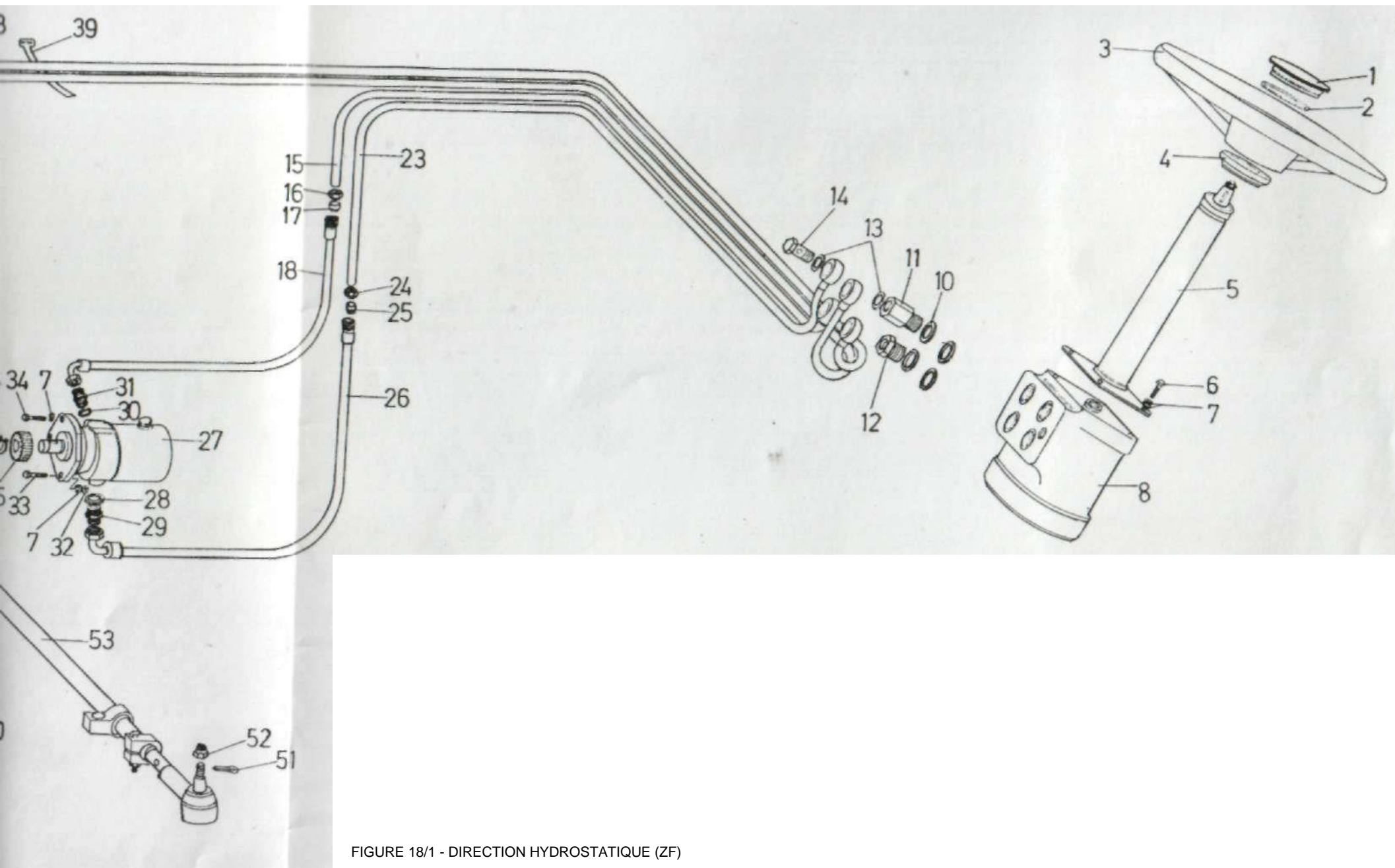


FIGURE 18/1 - DIRECTION HYDROSTATIQUE (ZF)

FIGURA 18/1 - DIRECCION HIDROSTATICA (ZF)

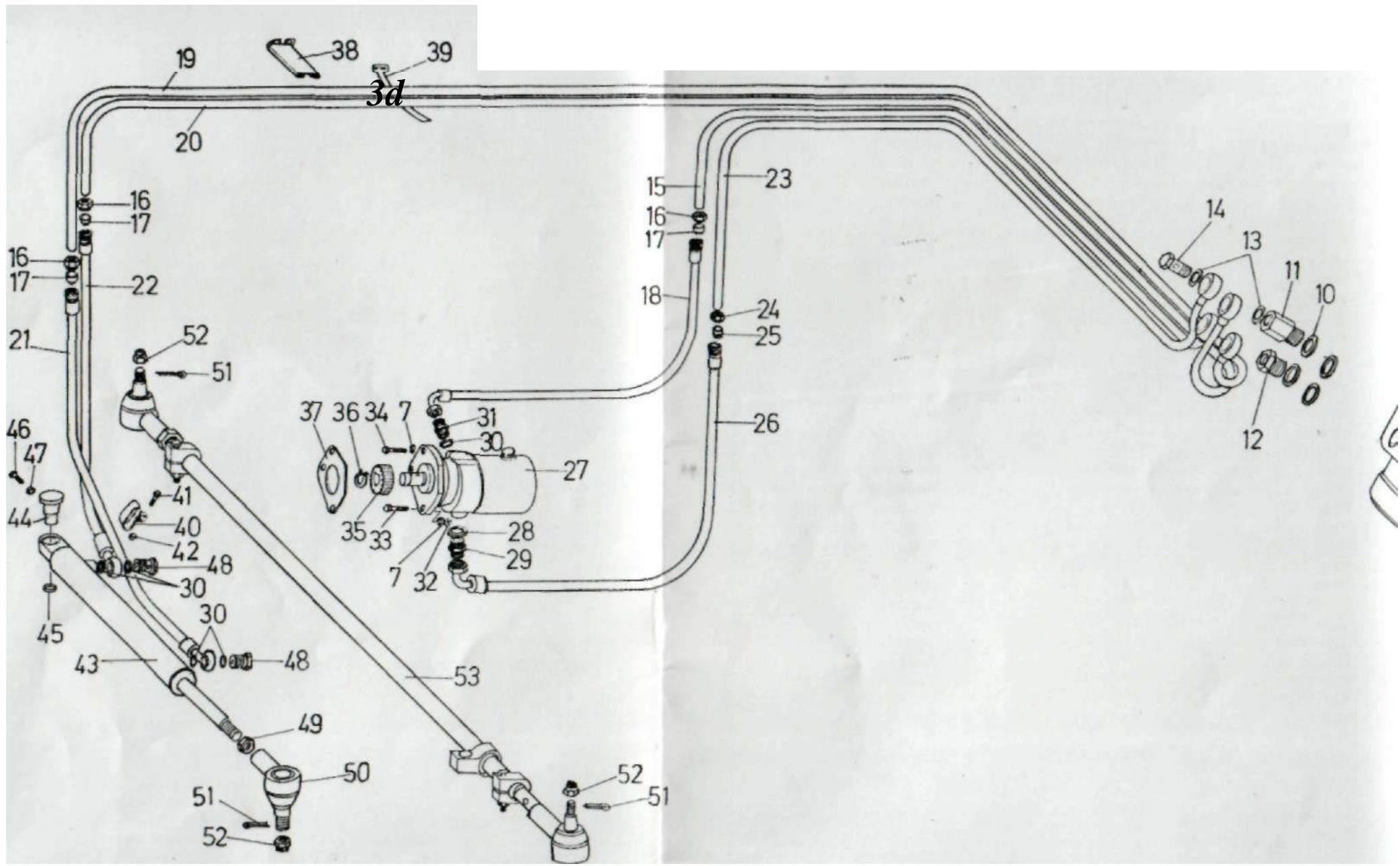
SLIKA 18/1 - UPRAVLJAČ HIDROSTATIČKI (ZF)
FIGURE 18/1 - HYDROSTATIC STEERING (ZF)
FIGURE 18/1 - DIRECTION HYDROSTATIQUE (ZF)
FIGURA 18/1 - DIRECCION HIDROSTATICA (ZF)

| Poz. broj | Broj dela | Naziv | Description | Designation | Descripcion | Kom. |
|-----------|-----------|-------|-------------|-------------|-------------|------|
| 1 | 56005120 | | | | | |
| 2 | 56005103 | | | | | |

| | | | | |
|------------------|----------------------|-----------------|------------------|---|
| Znak zaštitni | Emblem | Embleme | Emblema | 1 |
| Osigurač žičani | Circlip | Epingle | Pasador elastica | 1 |
| | Steering wheel | Volant | Volante | 1 |
| Prsten gumeni | Collar | Bague en gomme | Aro de goma | 1 |
| Osovina volana | Steering column tube | Colonne | Columna | 1 |
| | Bolt | Vis | Tornillo | 4 |
| Podloška el | Washer-flexible | Rondelle | Arandela | 4 |
| Podloška | Washer | Rondelle | Arandela | 4 |
| Razvodnik obrtni | Rotary control valve | Distributeur | Distribuidor | 1 |
| Zaptivka | Gasket | Joint | Junta | 4 |
| Priključak duži | Connector, long | Raccord | Conexion | 2 |
| Priključak kraći | Connector, short | Raccord | Conexion | 2 |
| Zaptivka | Gasket | Joint | Junta | 8 |
| Vijak šuplji | Bolt | Boulon | Tornillo | 4 |
| | Pipe | Tube | Cano | 1 |
| | Nut | Ecrou | Tuerca | 3 |
| Prsten usečni | Ring | Segment | Aro | 3 |
| Cev gumena | Hose | Tuyau | Manguera | 1 |
| Cev gumena | Hose | Tuyau | Manguera | 1 |
| Cev gumena | Hose | Tuyau | Manguera | 1 |
| Cev gumena | Hose | Tuyau | Manguera | 1 |
| Cev gumena | Hose | Tuyau | Manguera | 1 |
| Cev gumena | Hose | Tuyau | Manguera | 1 |
| Navrtka | Nut | Ecrou | Tuerca | 1 |
| Prsten usečni | Ring | Segment | Aro | 1 |
| Cev gumena | Hose | Tuyau | Manguera | 1 |
| Pumpa | Pump | Pompe | Bomba | 1 |
| Zaptivka | Gasket | Joint | Junta | 1 |
| Priključak | Connector | Raccord | Conexion | 1 |
| Zaptivka | Gasket | Joint | Junta | 5 |
| Priključak | Connector | Raccord | Conexion | 1 |
| Navrtka | Nut | Ecrou | Tuerca | 1 |
| Vijak | Bolt | Vis | Tornillo | 1 |
| Vijak | Bolt | Vis | Tornillo | 2 |
| Zupčanik | Gear | Engrenage | Engranaje | 1 |
| Prsten uskočni | Circlip | Circlip | Aro reten | 1 |
| Zaptivka | Gasket | Joint | Junta | 1 |
| Profil gumeni | Rubber profile | Profil en gomme | Burlete de goma | 1 |
| | Clamp | Collier | Abrazadera | 1 |
| Obujmica metalna | Clip | Collier | Abrazadera | 1 |
| | Bolt | Vis | Tornillo | 1 |
| Navrtka | Nut | Ecrou | Tuerca | 1 |
| Cilindar | Cylinder | Cylindre | Cilindro | 1 |

4 **54005178**
5 51501998
6 JUS M.B1 054-M8x25 Vijak
7 IS 2281-8
 IS 2272-8
8 51501957
10 JUS M.C4.500-A18x2'
11 51502016
12 51502017
13 JUSM.C4.500-A16x2(
14 JUS M.B6.883-12
15 51502013 Cev
16 JUS M.B1.862-T12 Navrtka
17 JUSM.B6.716-T12
18 51500756 19 51502007
20 51502008 21 51500386
22 51500385
23 51502014
24 JUS M.B1.862-L12
25 JUSM.B6.716-L12
26 51500755
27 (A) 57505480
28 JUS M.C4.500-A 16x2:
29 JUS M.B6.720-A-L12³⁰ JUS M.C4.500-A14x2
31 51500757
32 IS2171-M10
33 IS2101-M10x45
34 IS 2101-M 10x65 ³⁵ -(A) 57505472
36 (A) JUS M.C2.401-1E
37 57505002 ³⁸ 51501661
39 51500148 Stega
40
41 51501459
 JUSM.B1.100-M
 6x15-Tip1 Vijak
42 IS2171-M6
43 51509050

SLIKA 18/1 - UHHAVALJAC HIDROSTATICKI (ZF)
FIGURE 18/1 - HYDROSTATIC STEERING (ZF)
FIGURE 18/1 - DIRECTION HYDROSTATIQUE (ZF)
FIGURA 18/1 - DIRECCION HIDROSTATICA (ZF)



SLIKA 18/1 - UPRAVLJAČ HIDROSTATICKI (ZF)

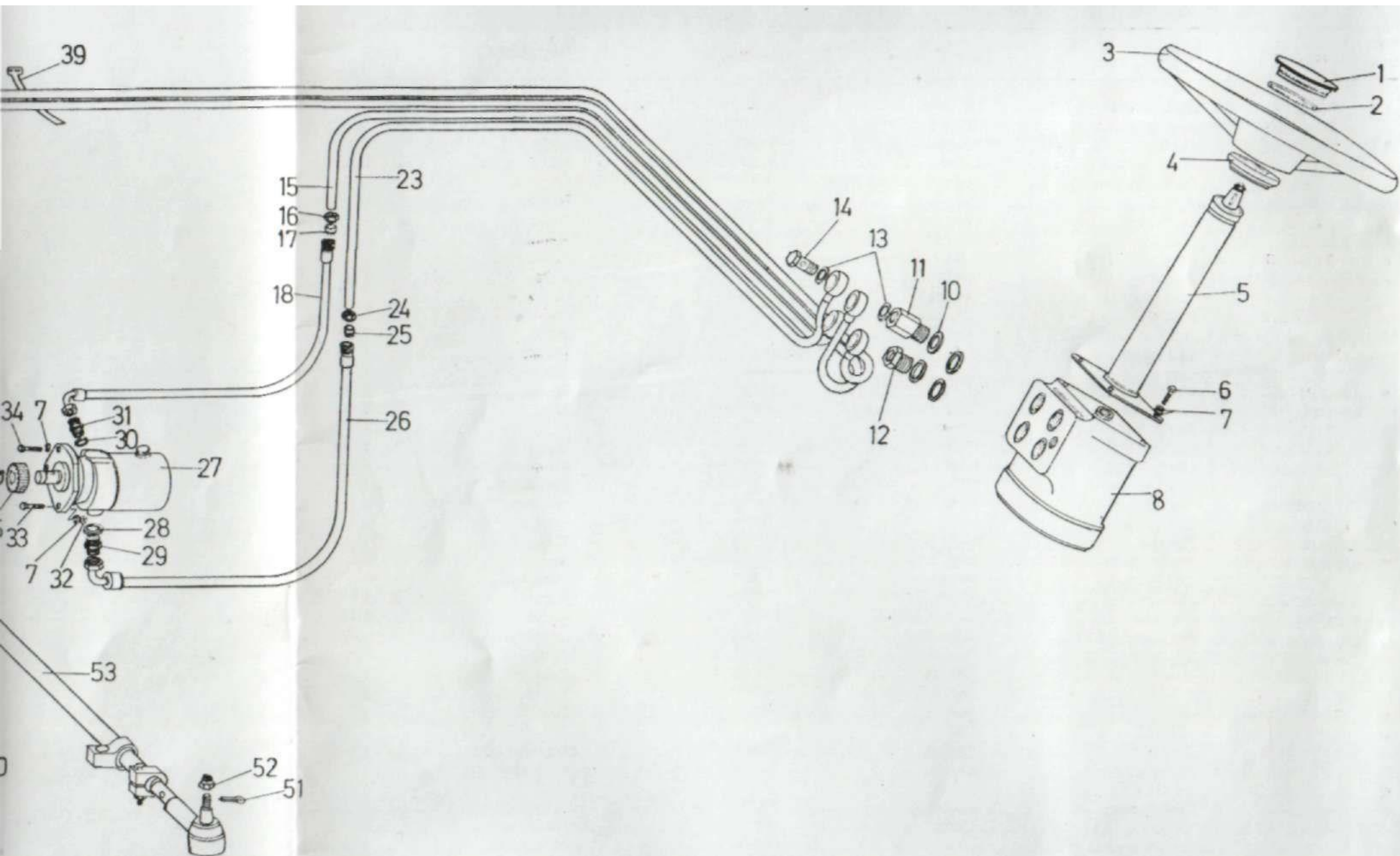


FIGURE 18/1 - HYDROSTATIC STEERING (ZF)

FIGURE 18/1 - DIRECTION HYDROSTATIQUE (ZF)
FIGURA 18/1 - DIRECCION HIDROSTATICA (ZF)

SLIKA 18/1 - UPRAVLJAČ HIDROSTATIČKI (ZF)
 FIGURE 18/1 - HYDROSTATIC STEERING (ZF) FIGURE
 18/1 - DIRECTION HYDROSTATIQUE (ZF)
 FIGURA 18/1 - DIRECCION HIDROSTATICA (ZF)

| Poz. broj | Broj dela | Naziv | Description | Designation | Descripcion | Kom. |
|--------------|----------------------|--------------|-------------|-----------------|---------------|------|
| 44 | 51500372 | Osovinica | Pin | Axe | Perno | .1 |
| 45 | 51500371 | Čaura | Bushing | Bague | Buje | .1 |
| 46 | JUS M.B1.071-M8x25 | Vijak | Bolt | Vis | Tornillo | .1 |
| 47 | IS2171-M8 | Navrtka | Nut | Ecrou | Tuerca | .1 |
| 48 | JUS M.B6883-10 | Vijak šuplji | Bolt | Boulon | Tornillo | .1 |
| 49 | IS2175-M20x1,5 | Navrtka | Nut | Ecrou | Tuerca | .2 |
| 50 | 51500903 | Zglob | Joint | Joint | Articulation | .1 |
| 51 | IS 2291-3x25 | Rascepka | Cotter pin | Goupille fendue | Pasador doble | .3 |
| 52 | JUS M.B1.632-M14x1,5 | Navrtka | Nut | Ecrou | Tuerca | .3 |
| 53 | 51502120 | Spona-sklop | Link-Assy | Manille ass | Eslabon. conj | .1 |

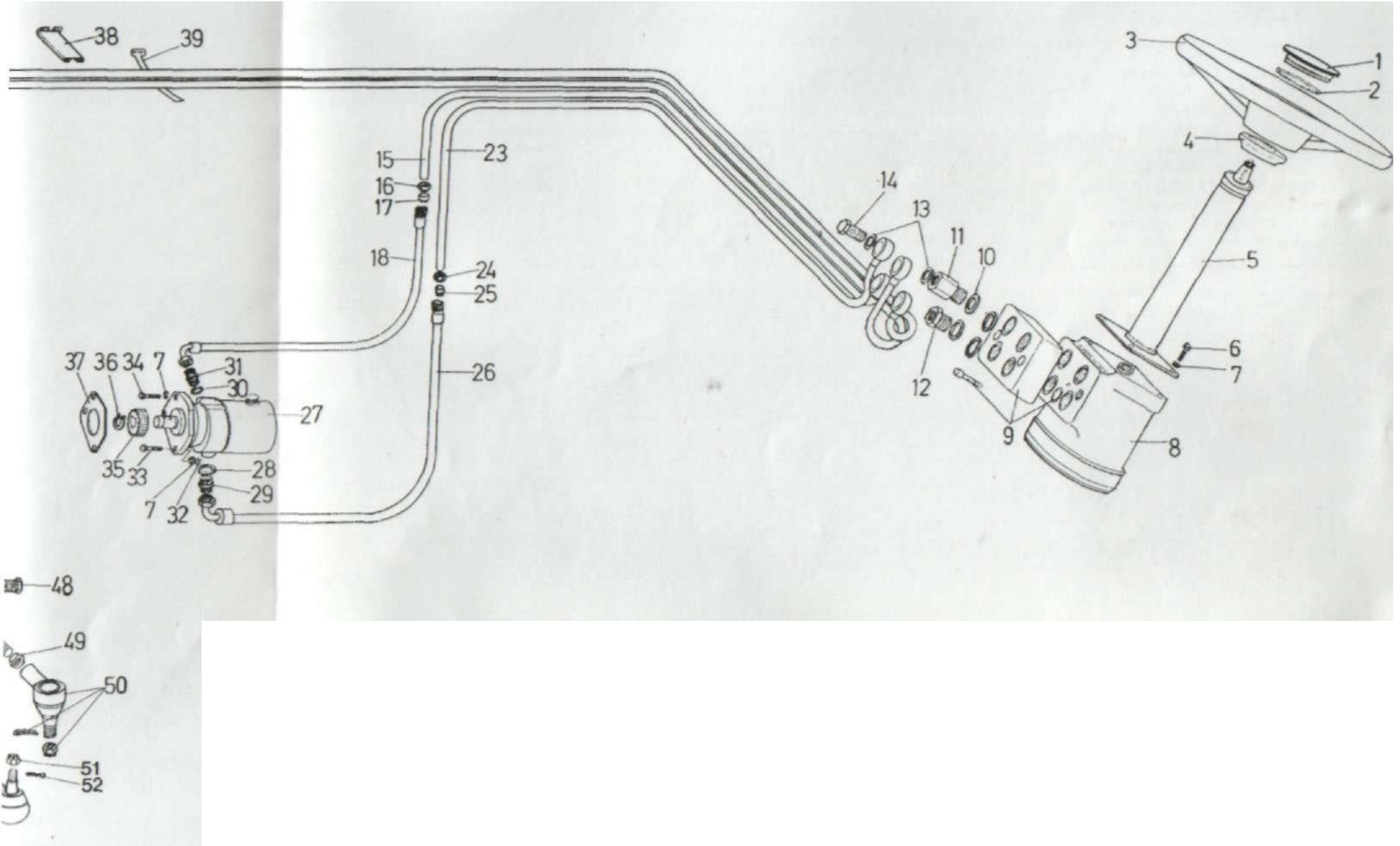
NAPOMENE: (A) Poručiti kao sklop br 57505470
 NOTES: Order as assy No 57505470

NOTES: Commender comme ass No 57505470

NOTAS: Pedir como conjunto No 57505470

SLIKA 19 - UPRAVUAČ HIDROSTATICKI (DV)
FIGURE 19 - HYDROSTATIC STEERING (DV)
FIGURE 19 - DIRECTION HYDROSTATIQUE (DV)

FIGUR

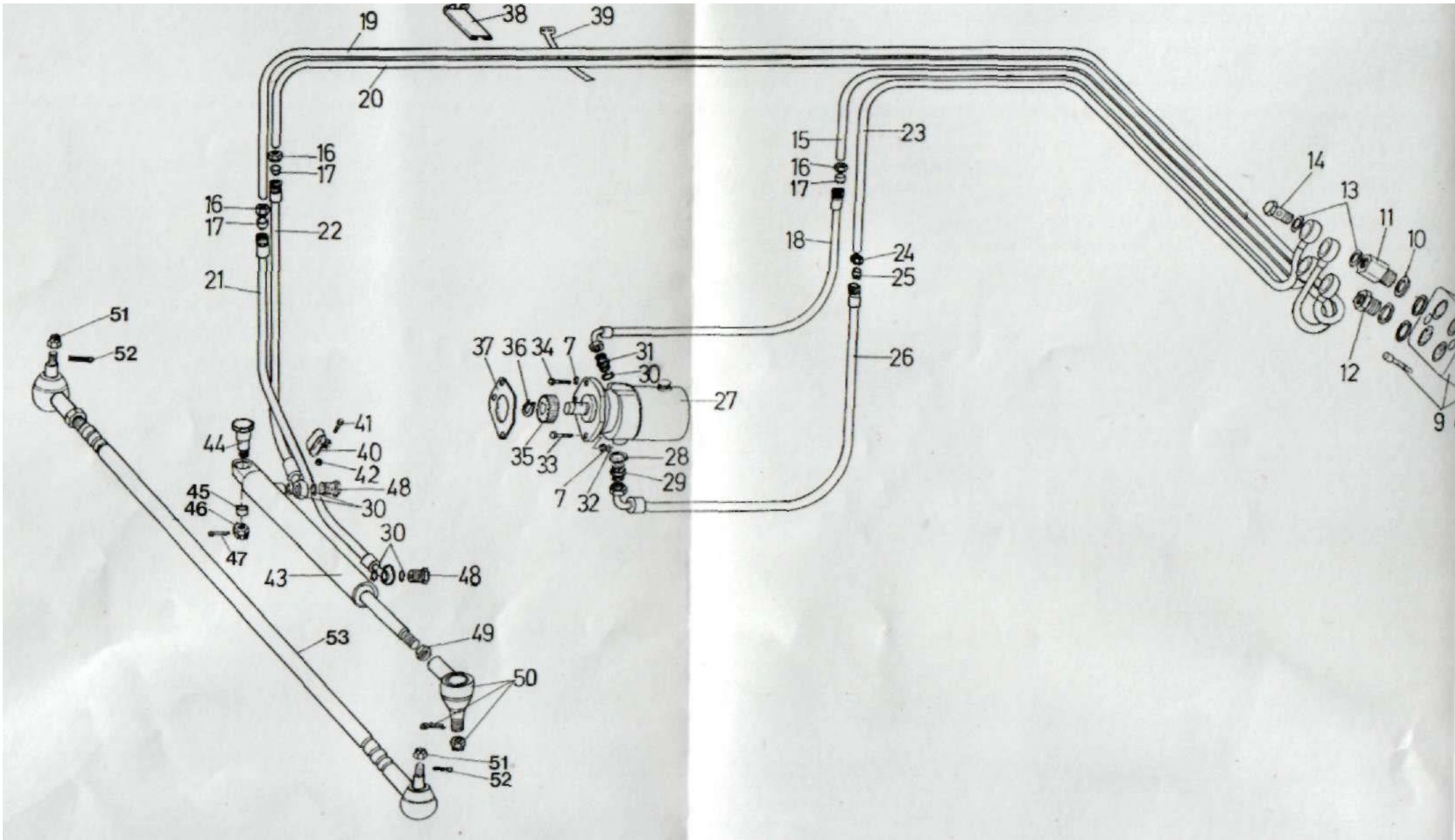


A 19 - DIRECCION HIDROSTATICA (DV)

#

SLIKA 19 - UPRAVUAČ HIDROSTATIČKI (DV)
FIGURE 19 - HYDROSTATIC STEERING (DV)
FIGURE 19 - DIRECTION HYDROSTATIQUE (DV)

FIGURA 19 - DIRECCION HIDROSTATICA (DV)



RR

SLIKA 19 - UPRAVLJAČ HIDROSTATIČKI (DV)
FIGURE 19 - HYDROSTATIC STEERING (DV)
FIGURE 19 - DIRECTION HYDROSTATIQUE (DV)
FIGURA 19 - DIRECCION HIDROSTATICA (DV)

| Poz. | Kom. broj | Broj dela | Naziv | Description | Designation | Descripcion |
|-------------|------------------|------------------|--------------|-------------|-------------|-------------|
|-------------|------------------|------------------|--------------|-------------|-------------|-------------|

| | | | | |
|----------------------------|--------------------------------|---------------------------|----------------------------|---|
| Znak zaštitni | Emblem | Embleme | Emblema | 1 |
| Osigurač žičani | Circlip | Epingle | Pasador elastico | 1 |
| Volan | Steering wheel | Volant | Volante | 1 |
| Prsten gumeni | Collar | Bague en gomme | Aro de goma | 1 |
| Osovina volana | Steering column tube | Colonne | Columna | 1 |
| Zavrtanj | Bolt | Vis | Tornillo | 4 |
| Podloška opružna | Spring washer | Rondelle | Arandela | 7 |
| Razvodnik obrtni | Rotary control valve | Distributeur | Distribuidor | 1 |
| Ploča ventilska | Valve plate | Plaque | Placa | 1 |
| Obuhvata: | Includes: | Comprend: | Incluye: | |
| Zavrtanj | Bolt | Vis | Tornillo | 2 |
| Zaptivka 022x2 | Gasket 022x2 | Joint 022x2 | Junta 022x2 | 4 |
| Zaptivka | Gasket | Joint | Junta | 4 |
| Priključak | Connector | Raccord | Conexion | 2 |
| Priključak | Connector | Raccord | Conexion | 2 |
| Zaptivka | Gasket | Joint | Junta | 8 |
| Vijak šuplji | Bolt | Boulon | Tornillo | 1 |
| Cev-sklop | Pipe-Assy | Tube, ass | Caho, conj | 1 |
| Navrtka | Nut | Ecrou | Tuerca | 3 |
| Prsten usečni | Ring | Segment | Aro | 3 |
| Cev gumena | Hose | Tuyau | Manguera | 1 |
| Cev sklop | Pipe, Assy | Tube, ass | Caho, conj | 1 |
| Cev sklop | Pipe, Assy | Tube | Cano | 1 |
| Cev gumena | Hose | Tuyau | Manguera | 1 |
| Cev gumena | Hose | Tuyau | Manguera | 1 |
| Cev sklop | Pipe, Assy | Tube | Caho | 1 |
| Navrtka | Nut | Ecrou | Tuerca | 1 |
| Prsten usečni | Ring | Segment | Aro | 1 |
| Cev gumena | Hose | Tuyau | Manguera | 1 |
| Pumpa | Pump | Pompe | Bomba | 1 |
| Zaptivka | Gasket | Joint | Junta | 1 |
| Priključak | Connector | Raccord | Conexion | 1 |
| Zaptivka | Gasket | Joint | Junta | 5 |
| Priključak | Connector | Raccord | Conexion | 1 |
| Navrtka | Nut | Ecrou | Tuerca | 1 |
| Zavrtanj | Bolt | Vis | Tornillo | 1 |
| Zavrtanj | Bolt | Vis | Tornillo | 2 |
| Zupčanik | Gear | Engranage | Engranaje | 1 |
| Prsten uskočni | Snap ring | Circlip | Aro reten | 1 |
| Zaptivka | Gasket | Joint | Junta | 1 |
| Profil gumeni | Rubber profile | Profil en gomme | Burlete de goma | 1 |
| Stega | Clamp | Collier | Abrazadera | 1 |
| Obujmica metalna | Clip | Collier | Abrazadera | 1 |
| US M.B1.100-M6x15tip1 | Zavrtanj | Bolt | Vis | 1 |
| | | | Tornillo | 1 |

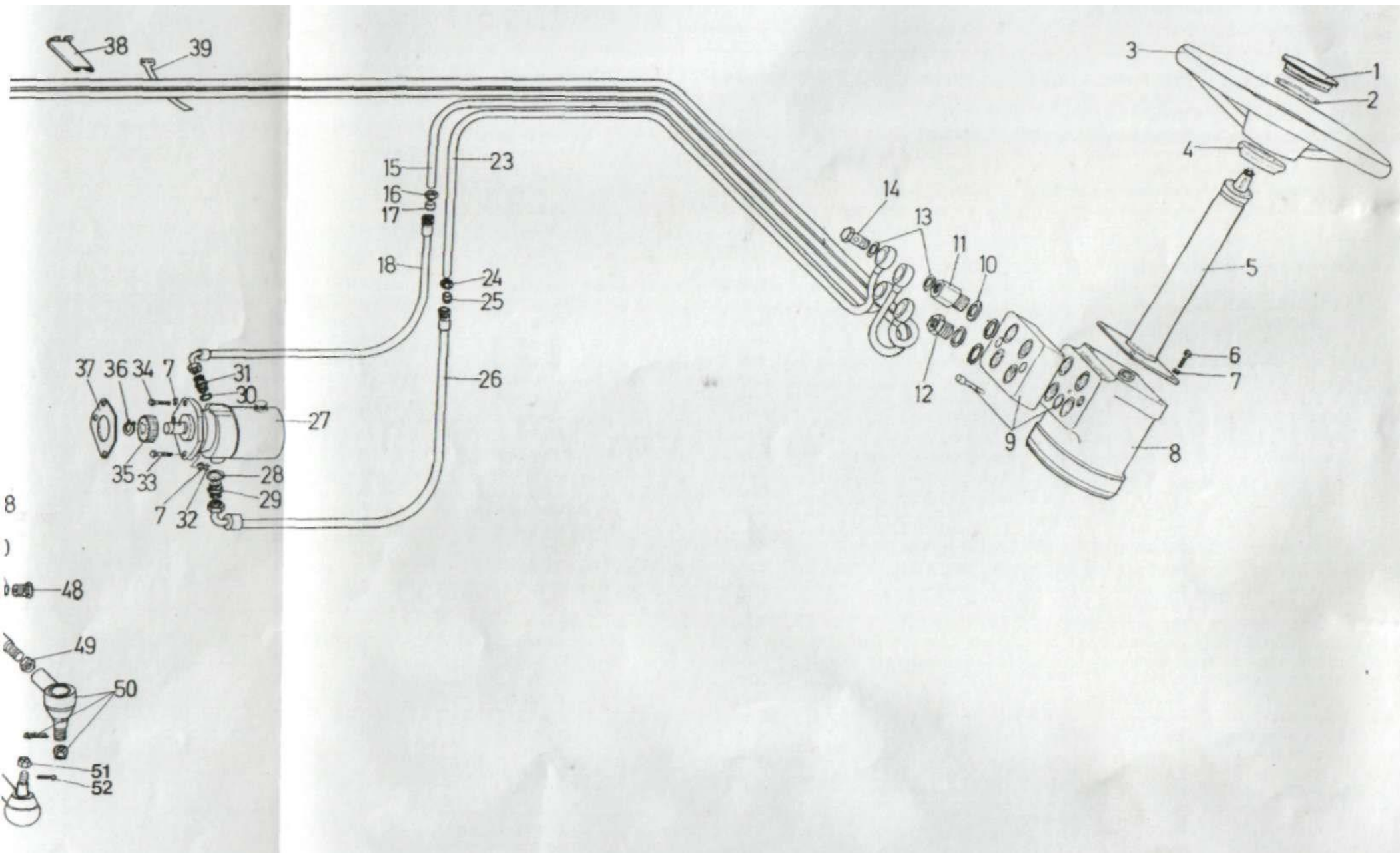
2 56005103 3
56005101
4 54005178
5 51501464
6 IS 2101-M10x25
7 IS 2281-10
8 51505980
9 51506010

JUS M.B1.120-M10x45

10 JUS M.C4.500-A22X27
11 51501347
12 51501346
13 JUS M.C4.500-A16x20
14 JUS M.B6.883-12
15 51508710
16 JUSM.B1.862-T12
17 JUSM.B6.716-T12
18 51500756
19 51508690 20 51508700 21 51500386 22 51500385 23 51508720
24 JUS M.B1.862-L12
25 JUS M.B6.716-L12
26 51500755
27 57505480
28 JUS M.C4.500-A16x22 29 JUS M.B6.720-A-L12M 30 JUS M.C4.500-A14x20
31 51500757
32 IS2171-M10
33 IS 2101 -M 10x45
34 IS 2101-M 10x65
35 57505472
36 JUSM.C2.401-15
37 57505002 38 51501661 39 51500148 40 51501459
41

SLIKA 19 - UPRAVLJAČ HIDROSTATICKI (DV) FIGURE 19 -
HYDROSTATIC STEERING (DV)
FIGURE 19 - DIRECTION HYDROSTATIQUE (DV)

FIGURA 19 - DIRECCION HIDROSTATICA (DV)



SLIKA 19 - UPRAVLJAČ HIDROSTATIČKI (DV)
FIGURE 19 - HYDROSTATIC STEERING (DV)

FIGURE 19 - DIRECTION HYDROSTATIQUE (DV)

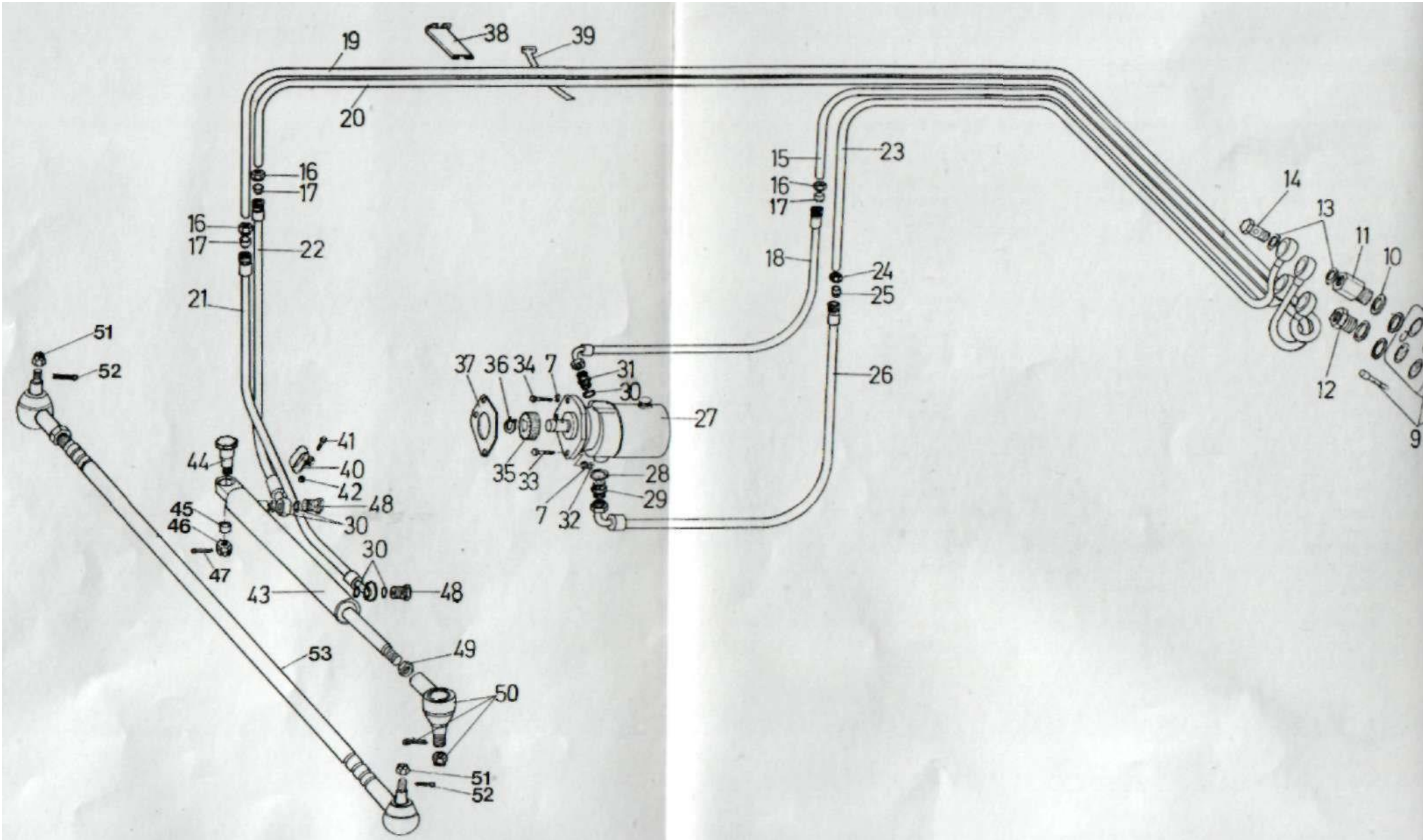


FIGURA 19 - DIRECCION HIDROSTATICA (DV)

Poz.
broj

Broj del a

SLIKA 19 - UPRAVUAČ HIDROSTATICKI (DV)
RGURE 19 - HYDROSTATIC STEERING (DV)
RGURE 19 - DIRECTION HYDROSTATIQUE (DV)
FIGURA 19 - DIRECCION HIDROSTATICA (DV)

Naziv

Description

Designation

Descripcion

Kom.

| | | | | | | |
|----|---------------------|------------------------|----------------------|---------------------------|-------------------------|---|
| | | Navrtka | Nut | Ecrou | Tuerca | 1 |
| | | Cilindar | Cylinder | Cylindre | Cilindro | 1 |
| | | Osovinica | Pin | ^xe | Perno | 1 |
| | | Čaura | Bushing | Bague | Buje | 1 |
| | | Navrtka | Nut | Ecrou | Tuerca | 1 |
| | | Rascepka | Cotter pin | Goupille fendue | Pasador doble | 1 |
| | | Vijak šuplji | Bolt | Boulon | Tornillo | 2 |
| | | Navrtka | Nut | Ecrou | Tuerca | 1 |
| | | Zglob | Joint | Joint | Articulacion | 1 |
| | | Obuhvata: | Includes: | Comprend: | Incluye: | |
| | | Rascepka | Cotter pin | Goupille fendue | Pasador doble | 1 |
| | JUSM.B1.635-M18x1,5 | Navrtka | Nut | Ecrou | Tuerca | 1 |
| 51 | JUSM.B1.632-M14x1,5 | Navrtka | Nut | Ecrou | Tuerca | 2 |
| 52 | IS 2291 -3x25 | Rascepka | Cotter pin | Goupille fendue | Pasador doble | 2 |
| 53 | 57511680 | Spona | Link | Manille | Eslabon | 1 |
| 42 | IS2171-M6 | | | | | |
| 43 | 51502180 44 | | | | | |
| | 51500199 | | | | | |
| 45 | 51500198 | | | | | |
| 46 | tS2182-M20x1,5 | | | | | |
| 47 | IS 2291 -4x32 | | | | | |
| 48 | JUS M.B6.883-10 | | | | | |

49 IS2175-M20x1,5
50 51500688

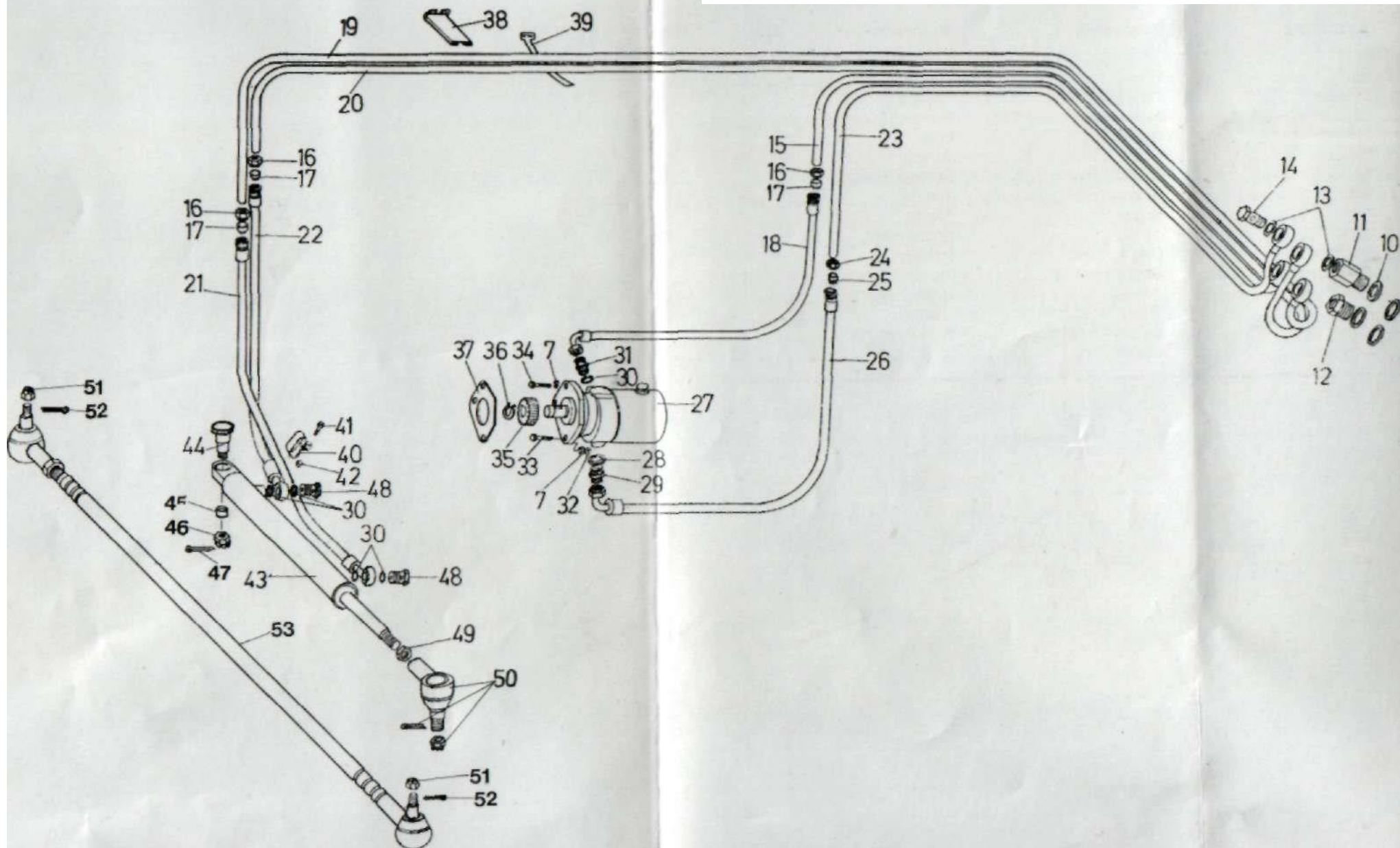
JUS M.B2.300-4x35

NAPOMENE: (A) Poručiti kao sklop br 57505470
NOTES: Order as assy No 57505470
NOTES: Commender comme ass No 57505470
NOTAS: Pedir como conjunto No 57505470

SLIKA 19/1 - UPRAVLJAČ HIDROSTATIČKI (DV) - ZF
FIGURE 19/1 - HYDROSTATIC STEERING (DV) - ZF

FIGURA 19/1 - DIRECCION HYDROSTATICA (DV) - ZF

SLIKA 19/1 - UPRAVLJAČ HIDROSTATIČKI (DV) - ZF
FIGURE 19/1 - HYDROSTATIC STEERING (DV) - ZF
FIGURE 19/1 - DIRECTION HYDROSTATIQUE (DV) - ZF
FIGURA 19/1 - DIRECCION HYDROSTATICA (DV) - ZF



SLIKA 19/1 - UPRAVLJAČ H1DR0STAT1ČK1 (DV) ZF
FIGURE 19/1 - HYDROSTATIC STEERING (DV) ZF
FIGURE 19/1 - DIRECTION HYDROSTATIQUE (DV) ZF
FIGURA 19/1 - DIRECCION HIDROSTATICA (DV) ZF

| Poz. | | | | Designation | Descripcion | Kom. |
|-------------|------------------|-------|-------------|-------------|-------------|------|
| broj | Broj dela | Naziv | Description | | | |

| | | | | |
|------------------|----------------------|-----------------|------------------|---|
| Znak zaštitni | Emblem | Embleme | Emblema | 1 |
| | Circlip | Epingle | Pasador elastico | 1 |
| | Steering wheel | Volant | Volante | 1 |
| Prsten gumeni | Collar | Bague en gomme | Aro de goma | 1 |
| Osovina volana | Steering column tobe | Colonne | Columna | 1 |
| Vijak | Bolt | Vis | Tornillo | 4 |
| Podloška el | Washer-flexible | Rondelle | Arandela | 4 |
| Podloška | Washer | Rondelle | Arandela | 4 |
| Razvodnik obrtni | Rotary control valve | Distributeur | Distribuidor | 1 |
| Zaptivka | Gasket | Joint | Junta | 4 |
| Priključak duži | Connector, long | Raccord | Conexion | 2 |
| Priključak kraći | Connector, short | Raccord | Conexion | 2 |
| Zaptivka | Gasket | Joint | Junta | 8 |
| Vijak šuplji | Bolt | Boulon | Tornillo | 4 |
| | Pipe | Tube | Caho | 1 |
| | Nut | Ecrou | Tuerca | 3 |
| Prsten usečni | Ring | Segment | Aro | 3 |
| Cev gumena | Hose | Tuyau | Manguera | 1 |
| Cev gumena | Hose | Tuyau | Manguera | 1 |
| Cev gumena | Hose | Tuyau | Manguera | 1 |
| Cev gumena | Hose | Tuyau | Manguera | 1 |
| Cev gumena | Hose | Tuyau | Manguera | 1 |
| Cev gumena | Hose | Tuyau | Manguera | 1 |
| Navrtka | Nut | Ecrou | Tuerca | 1 |
| Prsten usečni | Ring | Segment | Aro | 1 |
| Cev gumena | Hose | Tuyau | Manguera | 1 |
| Pumpa | Pump | Pompe | Bomba | 1 |
| Zaptivka | Gasket | Joint | Junta | 1 |
| Priključak | Connector | Raccord | Conexibn | 1 |
| Zaptivka | Gasket | Joint | Junta | 5 |
| Priključak | Connector | Raccord | Conexion | 1 |
| Navrtka | Nut | Ecrou | Tuerca | 1 |
| | Bolt | Vis | Tornillo | 1 |
| | Bolt | Vis | Tornillo | 2 |
| Zupčanik | Gear | Engranage | Engranaje | 1 |
| Prsten usečni | Ring | Segment | Aro | 1 |
| Zaptivka | Gasket | Joint | Junta | 1 |
| Profil gumeni | Rubber profile | Profil en gomme | Bureefe de goma | 1 |
| | Clamp | Collier | Abrazadera | 1 |
| Obujmica metalna | Clip | Collier | Abrazadera | 1 |
| | Bolt | Vis | Tornillo | 1 |
| | Nut | Ecrou | Tuerca | 1 |
| | Cylinder | Cylindre | Cilindro | 1 |

2 56005103 Osigurač žičani
3 56005101 Volan
4 54005178 5 51501998
6 JUS M.B1.054-M8x25
7 . IS 2281 -8 8 IS 2272-8
9 51501957
10 JUS M.C4.500-A 18x24
11 51502016 12 51502017
13 JUS M.C4.500-A16x2C
14 JUS M.B6.883-12
15 51502013 Cev
16 JUS M.B1 862-T12 Navrtka
17 JUS M.B6 716-T12
18 51500756 19 51502007 20 51502008
21 5J500387
22 51500515 23 51502014
24 JUS M.B1 862-L12
25 JUS M.B6 716-L12
26 51500755
27 (A) 57505480
28 JUS M.C4.500-A16x2I
29 JUS M.B6 720-A-L12N
30 JUS M.C4 500-A14x2C
31 51500757
32 IS2171-M10
33 IS 2101-M 10x45 Vijak 34 IS210I-M10x65 Vijak
35 (A) 57505472
36 (A) JUSM.C2.401-15
37 57505002 38 51501661
39 51500148 Stega
40 51501459
41 JUSM.B1.100-M6x15
Tip1
Vijak
42 IS2171-M6 Navrtka
43 51502180 Cilindar

SLIKA 19/1 - UPRAVLJAČ HIDROSTATIČKI (DV) - ZF
FIGURE 19/1 - HYDROSTATIC STEERING (DV) - ZF

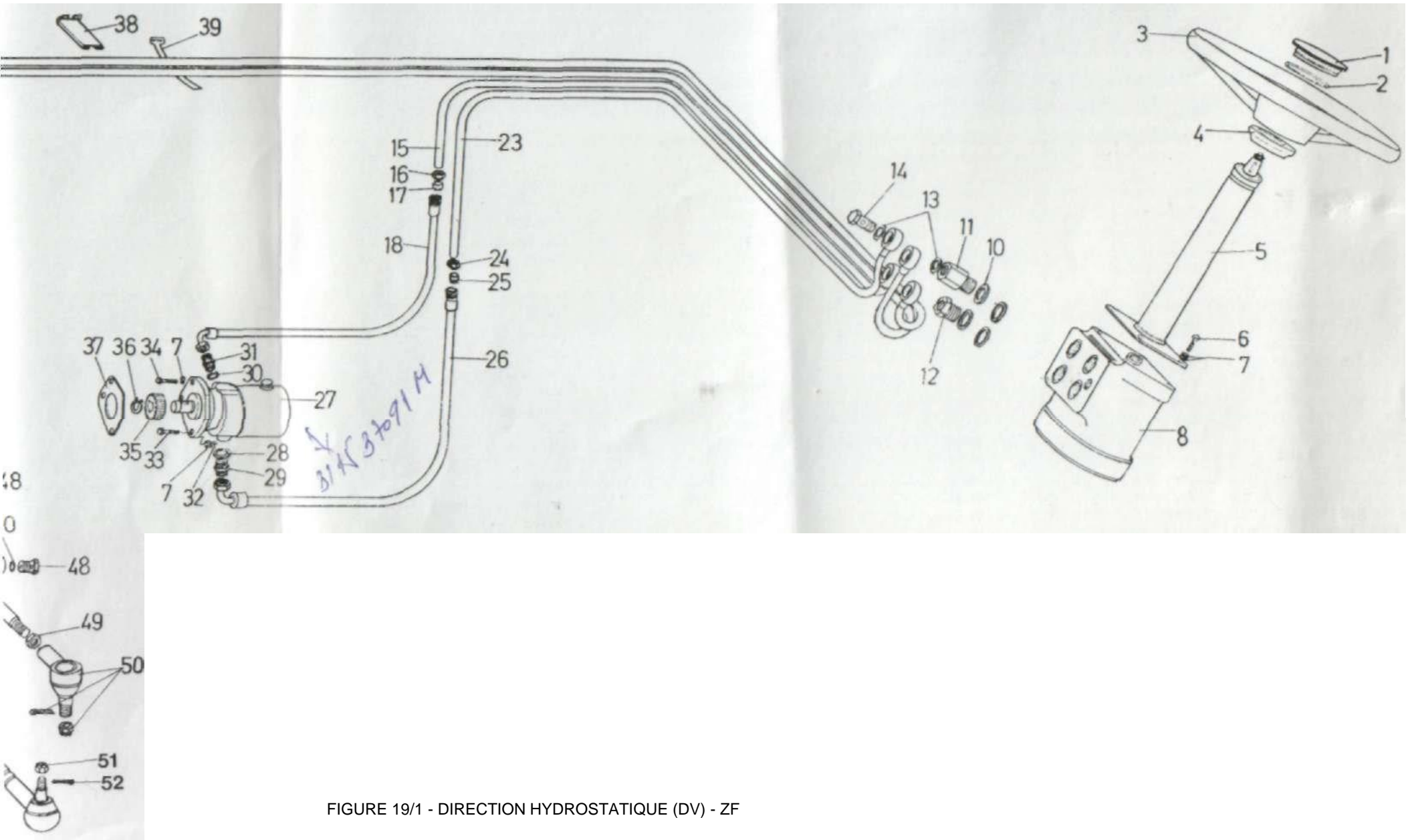
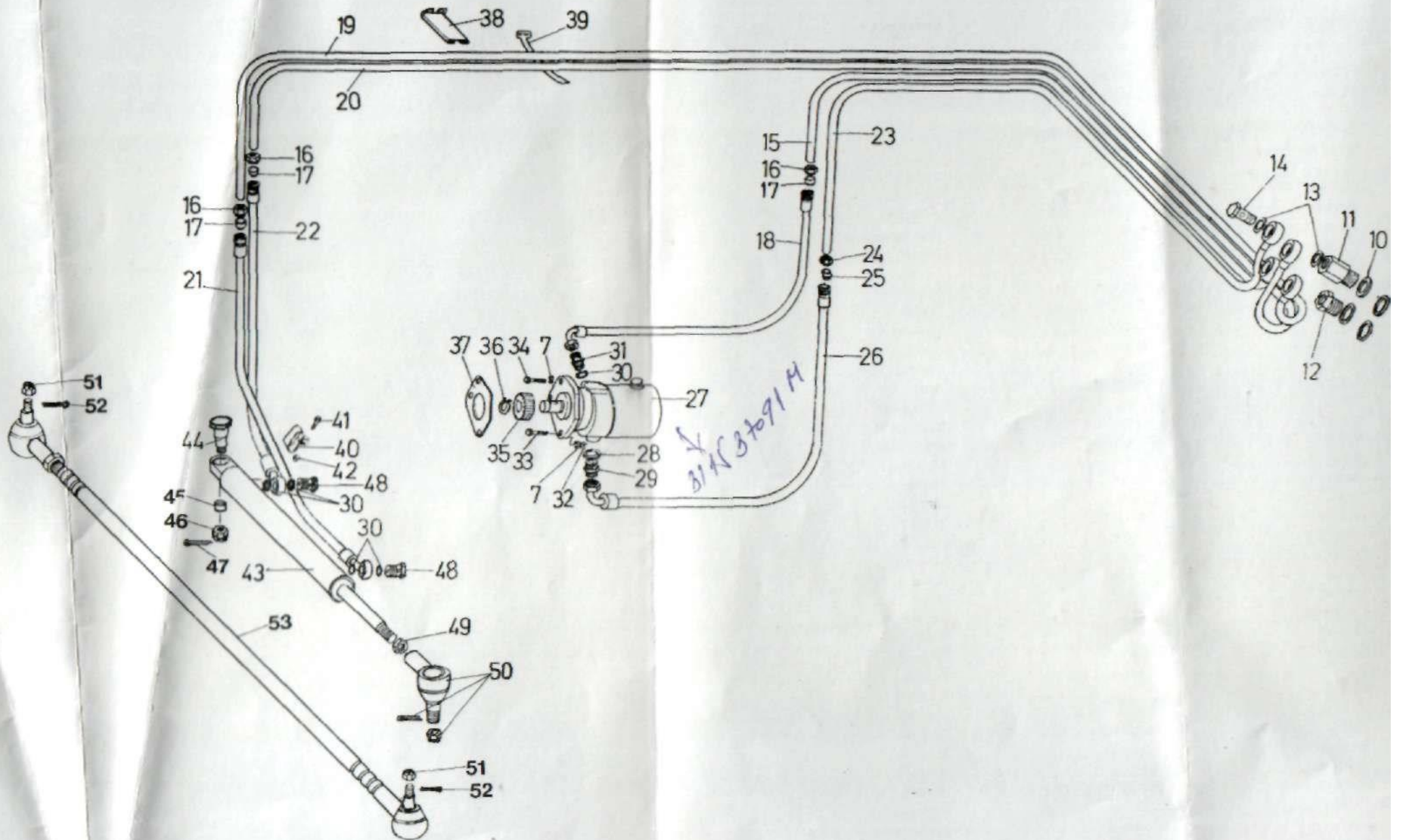


FIGURE 19/1 - DIRECTION HYDROSTATIQUE (DV) - ZF

FIGURA 19/1 - DIRECCION HYDROSTATICA (DV) - ZF

SLIKA 19/1 - UPRAVUAČ HIDROSTATIČKI (DV) - ZF
FIGURE 19/1 - HYDROSTATIC STEERING (DV) - ZF
FIGURE 19/1 - DIRECTION HYDROSTATIQUE (DV) - ZF
FIGURA 19/1 - DIRECCION HYDROSTATICA (DV) - ZF



Poz.
broj

Broj del a

SLIKA 19/1 - UPRAVLJAČ HIDROSTATICKI (DV) ZF
FIGURE 19/1 - HYDROSTATIC STEERING (DV) ZF
FIGURE 19/1 - DIRECTION HYDROSTATIQUE (DV) ZF FIGURA
19/1 - DIRECCION HIDROSTATICA (DV) ZF

Naziv

Description

Designation

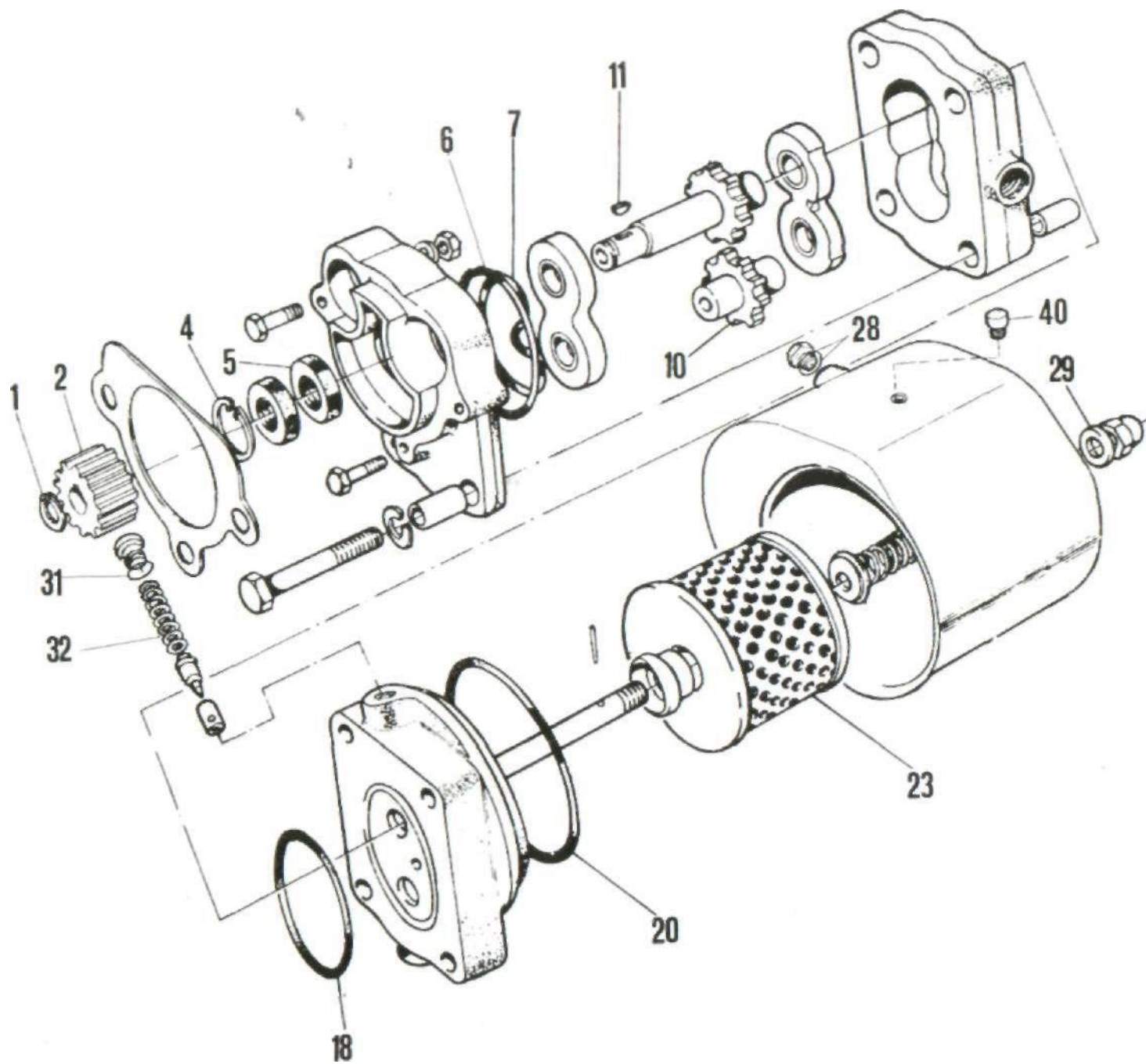
Descripcion

Kom.

| | | | | | | |
|----|---------------------|--------------|------------|-----------------|---------------|---|
| 44 | 51500199 | Osovinica | Pin | Axe | Perno | 1 |
| 45 | 51500198 | Čaura | Bushing | Bague | Buje | 1 |
| 46 | IS2182-M20X1.5 | Navrtka | Nut | Ecrou | Tuerca | 1 |
| 47 | IS 2291-4x32 | Rascepka | Cotter-pin | Goupille fendue | Pasador doble | 1 |
| 48 | JUS M.B6.883-10 | Vijak šuplji | Bolt | Boulon | Tornillo | 1 |
| 49 | IS2175M20x1.5 | Navrtka | Nut | Ecrou | Tuerca | 1 |
| 50 | 51500688 | Zglob-sklop | Joint-Assy | Joint, ass | Articulacion | 1 |
| | | Obuhvata | Includes: | Comprend: | Incluye: | |
| | JUS M.B2.300-4x35 | Rascepka | Cotter pin | Goupille fendue | Pasador doble | 1 |
| | JUSM.B1.635-M18X1. | Navrtka | Nut | Ecrou | Tuerca | 1 |
| 51 | JUS M.B1.632-M14X1. | Navrtka | Nut | Ecrou | Tuerca | 2 |
| | IS 2291-3x25 | Rascepka | Cotter pin | Goupille fendue | Pasador doble | 2 |
| 53 | 57511680 | Spona | Link | Manille | Eslabdn | 1 |

NAPOMENE: (A) Poručiti kao Sklop br 575054 70
NOTES: Order as assy No 57505470
NOTES: Commender comme as No 57505470
NOTAS: Pedir como conjunto No 57505470

SLIKA 20 - PUMPA UPRAVLJAČA
FIGURE 20 - STEERING PUMP
FIGURE 20 - POMPE DE DIRECTION
FIGURA 20 - BOMBA DE DIRECCION



SLIKA 20 - PUMPA UPRAVLJAČA
 FIGURE 20 - STEERING PUMP FIGURE
 20 - POMPE DE DIRECTION
 FIGURA 20 - BOMBA DE DIRECCION

| Poz. | Descripcion | Kom. broj | Broj dela | Naziv | Description | Designation | |
|------|-----------------|-----------|--------------------------------|-------------------------------|----------------------|-----------------------|---|
| | 57505470 | | Pumpa upravljača - sklop . . . | Steering pump, assy | Pompe, ass | Bomba, conj | 1 |
| 1. | JUSM.C2.40-15 | Uskočnik | | Circlip | Circlip | Aro reten | 1 |
| 2 | 57505472 | Zupčanik | | Gear | Engranage | Engranaje | 1 |
| 4 | JUS M.C2.400-30 | Uskočnik | | Circlip | Circlip | Aro reten | 1 |
| | | | | Seal | Joint | Reten | 2 |
| 5 | (A)1086925 | Simering | | „0“-ring | Joint | Junta | 1 |
| 6 | (A) 3452216 | Zaptivka | Segmentni klin | Segment key | Clavette | Chaveta | 1 |
| 7 | (A) 3452208 | Zaptivka | Zaptivka | O-ring | Joint | Junta | 1 |
| | | | | O-ring | Joint | Junta | 1 |
| 11 | 1846344 | | | Filter | Filtre | Filtro | 1 |
| 18 | (A) 1346410 | | | Bolt | vis | Tornillo | 1 |
| 20 | (A) 1579515 | Zaptivka | Zaptivni prsten | Sealing ring | Joint | Junta | 1 |
| 23 | 1583061 | Filter | Zaptivni prsten | Sealing ring | Joint | Junta | 1 |
| 28 | 2083624 | Vijak | Zaptivka | Gasket | Joint | Junta | 1 |
| 28 | 1841410 | | Opruga | Spring | Ressort | Resorte | 1 |
| 29 | (A) 1348952 | 31 | Oduška | Breather | Bouchon | Tapon | 1 |
| | | | | | | | |
| 32 | 1611474 | | | | | | |
| 40 | 1670900 | | | | | | |

NAPOMENE :

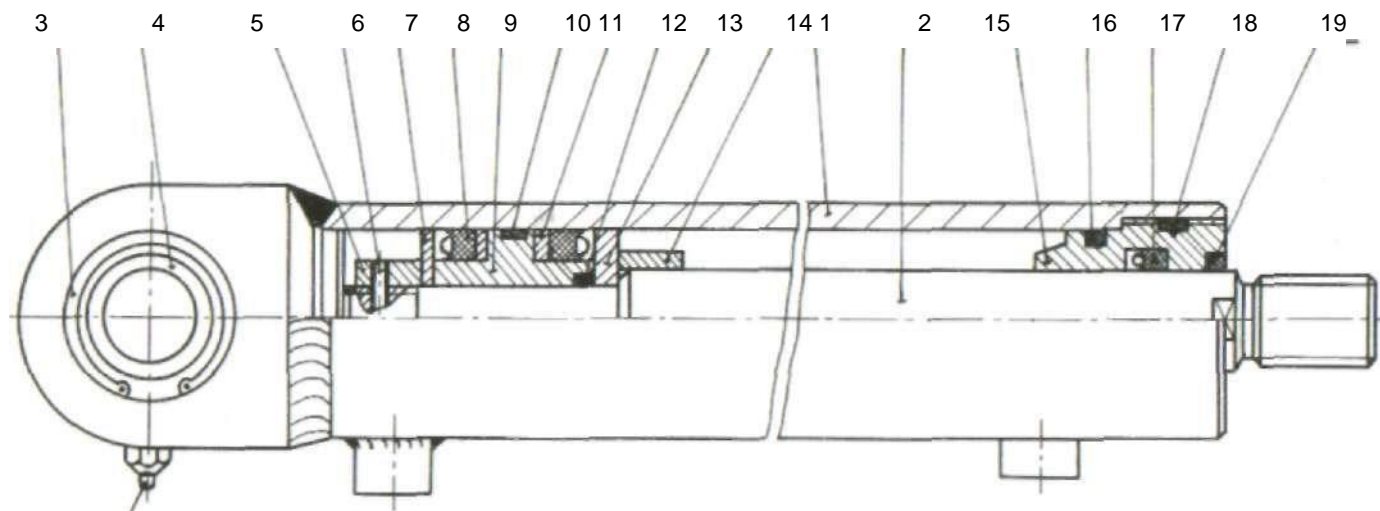
NOTES :

NOTES :

NOT AS :

(A) Set zaptivki br 7677685
 Gasket kit No 7677685 Jen des
 joints No 7677685
 Juego de juntas No 7677685

SLIKA 21 - CILINDAR UPRAVLJAČA
FIGURE 21 - STEERING CYLINDER
FIGURE 21 - CYLINDRE DE DIRECTION
FIGURA 21 - CILINDRO DE DIRECCION



21/

SLIKA 21 - CILINDAR UPRAVLJAČA
FIGURE 21 - STEERING CYLINDER
FIGURE 21 - CYLINDRE DE DIRECTION FIGURA
21 - CILINDRO DE DIRECCION

| Poz. broj | Broj dela | Naziv | Description | Designation | Descripcion | Kom. |
|----------------------|-------------|--------------|-------------|-------------|-------------|-------------|
| | (A) 6850283 | | | | | |

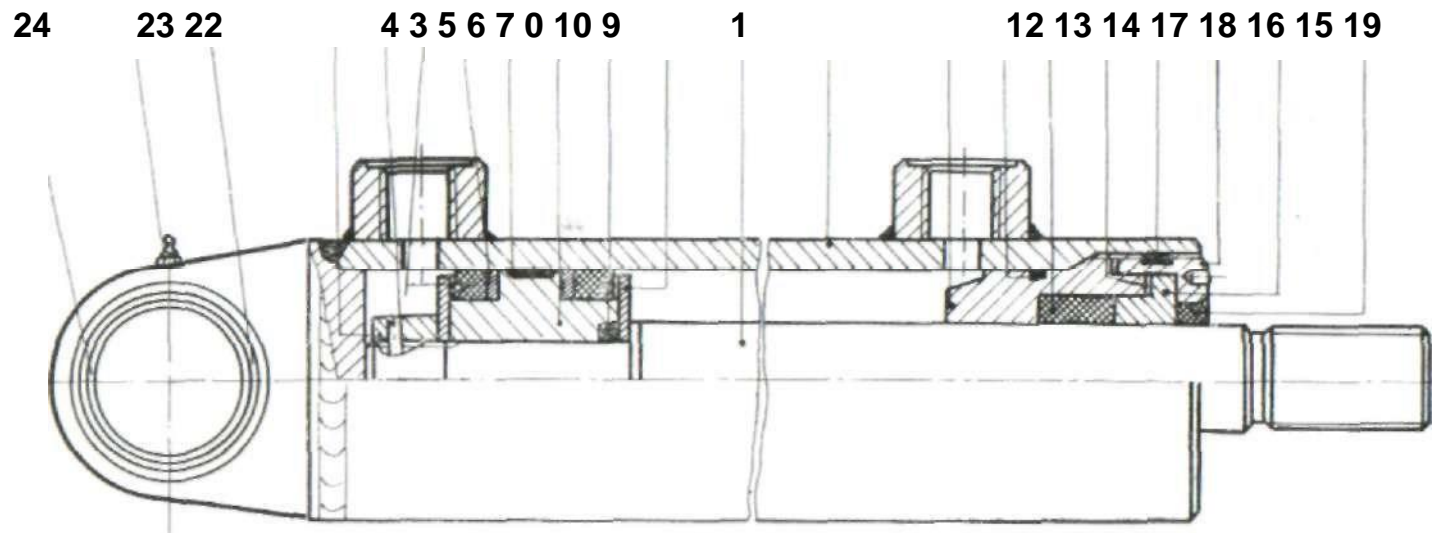
| | | | | | | |
|----|--|-------------------------------|-----------------------------|----------------------------------|-------------------------------|----|
| 1 | (73-247100/1) 6850275 | Cilindar - sklop | Cylinder, Assy | Cylindre, ens | Cilindro, ens | .1 |
| 2 | (73-247101/1) 6850275 | Cilindar - podsklop | Cylinder, Subassy | Cylindre, subens | Cilindro, subens | .1 |
| 3 | (73-247102/1) 1088780 | Klipnjača | Connecting rod | Bielle | Bela | .1 |
| 4 | (JUS M.C2.400-42) 2308740 | Uskočnik | Snap ring | Circlip | Tope del pasador | 2 |
| 5 | (GE 25 ES-2RS) 1576164 | Ležaj „SKF“ | Bearing "SKF" | Bague "SKP | Cojinete "SKF"» | .1 |
| 6 | (73-33606) 1087741 | Navrtka | Nut | Ecrou | Tuerca | .1 |
| 7 | (JUS M.C2.230-3x24) 1596402 (73-1325) | Čivija 3x24 | Pivot 3x24 | Goupille 3x24 | Pasador 3x24 | .1 |
| 8 | (B) 1300078 | Zaštitni prsten | Retaining ring | Ring | Anillo protector | .1 |
| 9 | (FS1.0347-40) 1596410(73-1327) | Zaptivni komplet | Gasket set | Joint | Junta, juego | 2 |
| 10 | (B) 1596428 (73-1328) | Klip | Piston | Piston | Piston | .1 |
| 11 | (B) 1596568 (73-1326) | Klizni prsten | Sliding ring | Bague | Anillo deslizante | .1 |
| 12 | (B) 1345289 | Potporni prsten | Retaining ring | Bague d'appui | Anillo de soporte | 2 |
| 13 | (FS1.0002-14,3x2,4) 4421004 | „O“ prsten 14,3x3,4 | „O“ring 14,3x2,4 | „O“ bague 4,3x2,4_____ | Anillo "O" 14,3x2,4 | .1 |
| 14 | (73-178605) 6850309 | Držač | Frame | Support | Marco | .1 |
| 15 | (73-247105/1) 5806120 | Caura | Bush | Bague | Buje | .1 |
| 16 | (B) 1341718 | Vodica, podsklop | Guide, Subassy | Support, subens | Guia, subens | .1 |
| 17 | (FS 1,0002-34,2x3) 1317916 | „O“prsten 34,2x3 | "O"ring 34,2x3 | "C"bague 34,2x3 | Anillo "O" 34,2x3 | .1 |
| 18 | (FS 1,0402-22) 1601152 | Manžeta | Seal ring | Joint | Anillo de selio | .1 |
| 19 | (73-42913) 2307411 | Osigurač | Tab washer | Anneau | Asegurador | 1 |
| 20 | (B) 1097088 | Brisač | Wiper | Bague | Leva | .1 |
| 21 | (FS 1.0490-22) 1097088 | Mazalica | Greaser | Graisneur | Engrasador | .1 |
| | (JUS M.C4.613-AM8X1) | | | | | |

NAPOMENE:
NOTES:
NOTES:
NOTAS:

(A) Proizvod „PPT“ - Trstenik. IMT broj 51509050.
Product of "PPT" - Trstenik IMT N9 51509050.
Produit de "PPT" - Trstenik, IMT Ns 51509050
Producto de "PPT" - Trstenik, IMT N? 51509050

(B) Set zaptivki br. 7677834 Gasket kit
No 7677834
Jeu des joints No 7677834
Juego de iuntas No 7677834

SLIKA 22 - CILINDAR UPRAVLJAČA (DV)
FIGURE 22 - STEERING CYLINDER (DV)
FIGURE 22 - CYLINDRE DE DIRECTION (DV)
FIGURA 22 - CILINDRO DE DIRECCION (DV)



| Poz. | broj | Broj dela | Naziv | Description | | | | | |
|------|--------------------|---------------------|-------------|-------------------------|----------------------|----|-------------------------|------|------|
| | | | | | | | | 432) | |
| | | | | Connecting rod | Bielle | 8 | 2459774 | | |
| | | | | | | | (73-33632/V) | | Klip |
| | | | | Cilindar, podsklop | Cylinder | 9 | 1677905 | | |
| | | | | | Cylindre, sous-ens | | (73-112810) | | |
| | (A) | 3468451 | Čivija 3x24 | Pivot 3x24 | Goupille 3x24 | 10 | (B) 1345339 | | |
| | | (73-163000) | Navrtka | Nut | Ecrou | 12 | (FS1-0002) | | |
| | | | | | | | 1673011 | | |
| | | | | Set zaptivnih prstenova | Ring, assy, "Merkel" | | Complet des segments | | |
| 1 | | 3468469 | | | "Merkel" | | | | |
| | | (73-163001) | | | | | | | |
| | | | | Potporni prsten | Ring | | Bague d'appui | | |
| 2 | | 3468477 | | | | | | | |
| | | (73-163002) | | Vodeći prsten | Ring | | Bague de guide | | |
| 3 | | 1086641 | | | | | | | |
| | (JUSM.C2.230-3x24) | | | | Piston | | Piston | | |
| 4 | | 1677897 | | | | | | | |
| | | (73-112809) | | Držać manžetne | Frame | | Porte-manchette | | |
| 5 | | (B) 1300086(G11-50) | | O-prsten 16,3x2,4 | O'-ring 16,3x2,4 | | Joint torique | | |
| | | | | | Guide | | Guide | | |
| | | | | Zaptivka 44,2x3P80 | Gasket 44,2x3P80 | | Joint 44,2x3P80 | | |
| | | | | Zaptivni set manžeta | Gasket set | | Complet des manchettess | | |
| | | | | „Merkel“ | "Marker | | | | |
| | | | | | Bush | | Bague | | |
| | | | | | Nut | | Ecrou | | |
| | | | | | Ring | | Bague | | |
| | | | | | Tab washer | | Bague a assurer | | |
| | | | | Brisač 25x33 | Wiper 25x33 | | Essuyeur 25x33 | | |
| | | | | | Circlip | | Circlip | | |
| | | | | | Greaser | | Graisseur | | |
| | | | | „Merkel“ | Bearina | | Roulement | | |
| 6 | | (B) 1611946 | | | | | (73 | | (|
| | | (73-33631) | | | | | - | | |
| | | 161HIH/ | | | | | 33 | | |
| 7 | | | | | | | - | | |

111404) Vodica 13 (B)1341767
 (FS 1-0002) 14 (B) 1847388
 (E1 25-5)
 15 1673029
 (73-111405) Čaura 16
 1673037
 (73-111406) Navrtka
 17 1677863
 (73-112806) Prsten
 18 1569326
 (73-30014) Osigurač
 19 (B) 2331528
 (FS 1-0490)
 22 1088780
 (JUSM.C2400-42) Uskočnik 23 •
 1097088
 (JUSM.C4613-AM8x1) Mazalica
 24 1092873(GE25ES) Ležaj

NAPOMENE: (A) Proizvod „PPT“, IMT broj 51502180
NOTES- Product of "PPT". IMT Ne 51502180
NOTES: Produit de "PPT", IMT No 51502180
NOTAS: Producto de "PPT". IMT N? 51502180

Designation

Cylinder-ens Dese ripe i on **Kom.**

Cilindro - ensamble 1

Biela1

Cillindro, subensamble.... 1

Oavija 3x24 1
 Tuerca

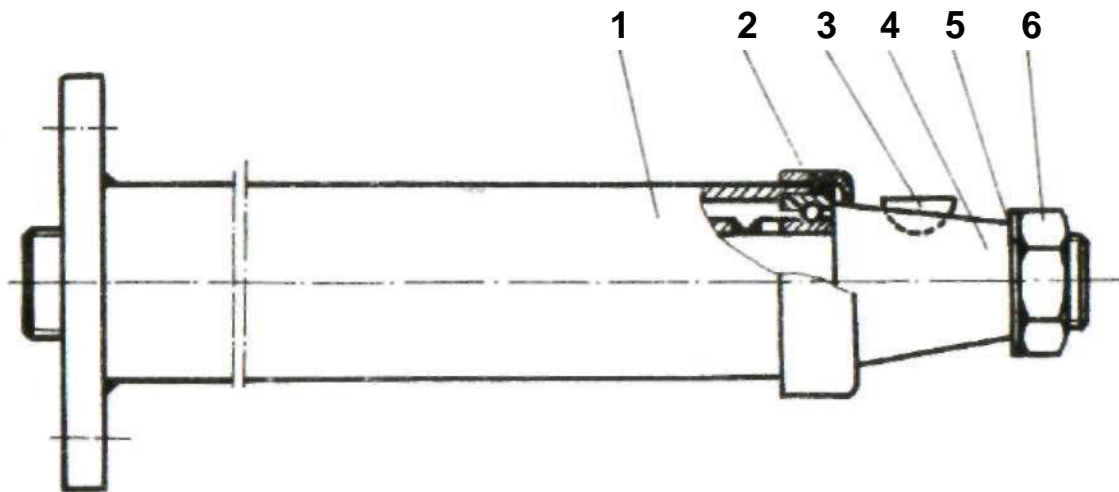
 1

Juego de
 anillos
 "Merkel".. 1

Anillo1
 Anillo1
 Piston1
 Marco2
 Aro selio1
 Guia1
 Junta 44,2x3P801
 Juego de juntas1
 Buje1
 Tuerca1
 Anillo1
 Asegurador1
 Leva 25x331
 Tope del pasador1
 Engrasador1
 Cojinete1

SLIKA 22 - CILINDAR UPRAVLJAČA (DV)
 FIGURE 22 - STEERING CYLINDER (DV)
 FIGURE 22 - CYLINDRE DE DIRECTION (DV)
 FIGURA 22 - CILINDRO DE DIRECCION (DV)

SLIKA 23 - STUB UPRAVUJAČA
FIGURE 23 - STEERING COLUMN TUBE
FIGURE 23 - COLONNE DE DIRECTION
FIGURA 23 - EJE DE DIRECCION



SLIKA 23 - STUB UPRAVLJAČA
 FIGURE 23 - STEERING COLUMN TUBE
 FIGURE 23 - COLONNE DE DIRECTION
 FIGURA 23 - EJE DE DIRECCION

Čaja de
 cartucho 1

| Poz. | Description | Designation broj | Broj dela | Naziv | |
|------------------|------------------|---------------------|-------------------------------------|----------------------|----------------------|
| | (A) 5313754 | | | | |
| | (139-0650) | Stub upravljača . . | | Steering column tube | Colonnede direction |
| 1 | 5313788 | | | | |
| | (139-0651) | Omotač Steering | | column tube. | Tube |
| 2 | 5105978 | | | | Guardapolvo 1 |
| | (139-0605) | Prahobran | | Dust guard | Protection |
| 3 | 5288071 | | | | Uave 5x6,5 1 |
| | (JUS M.C2050- | | | | |
| | -5x6,5) | Klin 5x6,5 | | Key 5x6,5 | Clavette 5x6,5 |
| 4 | 5313846 | | | | Mandril de direccion |
| | (139-0653) | Vreteno upravljača | | Spindle Axe de | direction |
| 5 | 4400321 | | | | Arandela A18 |
| | (JUSM.B2011-A18) | Podloška A18 | | | Washer A18 |
| | | RondelleA18. | | | Tuerca M 18x1,5 |
| 6 | 2307528 | | | | |
| | Description | Kom. | (JUS M.B1.605- | | |
| | | | -M 18x1,5) | Navrtka M18x1,5 | Nut M 18x1,5 |
| | | | Ecrou M 18x1,5 | | |
| Eje de direccion | 1 | NAPOMENE: | (A) Proizvod PPT. IMT broj 51506000 | | |
| | | NOTES: | Product of PPT. IMT No. 51506000 | | |
| | | NOTES: | Produrt PPT IMT No 51506000 | | |
| | | NOTAS: | Producto de PPT. IMT No 51506000 | | |

SLIKA 23/1 - STUB UPRAVLJAČA (ZF)
FIGURE 23/1 - STEERING COLUMN TUBE (ZF)
FIGURE 23/1 - COLONNE DE DIRECTION (ZF)
FIGURA 23/1 - COLUMNA DE DIRECCION (ZF)

